

Miniature Banana Jack Insulated Rib-Loc® Turret Terminal



INCHES (MILLIMETERS)
CUSTOMER DRAWINGS AVAILABLE UPON REQUEST

SPECIFICATIONS

Contact: Brass per QQ-B-626D

Finish: Silver

Insulated Handle: Nylon 6/6 per ASTM D4066

Panel Thickness: Up to .313 (80)

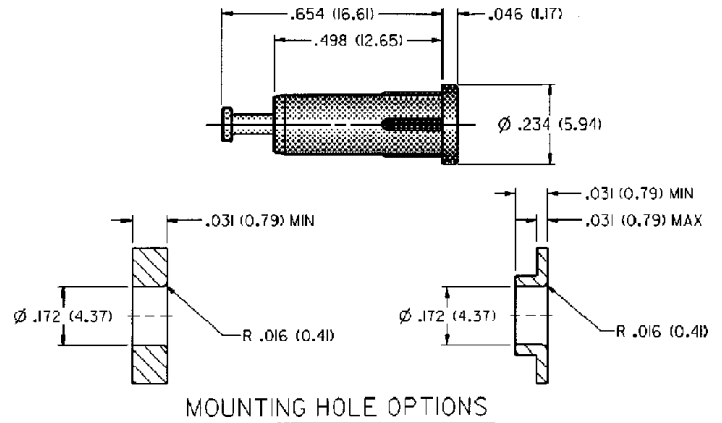
RATINGS

Current: 10 amps

Breakdown Voltage: 3500 Vrms minimum

Contact Resistance: 0.010 ohms maximum

Contact-To-Panel C: 2.4 pF nominal



SILVER PLATING	
108-1103-001	Black

For Miniature Banana Plug: .120 (3.00) Across Flats

FEATURES:

- Hardwareless Rib-Loc® mounting design
- Nylon UL approved for self extinguishing