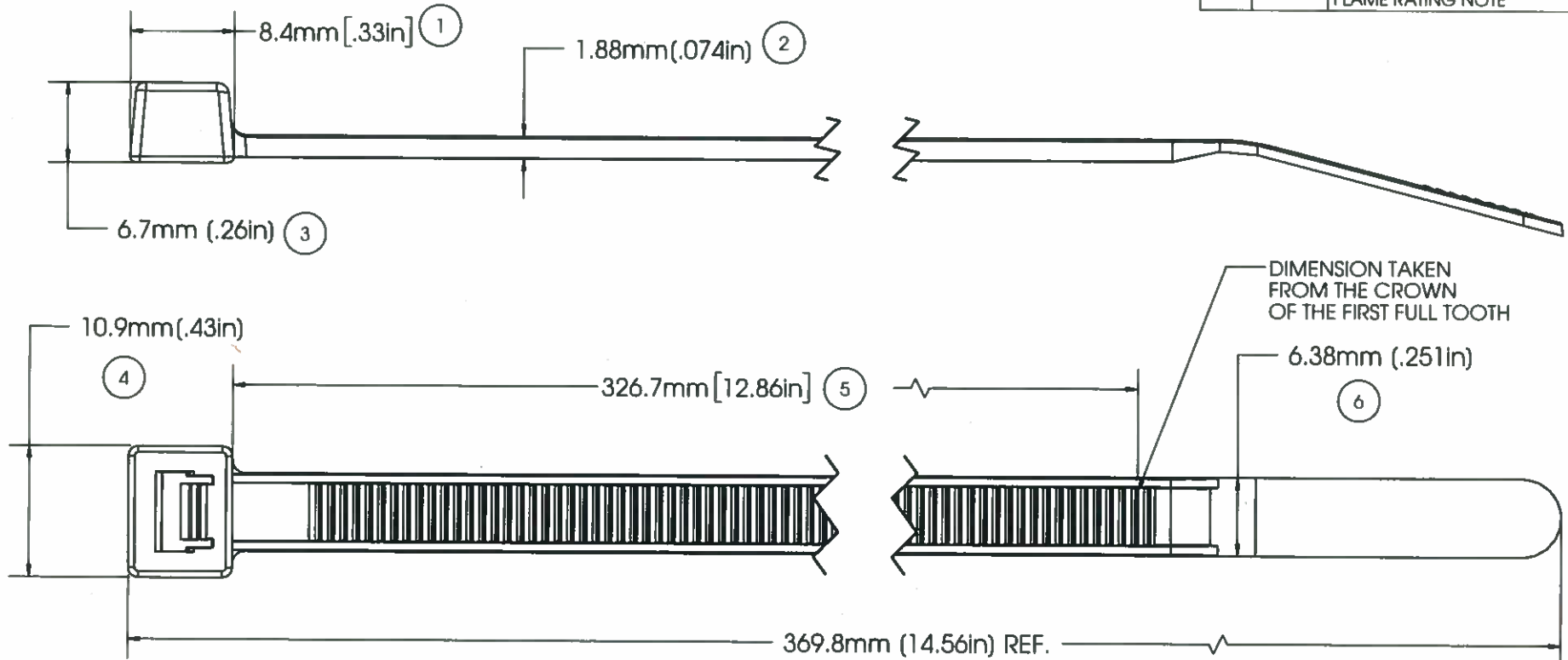


EVERY DENNISON MARKETING SPECIFICATION

THE SUBJECT MATTER DISCLOSED HEREIN EMBODIES PROPRIETARY INFORMATION WHICH IS THE CONFIDENTIAL PROPERTY OF THE EVERY DENNISON CO. NONE OF WHICH SHALL BE COPIED, REPRODUCED, DISCLOSED TO OTHERS, PUBLISHED OR USED IN WHOLE OR IN PART, FOR ANY PURPOSE OTHER THAN THAT FOR WHICH IT IS BEING MADE AVAILABLE WITHOUT THE EXPRESS ADVANCE WRITTEN PERMISSION OF A DULY AUTHORIZED AGENT OF THE COMPANY. THIS DOCUMENT IS THE PROPERTY OF THE EVERY DENNISON CO. AND IS TO BE RETURNED TO THE COMPANY ON DEMAND.

HISTORY

REV.	DATE	DESCRIPTION
J	11.04.13	UPDATE FORMAT, CHG DIM LOCATION OF DIM 1; UPDATE BALLOON 5
K	12.16.14	CHG DIM 5 AND ADDED NOTE TO DIM 5; ADDED UL LOGO AND FLAME RATING NOTE



DIMENSION TAKEN FROM THE CROWN OF THE FIRST FULL TOOTH



NOTE: THESE CABLE TIES ARE PLENUM RATED AND HAVE A FLAMMABILITY RATING OF V-2

LOOP TENSILE STRENGTH:	120 LBF /534N MIN. PER AS-23190
OPERATING TEMP:	-40°F(-40°C) TO 221°F (105°C)
MIN. INSTALLATION TEMP:	32°F(0°C)
WEIGHT:	.155 OZ./4.58g
BUNDLE DIAMETER:	Ø 4.7mm(.19in) TO Ø 101.6mm(4.00in)
TOOL:	12001 - HAND INSTALLATION TOOL 12500 - PNEUM. INSTALLATION TOOL
TOOL TENSION SETTING:	6 - 8 ON HEAVY DUTY TOOL
PACKAGING:	100/BAG, 1000/CASE

APPROVALS: ENG. APPR. *[Signature]* 12/16/14
Q.A. APPR. *[Signature]* 12/16/14

SPECIFIED TOLERANCES ARE:	
.XX ± .03 IN.	.X ± .7 MM
.XXX ± .010 IN.	.XX ± .25 MM
ANGULAR: ± 2°	

MATERIAL	NYLON 6/6 HEAT STABILIZED,
COLOR	BLACK

EVERY DENNISON <small>FASTENER DIVISION FITCHBURG, MA 01420 U.S.A. TEL. 1-800-225-5913 FAX. 978-353-8157</small>	DESCRIPTION	14.5" CABLE TIE, HEAVY DUTY
	STOCK NO.	08403-0
	REV.	K

5 4 3 2 1