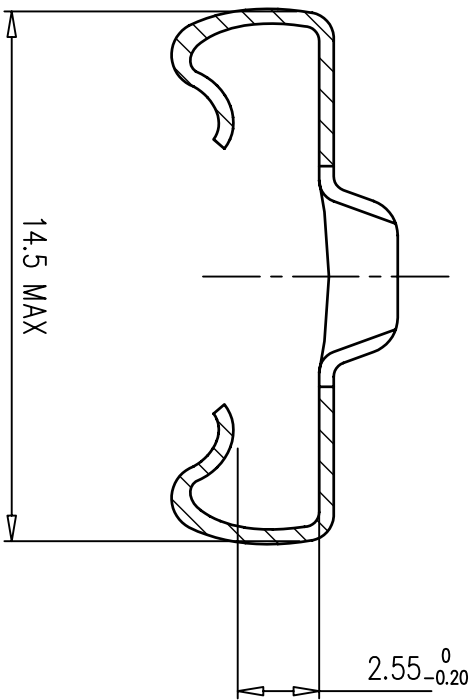
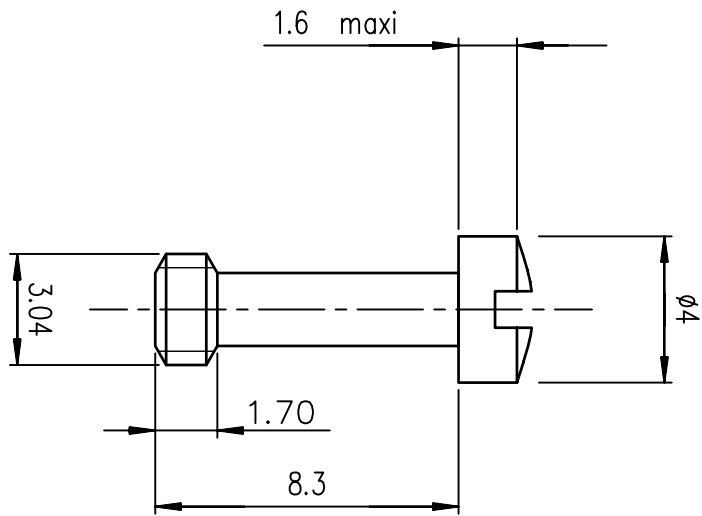
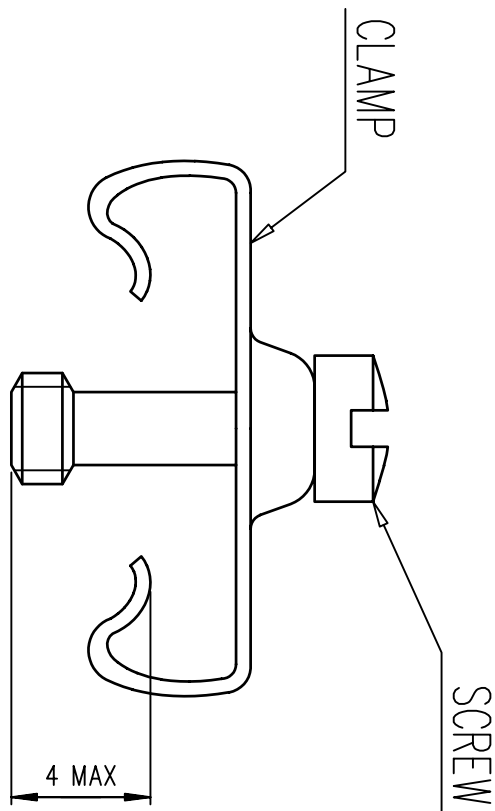


NOTES

Pieces assembly
 Packaging : per 100 piece
 Material : steel
 Plating : tin
 Thread : UNC 4.40



VIEW ASSEMBLY



Part number **863009ATLF**

European Views

NOTE:ROHS INFORMATIONS

- The "LF" products meet European union Directives and other country regulations as described in GS-22-008.
- Plating Sn (pure bright) over copper
- Packaging spec: see GS-14-920

rev	ecn no	dr	date
A	-	JAR	1999/07/05
B	LS05-0026	MPE	2005/07/08
C	LS06-0097	LGO	2006/07/28
D	LS09-0006	PCR	2009/01/08
E	ELX-H-011663	PK	2012/05/09
F	ELX-H-011686	PK	2012/05/21

www.fciconnect.com		surface ISO 1302		tolerance std ISO 406 ISO 1101		projection		Scale	
Dr	JARRY	1999/07/05	ANGULAR	0.X	±0.1	mm	mm	A3	5
Eng	PESSON	1999/07/05	LINEAR	0.XX	±0.1				
Chr	LEGARE	1999/07/05	TOLERANCES UNLESS OTHERWISE SPECIFIED		Product family				
Appr	LEGARE	1999/07/05	Product family		D-SUB		Spec ref -		
FCI logo		MALE SCREW LOCKS		9 a 37 pts (P et S)		Rev.		F	
catalog no		-		CUSTOMER		sheet		1 of 1	