

## ConverterPAC Description

ConverterPACs are the family of slide-in output assemblies used in [MegaPAC power supplies](#). There are currently 12 ConverterPACs available for use. Most ConverterPACs of the same length are interchangeable within a MegaPAC and between different AC input MegaPAC chassis. They can be added, moved, or changed as necessary. The type of ConverterPAC used in this slot is a DualQPAC.

### DualQPAC (LD)

The DualQPAC output assembly consists of two [1st Gen VI-J00 DC to DC converters](#) that provide two isolated output voltages. DualQPACs can provide up to 100 Watts of output power from each output. The DualQPACs are fused with a PC-Tron, DC-rated, fast-acting fuse. An active preload ensures the DC to DC converter operates in its highest noise performance range. As the load on the module increases, the preload removes itself from the circuit. Ripple and common mode noise filters on the output reduce ripple under any load conditions to 10mV p-p or 0.15% whichever is greater. On DualQPACs, the customer has access to the Trim pin on the module and can adjust the output voltage using an external circuit. OVP and OTL is not available. Please note that for the DualQPAC the output voltage from either output terminal to chassis should not exceed 100 Vdc, or peak. DualQPACs can only be used in the extended length MegaPACs.



Newer DualQPACs have Autosense. This feature automatically locally senses the output if remote sense is not used. To check if an output has the Autosense feature, measure the impedance from the + Out to + Sense and - Out to - Sense pins. If the impedance is 5 ohms, then the output has Autosense and does not require local sense jumpers. If a unit does not have Autosense, sense connections must be made. For further technical information about ConverterPACs, contact Applications Engineering at 1-800-927-9474.

## Options available for DualQPAC

### OPTIONS<sup>+</sup>

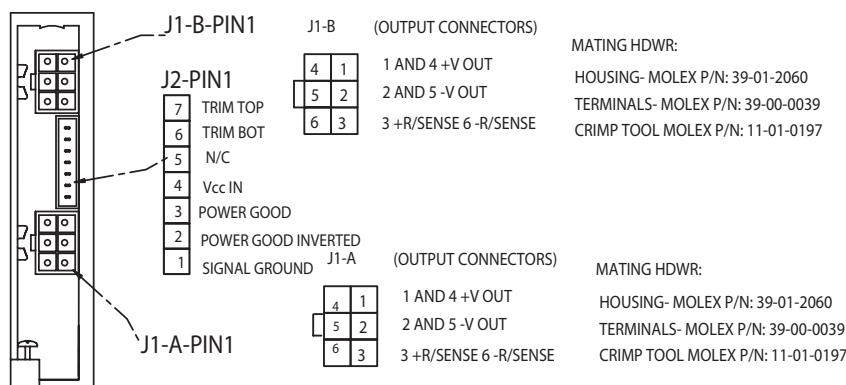
- D Power Good
- T<sup>+</sup> Trim +/-10%
- F<sup>+</sup> Trim: +10%/-50%

### AVAILABILITY

- OPTIONAL
- NOT AVAILABLE
- NOT AVAILABLE

<sup>+</sup> The customer has access to the Trim pin on the module and can adjust the output voltage using an external circuit.

## DualQPAC Output and Connector Pin Identification



Output connector kits (optional) for your MegaPAC supply are available for purchase from Westcor:

	Part Number
Single phase input	19-130040
Three phase input	19-130041
DualQPAC output	19-130042

For more details about any Westcor products, contact the factory at 1-800-735-6200 or go to our website at

[www.vicorpower.com](http://www.vicorpower.com)

