

**CF FUSE RATED 58V**



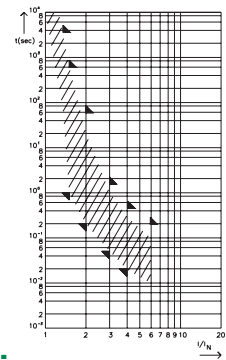
**Specifications**

Insulating Body: Out of ceramic  
 Cover: Out of thermoplast (UL 94-V0, heat resistant)  
 Visible melting-element  
 Interrupting Rating: 2,000A @58 VDC  
 Complies with: ISO 8820-6  
 DIN 72581-5  
 UL 248 Special Purpose Fuses  
 cULus Recognized: File No. E211637

**Ordering Information**

Part Number	Package Size
155.0892.xxx1	100

**Pre-Arcing Time-Limits**



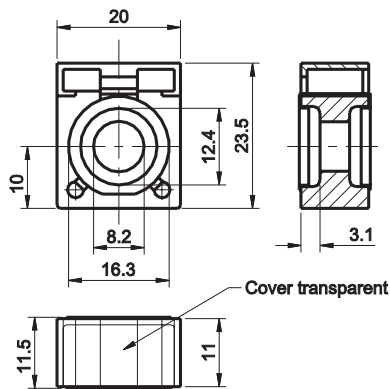
FI = 1.25 (max. operating current:  
 0.8 x I<sub>rat</sub> at 23°C)

**Description**

Main Fuse for mounting with battery clamp on the battery pole.  
 Voltage rating 58 VDC, Current rating 50A - 300A. With transparent cover for visual inspection of melting element.

**Dimensions**

Dimensions in mm



**Time-Current Characteristics**

% of Rating	Opening Time Min / Max (s)
100	360,000 s / -
135	- / 3,600 s
150	1 s / 600 s
200	0.200 s / 60 s
300	0.050 s / 1.5 s
400	0.020 s / 0.50 s
600	- / 0.20 s

**Ratings**

Part Number	Current Rating	Typ. Voltage Drop	Cold Resistance	I²t
155.0892.5501	50 A	100 mV	1.20 mΩ	1,900 A²s
155.0892.5751	75 A	90 mV	0.60 mΩ	12,000 A²s
155.0892.6101	100 A	80 mV	0.60 mΩ	14,000 A²s
155.0892.6121	125 A	75 mV	0.45 mΩ	51,000 A²s
155.0892.6151	150 A	70 mV	0.35 mΩ	63,800 A²s
155.0892.6171	175 A	70 mV	0.25 mΩ	120,000 A²s
155.0892.6201	200 A	65 mV	0.25 mΩ	172,800 A²s
155.0892.6251	250 A	70 mV	0.20 mΩ	330,000 A²s
155.0892.6301	300 A	70 mV	0.15 mΩ	372,000 A²s

Insert CF8-Fuse links only in conjunction with the insulating nuts, see Section "Fuse Holders."  
 Corresponding battery clamp see Section "Fuse Holders."