

CF FUSE RATED 58V

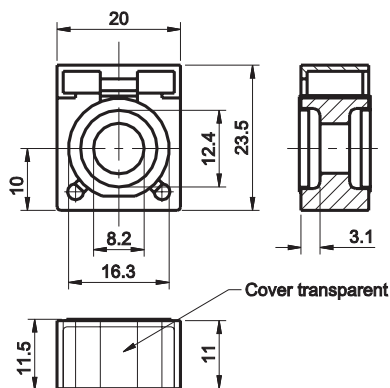


Description

Main Fuse for mounting with battery clamp on the battery pole. Voltage rating 58 VDC, Current rating 50A - 300A. With transparent cover for visual inspection of melting element.

Dimensions

Dimensions in mm



Ratings

| Part Number | Current Rating | Typ. Voltage Drop | Cold Resistance | I ² t |
|---------------|----------------|-------------------|-----------------|--------------------------|
| 155.0892.5501 | 50 A | 100 mV | 1.20 mΩ | 1,900 A ² s |
| 155.0892.5751 | 75 A | 90 mV | 0.60 mΩ | 12,000 A ² s |
| 155.0892.6101 | 100 A | 80 mV | 0.60 mΩ | 14,000 A ² s |
| 155.0892.6121 | 125 A | 75 mV | 0.45 mΩ | 51,000 A ² s |
| 155.0892.6151 | 150 A | 70 mV | 0.35 mΩ | 63,800 A ² s |
| 155.0892.6171 | 175 A | 70 mV | 0.25 mΩ | 120,000 A ² s |
| 155.0892.6201 | 200 A | 65 mV | 0.25 mΩ | 172,800 A ² s |
| 155.0892.6251 | 250 A | 70 mV | 0.20 mΩ | 330,000 A ² s |
| 155.0892.6301 | 300 A | 70 mV | 0.15 mΩ | 372,000 A ² s |

Insert CF8-Fuse links only in conjunction with the insulating nuts, see Section "Fuse Holders." Corresponding battery clamp see Section "Fuse Holders."

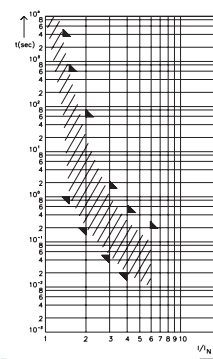
Specifications

Insulating Body: Out of ceramic
 Cover: Out of thermoplast (UL 94-V0, heat resistant)
 Visible melting-element
 Interrupting Rating: 2,000A @58 VDC
 Complies with: ISO 8820-6
 DIN 72581-5
 UL 248 Special Purpose Fuses
 cULus Recognized: File No. E211637

Ordering Information

| Part Number | Package Size |
|---------------|--------------|
| 155.0892.xxx1 | 100 |

Pre-Arcing Time-Limits



FI = 1.25 (max. operating current: 0.8 x I_{rat} at 23°C)

Time-Current Characteristics

| % of Rating | Opening Time Min / Max (s) |
|-------------|----------------------------|
| 100 | 360,000 s / - |
| 135 | - / 3,600 s |
| 150 | 1 s / 600 s |
| 200 | 0.200 s / 60 s |
| 300 | 0.050 s / 1.5 s |
| 400 | 0.020 s / 0.50 s |
| 600 | - / 0.20 s |