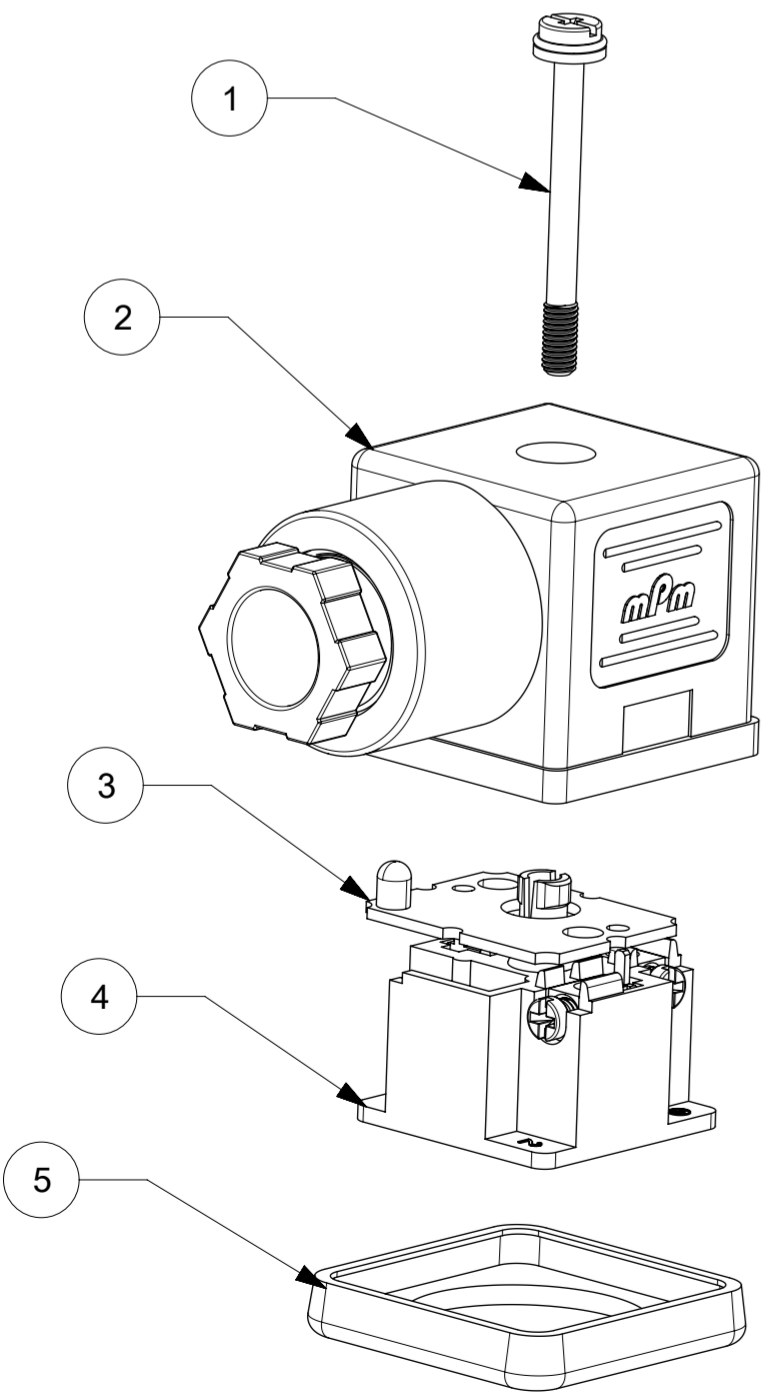


S18 3 09 T A1 2 2 **

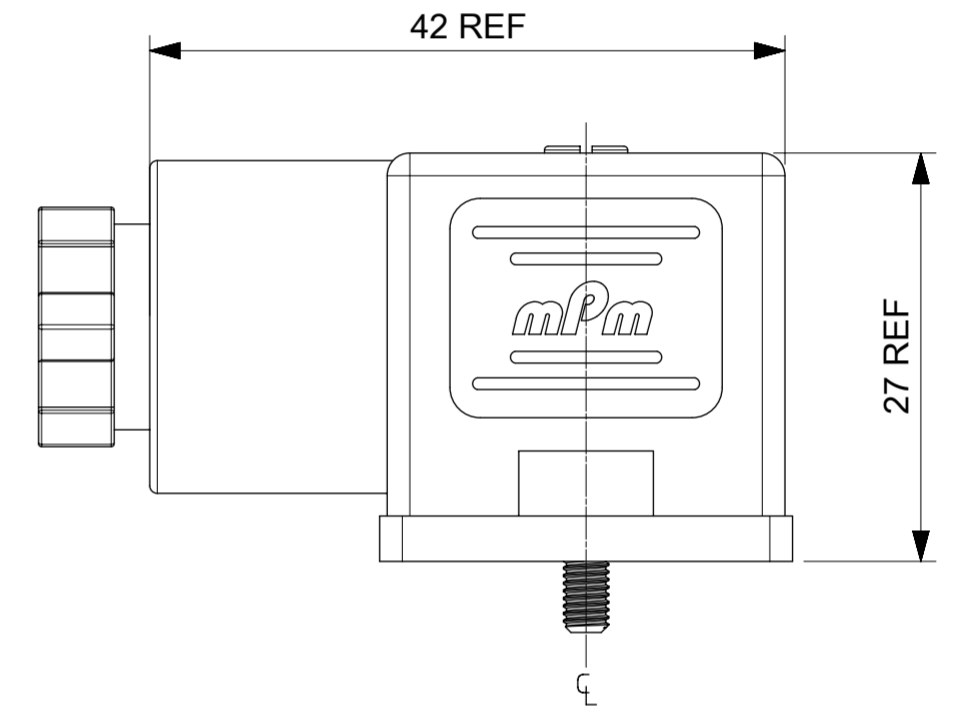
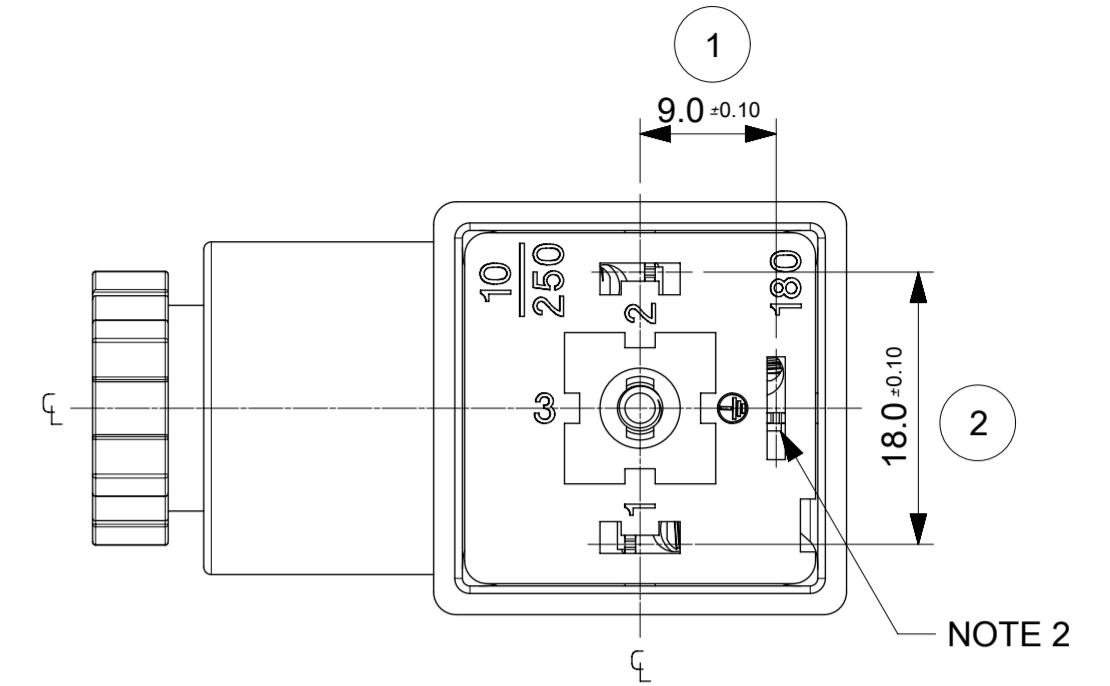
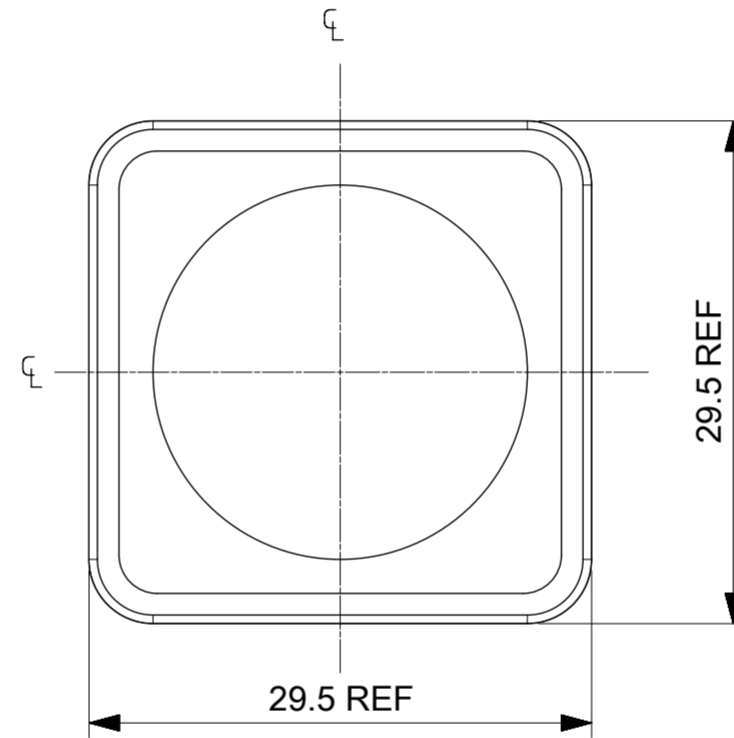
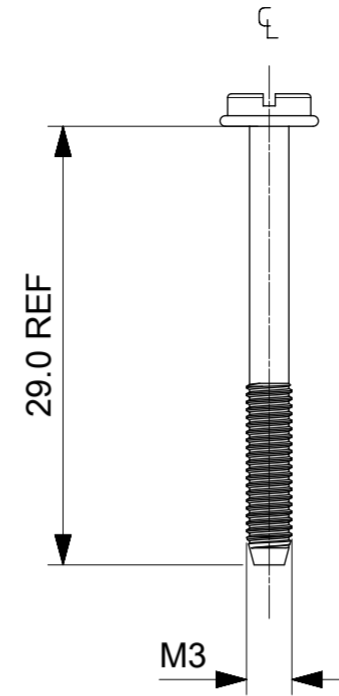
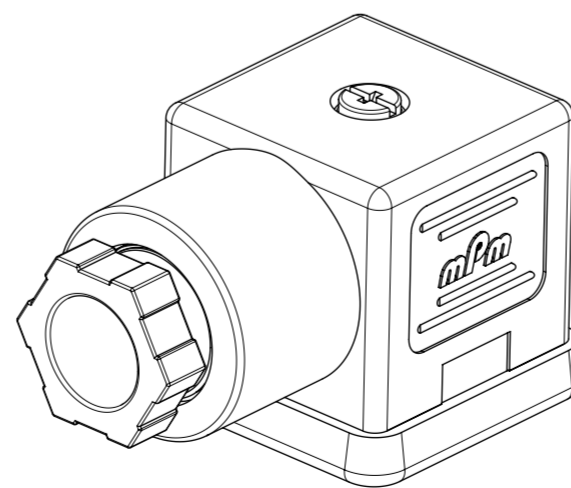
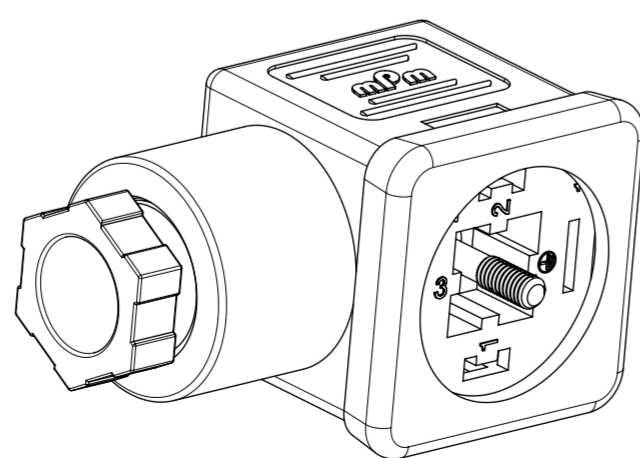
SERIES _____
 S18= INTERNAL THREAD FORM A
 POLES _____
 2= 2 POLE & 3= 3 POLE
 THREAD _____
 09= PG9, 11= PG11, M6=M16x1.5, M0= M20x1.5, 12= 1/2" GAS 13= 1/2" NPTF
 MATERIAL AND HOUSING COLOUR _____
 G= PA6 GRAY, N= PA6 BLACK, W= PA6 BLACK V0, T= PA12 TRANSPARENT,
 B= PA6 WHITE
 CIRCUIT _____
 SEE DETAILS IN CATALOGUE
 VOLTAGE _____
 SEE DETAILS IN CATALOGUE
 SCREW AND GASKET _____

1= NBR PROFILE GASKET & SCREW
 2= NBR FLAT GASKET & SCREW
 3= WHITE SILICON PROFILE GASKET & SCREW
 4= WHITE SILICON FLAT GASKET & SCREW
 A= NBR PROFILE GASKET & SCREW +2mm
 B= NBR FLAT GASKET & SCREW +2mm
 P= SCREW WITH GROMMET (IP67) &
 NBR INTEGRATED GASKET ASSEMBLED

NON STANDARD COMPONENTS
 14= PACKED IN NEUTRAL BAG
 23= FULLY MOUNTED
 54= WITH PIN 3 AS EARTH
 65= SPECIAL GROMMET
 67= NEUTRAL PACKAGING
 84= TAMPO PRINTING ON DIODE
 3F= 24DC W/O TAMPO PRINTING
 5J= BOXES OF 100
 5N= PACKED IN BOXES OF 200
 6U= GI BY500-800 DIODE
 AF= CENTRE SCREW MOUNTED
 AG= DIODE IN4948
 P7= IP67 COMPLIANT
 SA= UL LISTED PART
 CZ= GROMMET 4 DISCRETE WIRES



ITEM	DESCRIPTION
1	SCREW
2	COVER ASSEMBLY
3	PCB
4	INSERT ASSEMBLY
5	GASKET



NOTES

- PLEASE SEE EXCEL SHEET 1210640002_PDP FOR CURRENTLY CONFIGURED PART NUMBERS.
 FOR SPECIFIC PART NUMBERS PLEASE CONTACT SALES OR CONSULT THE INTELLIGENT PART NUMBER ON THE TOP LEFT OF THIS PAGE.
- EARTH POSITION SHOWN, H12.
- FOR PACKAGING SEE PACKAGING SPEC PK-121064-S18
- PRODUCT SPEC: SEE PS-121201-001

LAST INSPECTION NUMBER 2

2016/12/16		2016/12/22		GENERAL TOLERANCES (UNLESS SPECIFIED)		DIMENSION UNITS		SCALE				
AE		REV		4 PLACES ±		MM		1.5:1				
DRWN: TCLEARY		CHKD: STGRIFFIN		3 PLACES ±		DRWN BY		DATE		PRODUCT CUSTOMER DRAWING		
APPR: STGRIFFIN		APPR BY		2 PLACES ± 0.1		BCAFFREY		2016/04/11		SERIES		
				1 PLACE ± 0.2		TCLEARY		2016/12/16		MATERIAL NUMBER		
				0 PLACES ±		STGRIFFIN		2016/04/12		CUSTOMER		
				DRAFT WHERE APPLICABLE MUST REMAIN WITHIN DIMENSIONS		DRAWING SIZE		THIRD ANGLE PROJECTION		121064		
						A2				SEE 1210640002_PDP		
										GENERAL MARKET		
										DOCUMENT NUMBER		
										SD-121064-002		
										DOC TYPE		
										PSD		
										DOC PART		
										000		
										SHEET NUMBER		
										1 OF 1		