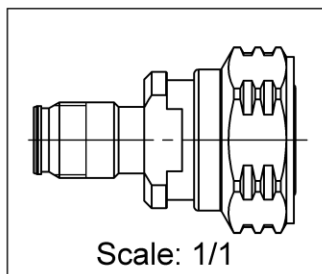
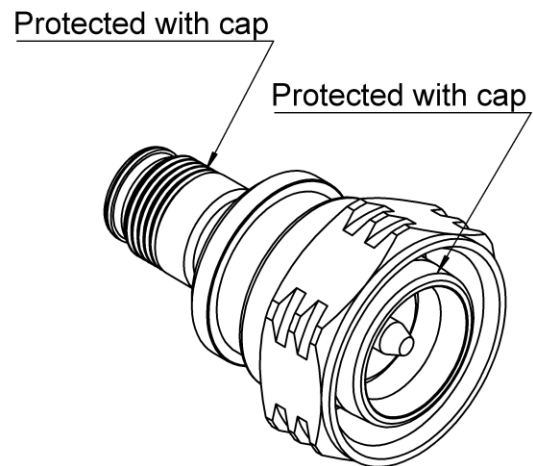
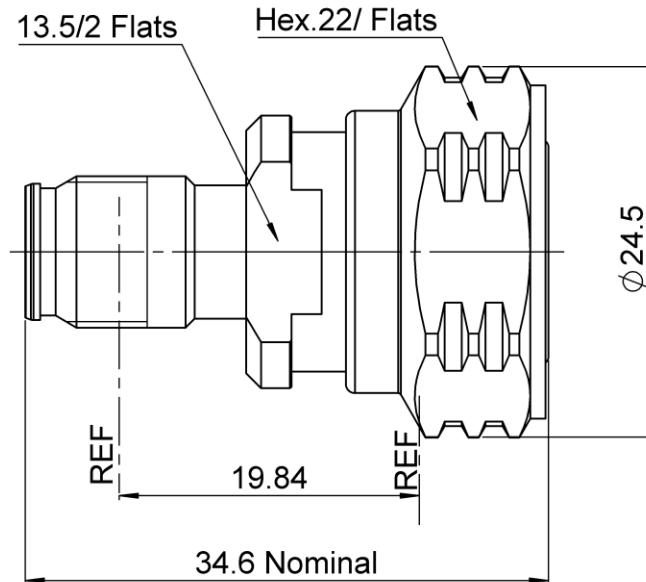
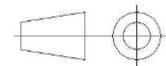


PAGE 1/2	ISSUE 05-02-18A	SERIES ADAPTER	PART NUMBER R191633016
----------	-----------------	----------------	------------------------



All dimensions are in mm. Tolerances according ISO 2768 m-H



COMPONENTS	MATERIALS	PLATING (µm)
Body	<b>BRASS.</b>	<b>HEP2R</b>
Center contact	<b>BERYLLIUM COPPER</b>	<b>SILVER</b>
Outer contact		
Insulator	<b>PTFE</b>	
Gasket	<b>SILICONE RUBBER</b>	
Others parts	<b>BRASS.</b>	<b>HEP2R</b>
-	-	-
-	-	-

PAGE <b>2/2</b>	ISSUE <b>05-02-18A</b>	SERIES <b>ADAPTER</b>	PART NUMBER <b>R191633016</b>
-----------------	------------------------	--------------------------	-------------------------------

PACKAGING

Standard	Unit	Other
<b>1</b>	<b>Contact us</b>	<b>Contact us</b>

ELECTRICAL CHARACTERISTICS

Impedance		<b>50</b>	$\Omega$
Frequency		<b>0-6</b>	GHz
VSWR	<b>TBT</b>	<b>+</b>	<b>0.0000</b> x F(GHz) Maxi
Insertion loss		<b>TBT</b>	$\sqrt{F}$ (GHz) dB Maxi
RF leakage		<b>NA</b>	- F(GHz)) dB Maxi
Voltage rating		<b>500</b>	Veff Maxi
Dielectric withstanding voltage		<b>1500</b>	Veff mini
Insulation resistance		<b>5000</b>	M $\Omega$ mini

ENVIRONMENTAL

Operating	<b>-55/+90</b>	$^{\circ}\text{C}$
Hermetic seal	<b>NA</b>	Atm.cm3/s
Panel leakage	<b>NA</b>	

MECHANICAL CHARACTERISTICS

Center contact retention			
Axial force – Mating End		<b>30</b>	N mini
Axial force – Opposite end		<b>30</b>	N mini
Torque		<b>NA</b>	N.cm mini

SPECIFICATION

OTHER CHARACTERISTICS

**PIM3<-123dBm, 2 X 20W,1.8GHz**

Recommended torque			
Mating	<b>NEX10</b>	<b>0</b>	N.cm
	<b>4.3-10</b>	<b>500</b>	N.cm
		<b>0</b>	N.cm
Panel nut		<b>NA</b>	N.cm
Mating life		<b>100</b>	Cycles mini
Weight		<b>40.8500</b>	g