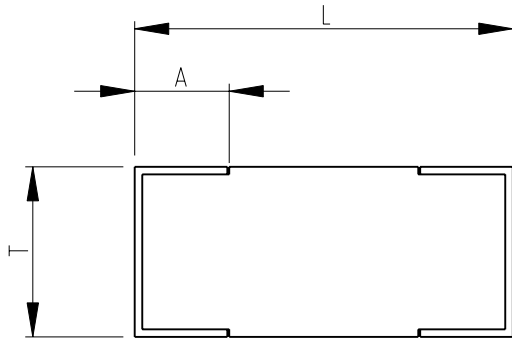
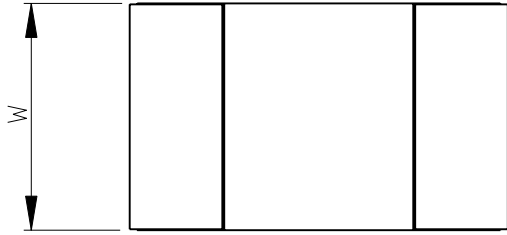


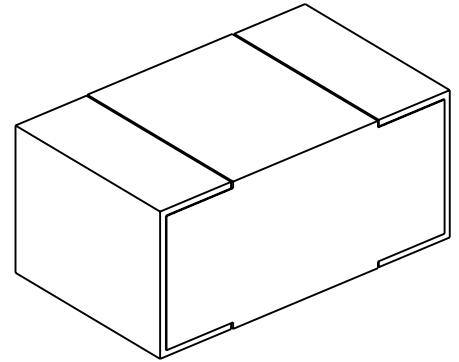
LOC	DIST	REVISIONS					
E	B	P	LTR	DESCRIPTION	DATE	DWN	APVD
				BA1 REVISED PER ECO-11-005150	28MAR2011	RK	HMR

FOR FURTHER INFORMATION SEE DATA SHEET FOR BMB SERIES-MULTILAYER FERRITE BEADS



RoHS Compliant

BMB-A,BMB-B,BMB-L,BMB-R 0805 AND BMB-P 0805 SERIES AS SHOWN



BMB-P 0805				
BMB-R 0805				
BMB-L 0805	2.0±0.20	1.2±0.20	0.9±0.20	0.5±0.30
BMB-B 0805				
BMB-A 0805				
SERIES	L	W	T	A

2008


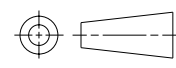
RELEASED FOR PUBLICATION

THIS DRAWING IS UNPUBLISHED.

ALL RIGHTS RESERVED.

BY -

© COPYRIGHT 2008

DIMENSIONS: mm	DWN	15-Sep-08	MATERIAL	-	FINISH	-
	CHK	15-Sep-08	 TE Connectivity			
TOLERANCES UNLESS OTHERWISE SPECIFIED:	ALLAN.P	15-Sep-08				
	APVD	15-Sep-08	NAME			
0 PLC ±0.5	PRODUCT SPEC	-	MULTILAYER FERRITE BEADS			
1 PLC ±0.2	-	-	SERIES BMB 0805			
2 PLC ±0.1	APPLICATION SPEC	-	SIZE	CAGE CODE	DRAWING NO	RESTRICTED TO
3 PLC ±	-	-	A 4	00779	©-1624117	-
4 PLC ±	WEIGHT	-	CUSTOMER DRAWING			
ANGLES ±5°	-	-	SCALE	SHEET	OF	REV
	-	-	25:1	1	1	BA1