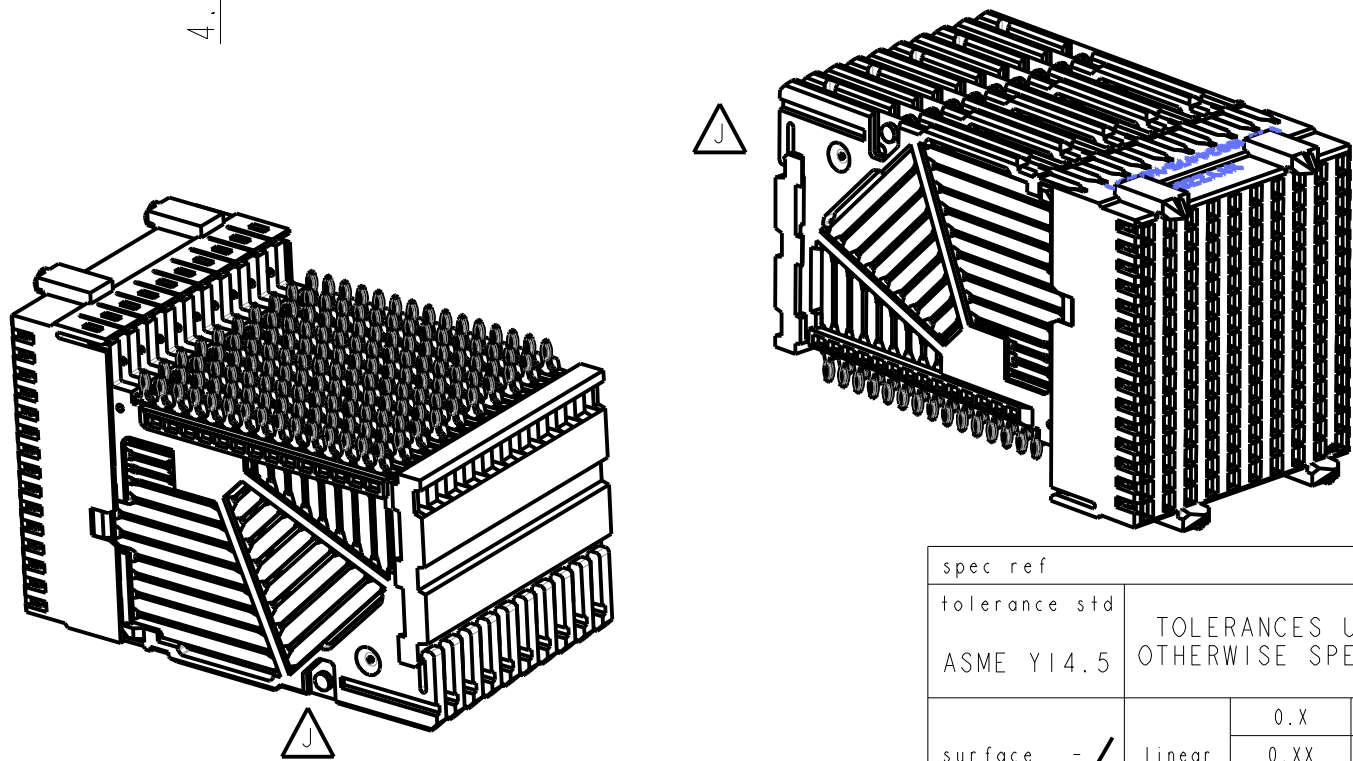
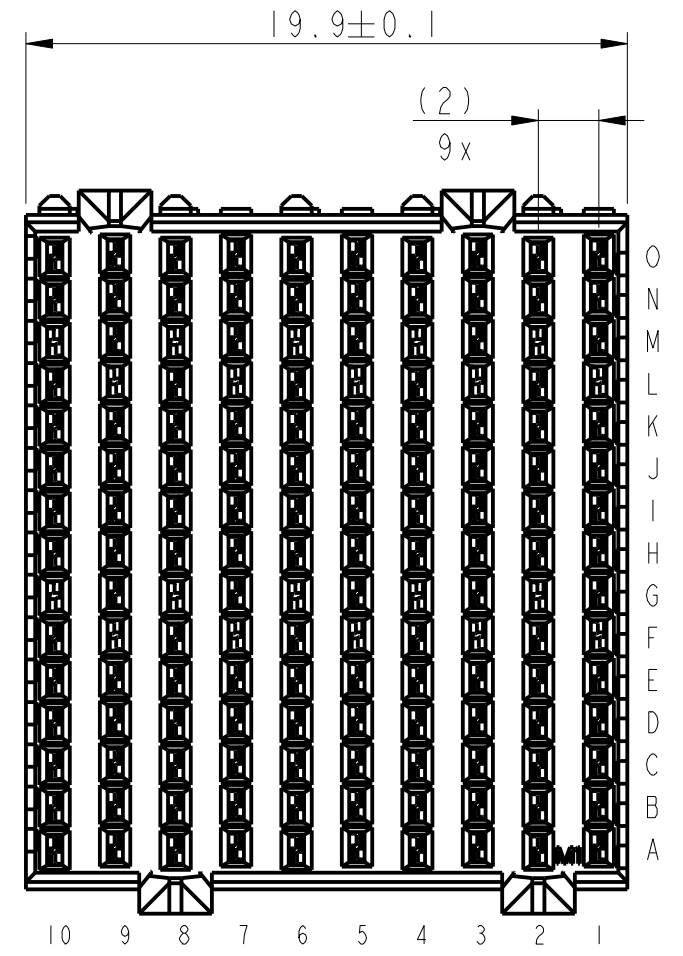
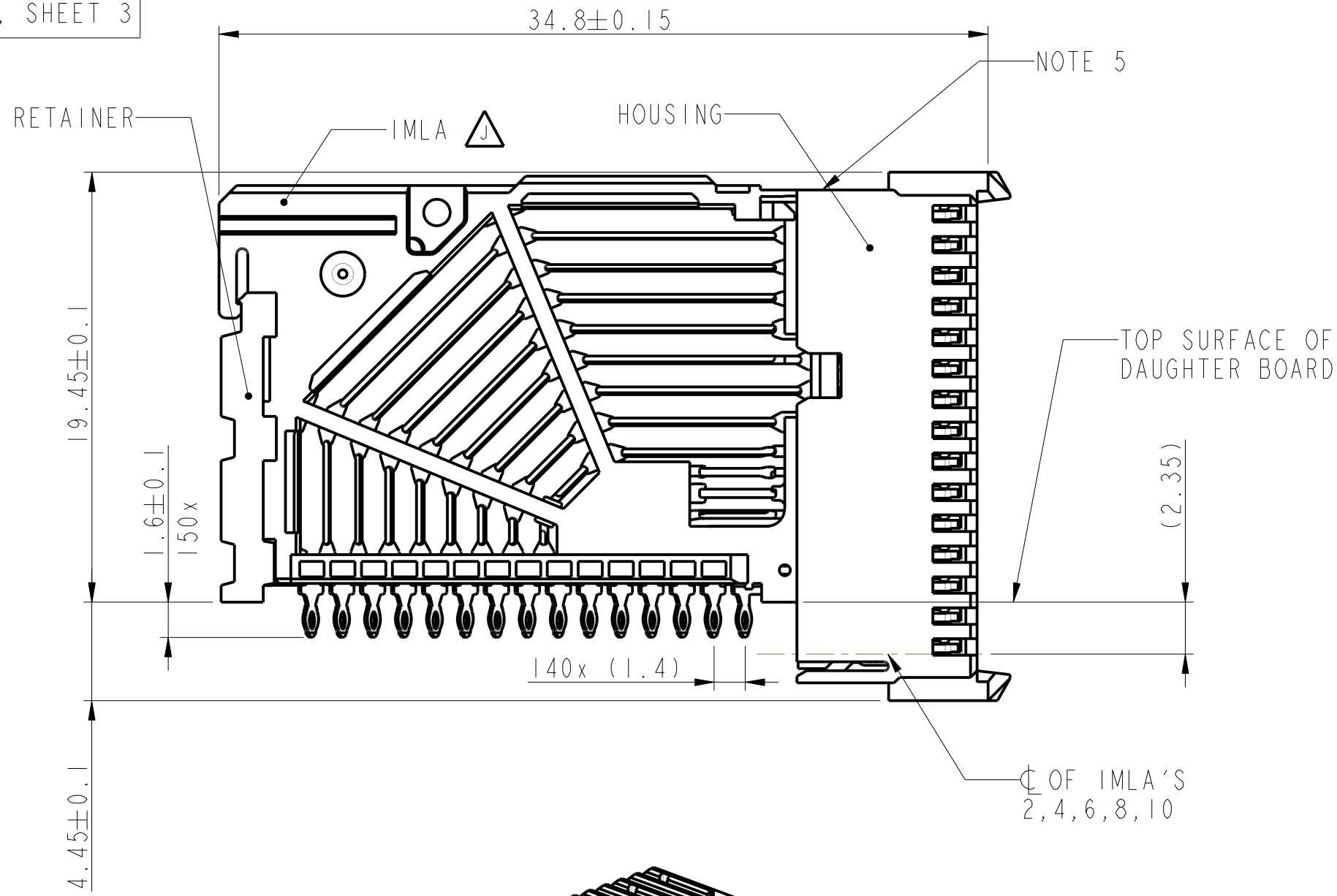
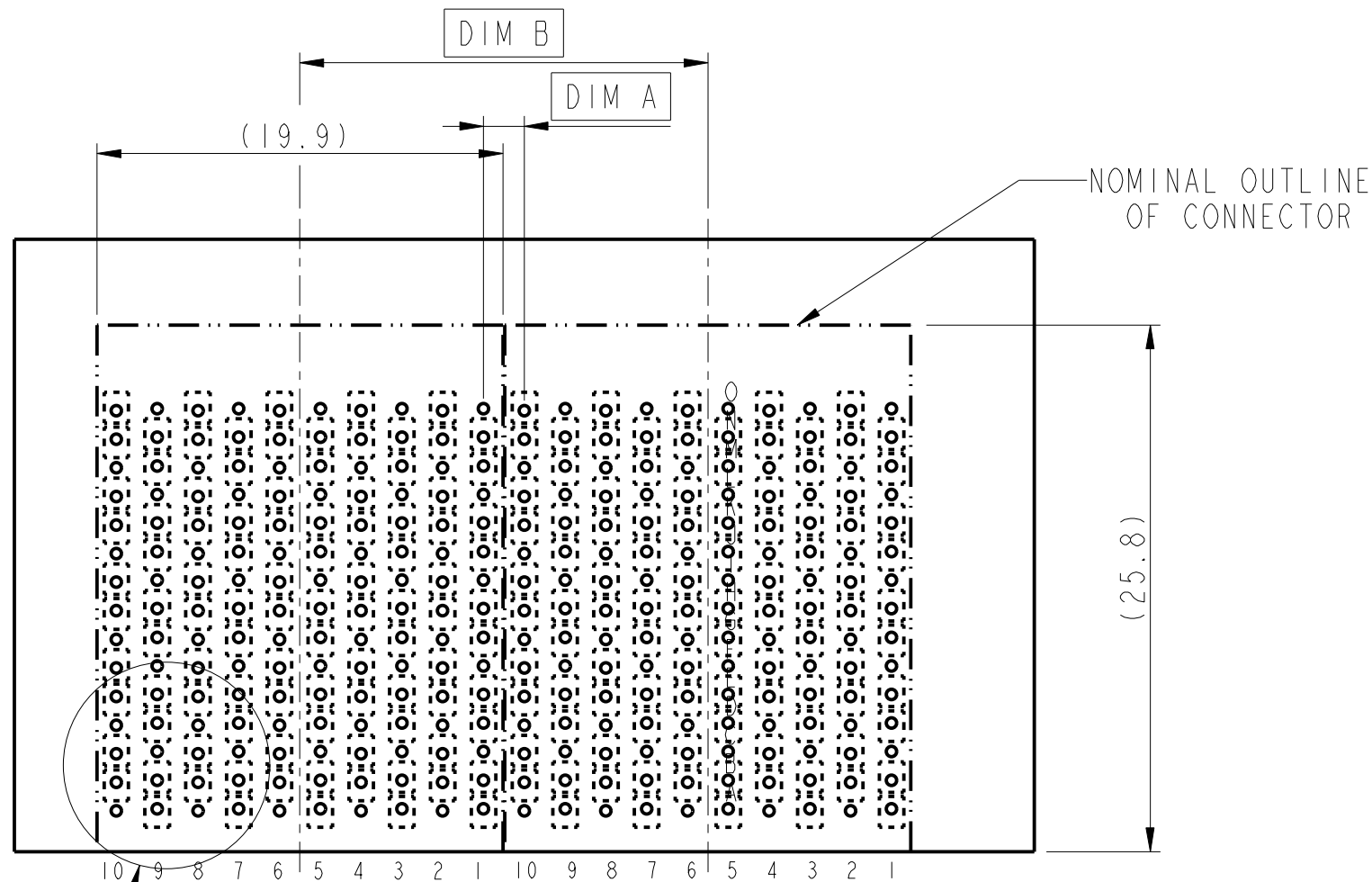


Product-number
SEE TABLE, SHEET 3

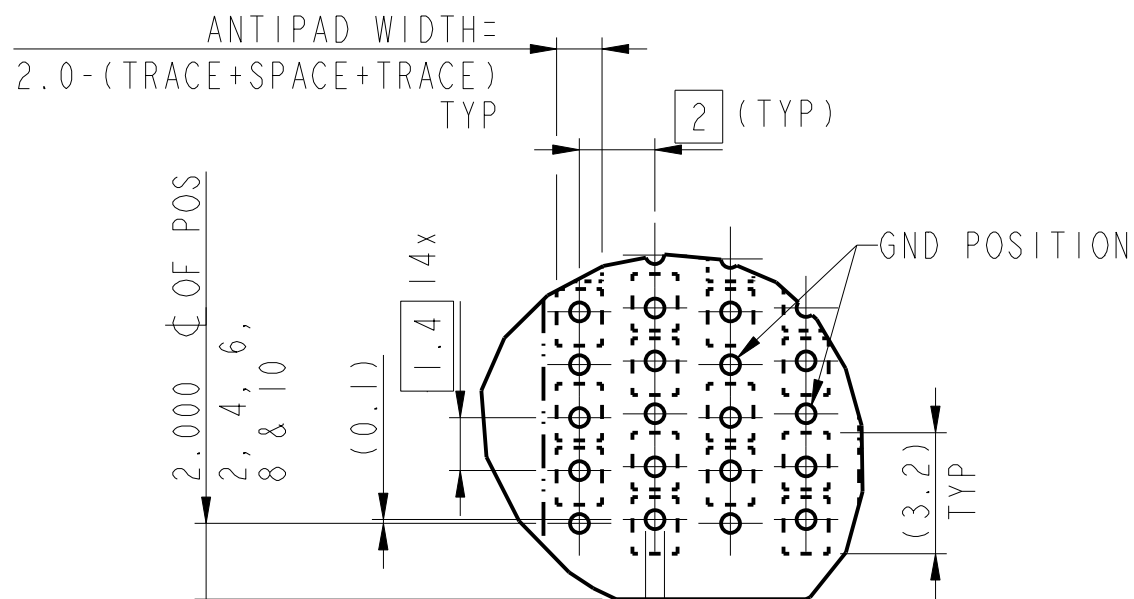


spec ref	dr	wcadmin	2008/02/14	projection	mm	size	A3	scale	4:1
tolerance std	eng	Lin-Soe Ngwe	2014/01/03			ecn no		ELX-S-16634-1	
ASME Y14.5	chr	-	product family			-	rel level		Released
surface	appr	Chen-Hong Tan	2014/01/07				AirMax VS R.A. Recpt assy PRESS-FIT, 150 POS, 20 MM		rev J
ASME Y14.5	linear	0.X	±0.3	www.fci.com	cat. no.	-	Product - Customer Drw	sheet 1 of 3	
	angular	0°	±°						

Copyright FCI.



RECOMMENDED PCB LAYOUT
FOR DIFFERENTIAL APPLICATIONS
COMPONENT SIDE
(TWO ADJACENT FOOTPRINTS SHOWN)

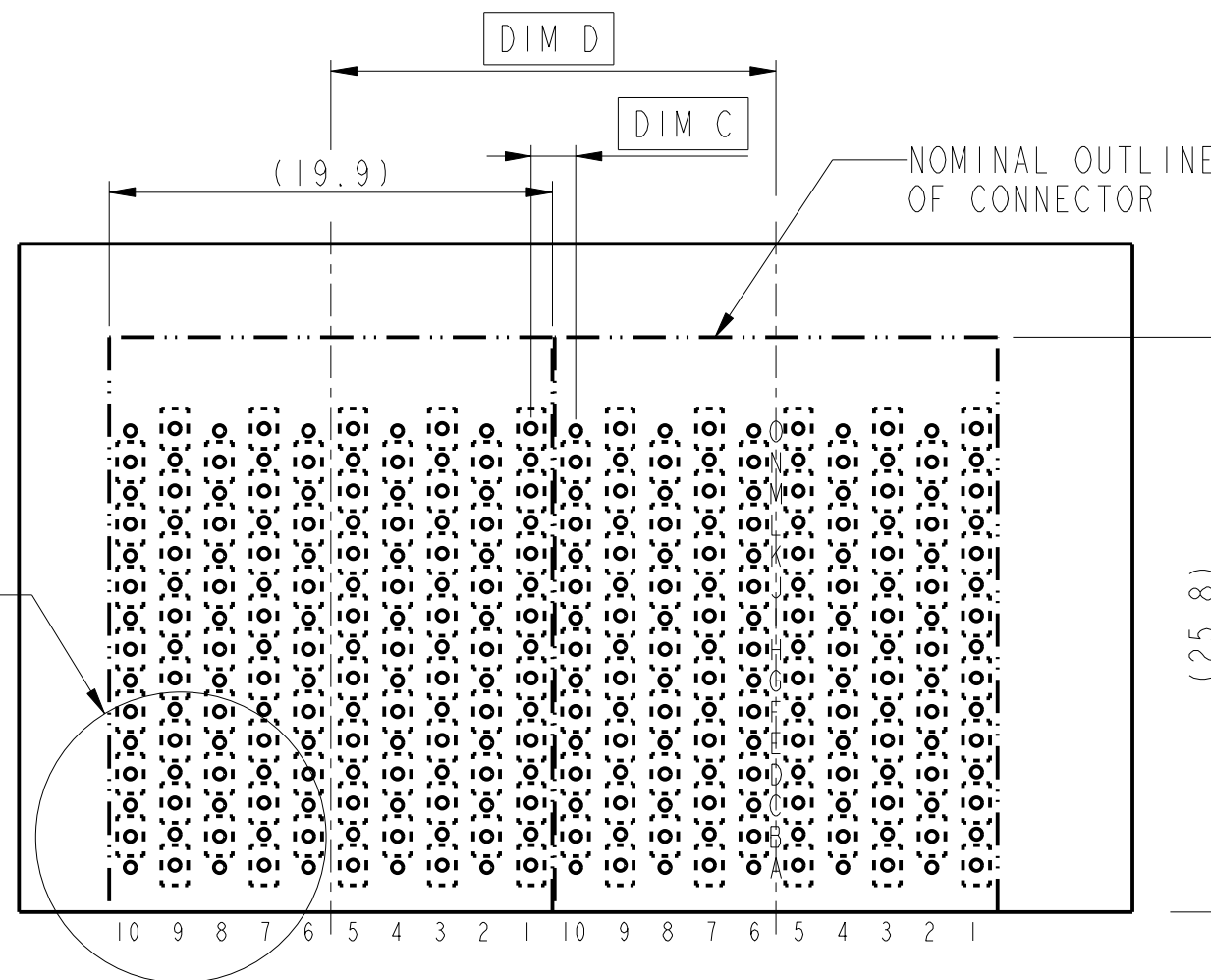
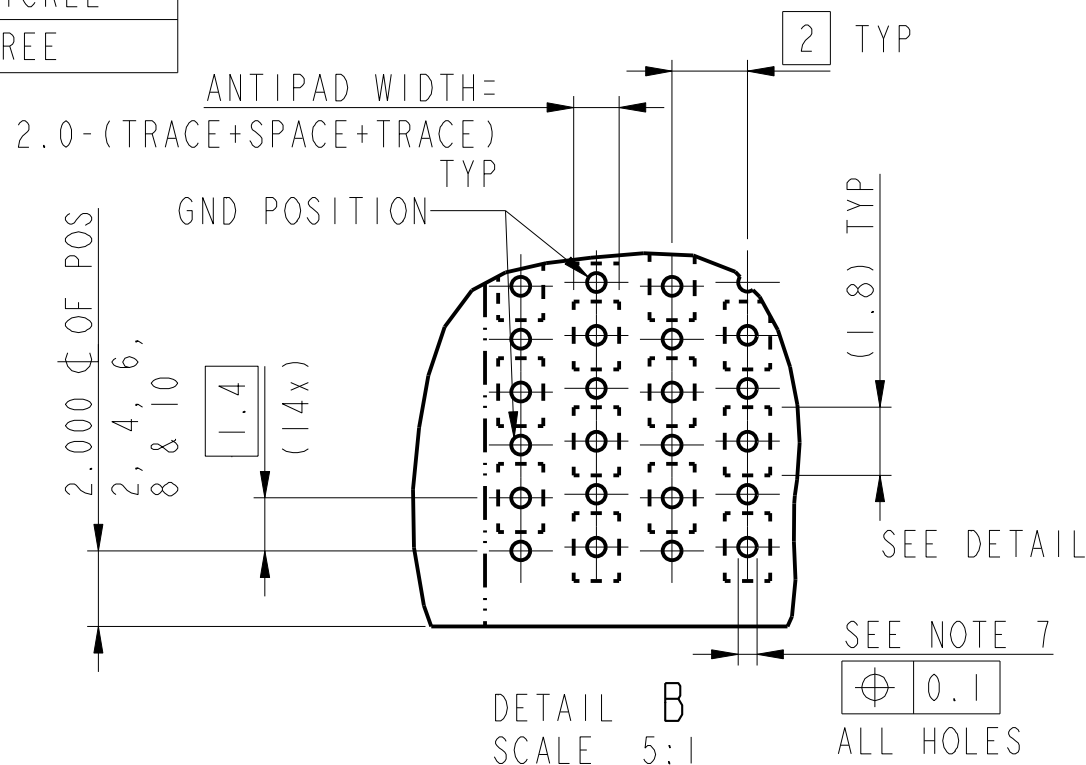


DETAIL A
SCALE 5:1
SEE NOTE 7
 ϕ 0.1
ALL HOLES

ADJACENT HEADER WIDTH	DIM A	DIM B
20MM/20MM	2MM	20MM
20MM/22MM	3MM	21MM
22MM/22MM	4MM	22MM

spec ref	dr	wcadmin	2008/02/14	projection	mm	size	A3	scale	3:1
tolerance std	eng	Lin-Soe Ngwe	2014/01/03			ecn no		ELX-S-16634-1	
ASME Y14.5	chr	-	-			rel level		Released	
ASME Y14.5	appr	Chen-Hong Tan	2014/01/07	product family		AirMax VS(tm)		Title	
surface			AirMax VS R.A. Recept assy		dwg no 10034475		rev J		
ASME Y14.5	linear	0.X	± 0.3	www.fci.com		cat. no.		Product - Customer Drw	
		0.XX	± 0.10					sheet 2 of 3	
		0.XXX	± 0.050						
	angular	0°	\pm						

PART NUMBER	PRESS FIT TAIL PLATING TYPE
10034475-101	TIN/LEAD ALLOY OVER NICKEL
10034475-101LF	LEAD FREE



RECOMMENDED PCB LAYOUT
FOR SINGLE ENDED APPLICATIONS
COMPONENT SIDE
(TWO ADJACENT FOOTPRINTS SHOWN)

NOTES:

- CONNECTOR MATERIALS:
HOUSING & RETAINER: HIGH TEMP THERMOPLASTIC, NATURAL, UL94V-0
IMLA PLASTIC: HIGH TEMP PLASTIC, BLACK, UL94V-0
CONTACT: COPPER ALLOY.
- CONTACT PLATING:
SEPARABLE INTERFACE: PERFORMANCE BASED PLATING, QUALIFIED TO MEET THE REQUIREMENTS OF FCI PRODUCT SPECIFICATION GS-12-239, INCLUDING TELCORDIA GR-1217-CORE (NOV 1995) CENTRAL OFFICE TEST SEQUENCE.
PRESS-FIT TAILS: SEE TABLE
- PRODUCT SPECIFICATION: GS-12-239
- APPLICATION SPECIFICATION: GS-20-035
- PRODUCT MARKING, (PARTNUMBER & LOT CODE), ON THIS SURFACE
- THERE IS NO GROUND BUSSING WITHIN THE CONNECTOR SYSTEM.
- SEE CUSTOMER DRAWING 10045979 FOR INFORMATION ON PCB HOLE DIAMETER AND PLATING OPTIONS
- THIS PRODUCT MEETS EUROPEAN UNION DIRECTIVES AND OTHER COUNTRY REGULATIONS AS DESCRIBED IN GS-22-008.
- THE HOUSING WILL WITHSTAND EXPOSURE TO 260 °C PEAK TEMPERATURE FOR 40 SECONDS IN A CONVECTION, INFRA-RED OR VAPOR PHASE REFLOW OVEN.
- PACKAGE MEETS GS-14-920 LEAD FREE LABELLING SPEC.
- A Δ SYMBOL WILL BE NEXT TO ANY DIMENSION, VIEW, OR NOTE WHICH HAS BEEN MODIFIED WITH THE CURRENT DRAWING REVISION.

ADJACENT HEADER WIDTH	DIM C	DIM D
20MM/20MM	2MM	20MM
20MM/22MM	3MM	21MM
22MM/22MM	4MM	22MM

spec ref	dr	wcadmin	2008/02/14	projection	mm	size	A3	scale	3:1
tolerance std	eng	Lin-Soe Ngwe	2014/01/03		←→	ecn no	ELX-S-16634-1	rel level	Released
ASME Y14.5	chr	-	-						
surface	linear	0.X	±0.3		TITLE	AirMax VS R.A. Recpt assy	dwg no	10034475	rev
		0.XX	±0.10						
		0.XXX	±0.050						
ASME Y14.5	angular	0°	±°	www.fci.com	cat. no.	Product - Customer Drw	sheet 3 of 3		J