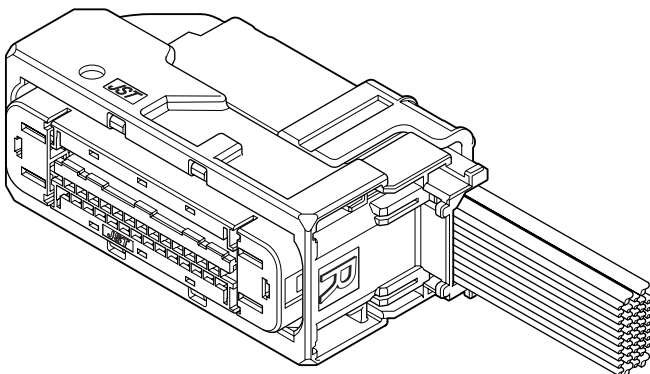




47 Circuits 0.64/6.3 Hybrid Sealed Connector compliant with the USCAR footprints and performance standard. Designed for ABS application.

Features

- 47 circuits: 0.64/6.3 Hybrid Sealed Connector
- Compliant with the Standard USCAR Footprints
- Ergonomic, dual action lever mechanism design for low Mating Force
- Alternative Cable routing design
- Flash-Over options are available for blocking unused circuits
- Cable protector (optional) for additional cable protection

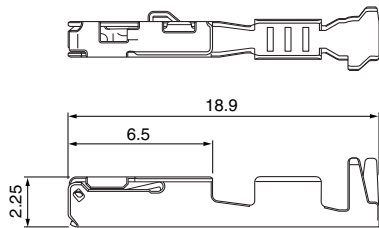


Specifications

- Current rating: 0.64 Terminal/ 5A DC max.
6.3 Terminal/ 40A DC max.
- Voltage rating: 14V DC
- Temperature range: -40°C to +125°C
(including temperature rise in applying electrical current)
- Contact resistance:
0.64 Terminal; Initial value/20mΩ max.
After environmental testing/20mΩ max.
6.3 Terminal; Initial value/1.5mΩ max.
After environmental testing/1.5mΩ max.
- Insulation resistance: 20MΩ min.
- Applicable wire:
0.64 Terminal; SAE/ AVSS/ CAVS 0.3mm² to 0.8mm²
6.3 Terminal; 2.5mm² (AWG#12)

* Compliant with ELV/RoHS.
* Contact JST for details.

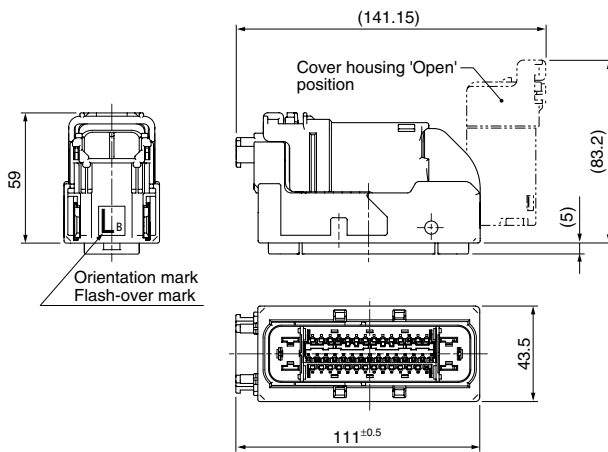
Female terminal



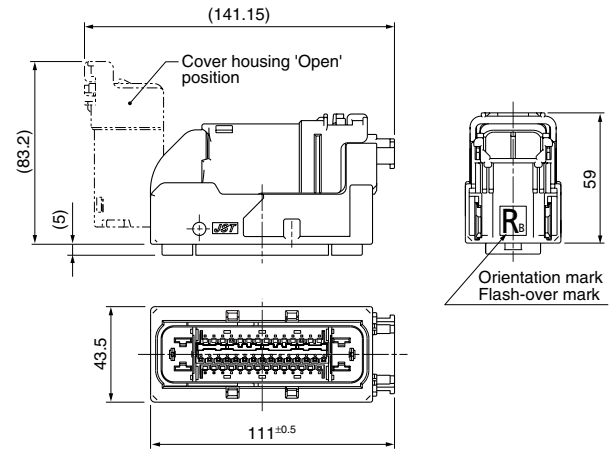
Model No.	Applicable wire range		Q'ty/reel
	Conductor (mm ²)	Insulation O.D. (mm)	
①SAITS-A03T-M064	0.3 to 0.5	≤1.9	3,500
①SAITS-A02T-M064	0.75 to 0.8	≤1.9	3,500
②GT630 or equivalent Terminal (Customer specified terminal.)			
Material and Finish			
①Copper alloy, tin-plated (reflow treatment)			
②Copper alloy (refer to Delphi for detail)			

Female connector

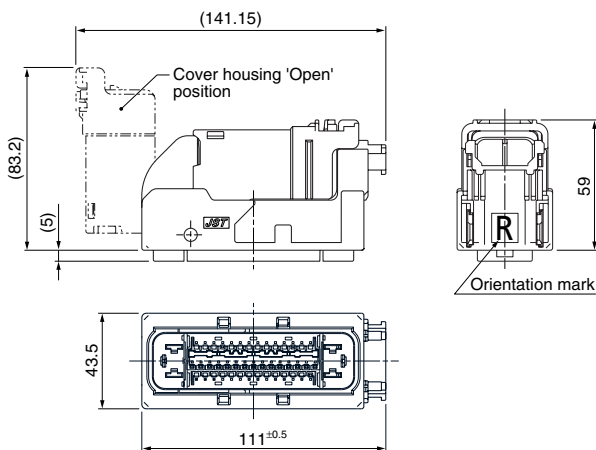
● ASGPB-1547L2A-K/ASGPB-2547L2A-K (Flash-over option)



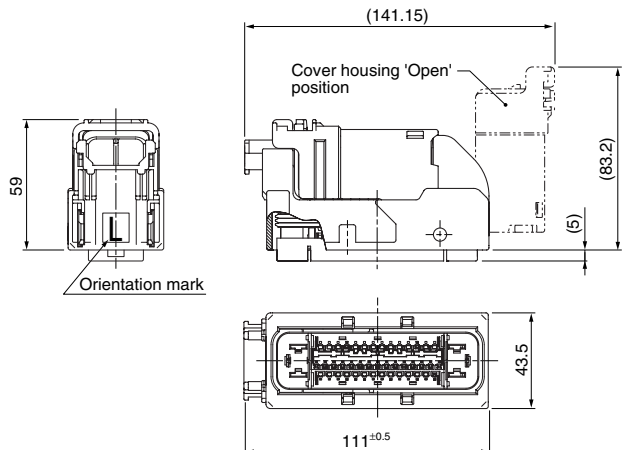
● ASGPB-1547R2A-K (Flash-over option)



● ASGPB-47R1A-K



● ASGPB-47L1A-K



Circuits		Model No.	Q'ty/box
6.3	0.64		
3	22	ASGPB-2547L2A-K	70
4	11	ASGPB-1547R2A-K	70
		ASGPB-1547L2A-K	70
	43	ASGPB-47R1A-K	70
		ASGPB-47L1A-K	70

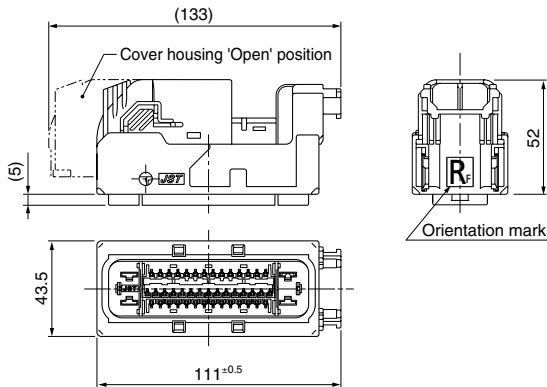
Material

Housing: Glass-filled PBT, black
 Lever: Glass-filled PBT, black
 Slide: Glass-filled PA, black
 Ring seal: Silicone, green
 TPA: Glass-filled PBT, natural (white)

ASG CONNECTOR

Female connector

● ASGPB-F1947R-3AK

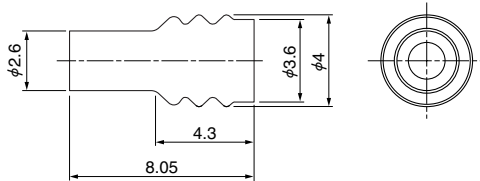


Circuits		Model No.	Q'ty/box
6.3	0.64		
3	16	ASGPB-F1947R-3AK	70

Material

Housing: Glass-filled PBT, black
 Slide: Glass-filled PA, black
 Matte seal: Silicone, rust red
 Back cover: Glass-filled PBT, black
 Ring seal: Silicone, green
 TPA: Glass-filled PBT, natural (white)

Wire seal

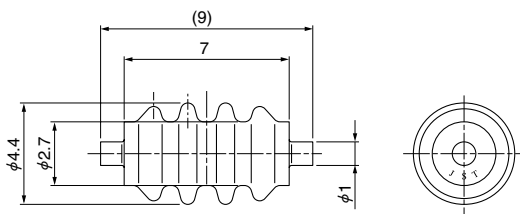


Model No.	Applicable wire range		Q'ty/box	Color
	Conductor (mm ²)	Insulation O.D. (mm)		
A03CS-AIT-M	0.3 to 0.5	1.6 to 1.9	50,000	Green
A04CS-AIT-N	0.75 to 0.8	1.2 to 1.6	50,000	Brown

Material

Silicone

Plug

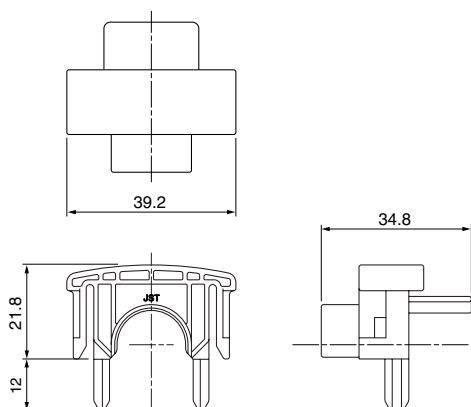


Model No.	Q'ty/box
064PLG-AIT-R	10,000

Material

Silicone, red

Cable protector



Model No.	Q'ty/box
ASGC-1547-2A-K	1,000

Material

PBT, black

Crimping machine, Applicator

Strip terminal	Crimping machine	Crimp applicator MKS-L	
		Dies	Crimp applicator with dies
SAITS-A03T-M064	AP-K2N	MK/SAITS-A03-064	APLMK SAITS-A03-064
SAITS-A02T-M064		MK/SAITS-A02-064	APLMK SAITS-A02-064

Note: When crimping operation is conducted using an applicator and die set other than the above, JST cannot guarantee the performance of the terminal.

Mouser Electronics

Authorized Distributor

Click to View Pricing, Inventory, Delivery & Lifecycle Information:

JST:

[064PLG-AIT-R](#)