

THIS DRAWING IS UNPUBLISHED.

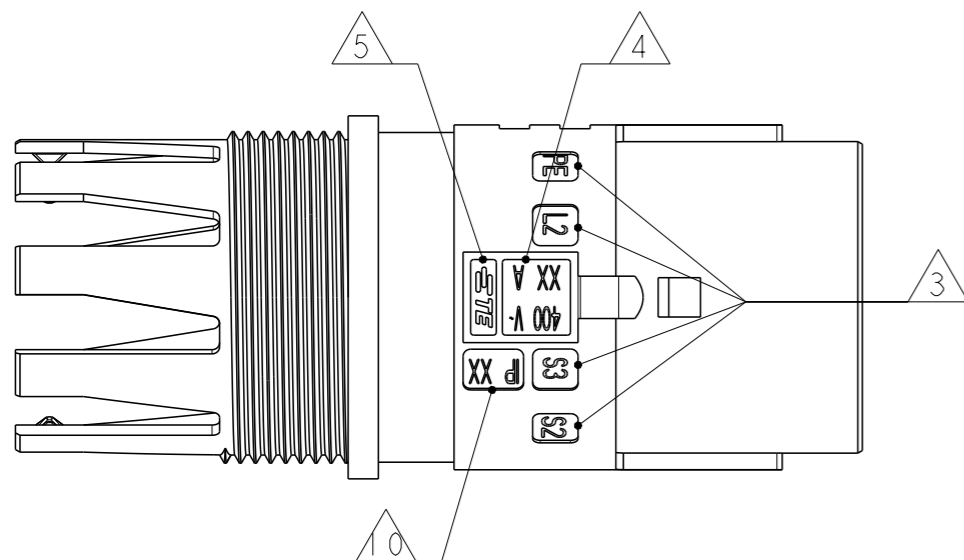
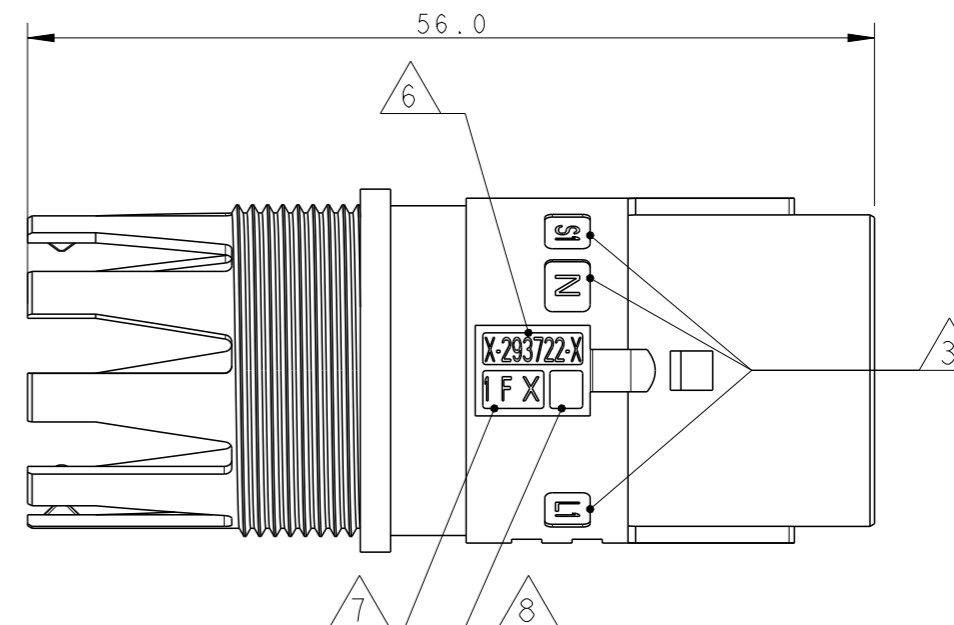
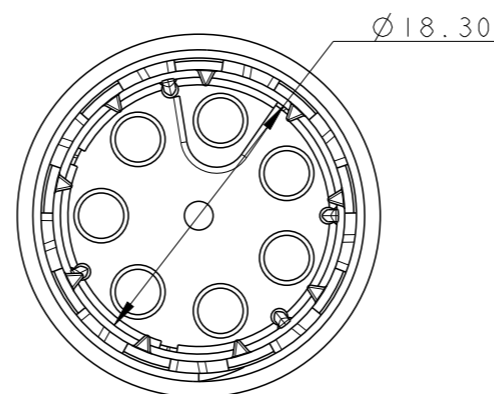
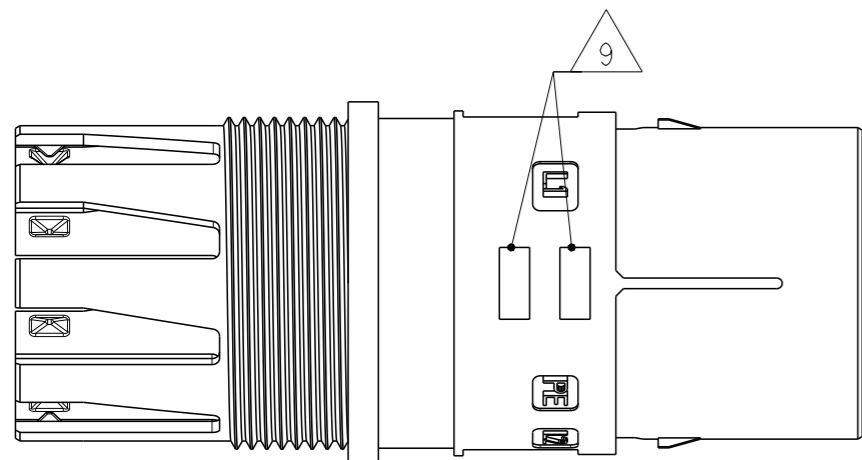
RELEASED FOR PUBLICATION

2011

© COPYRIGHT 2011 BY -

ALL RIGHTS RESERVED.

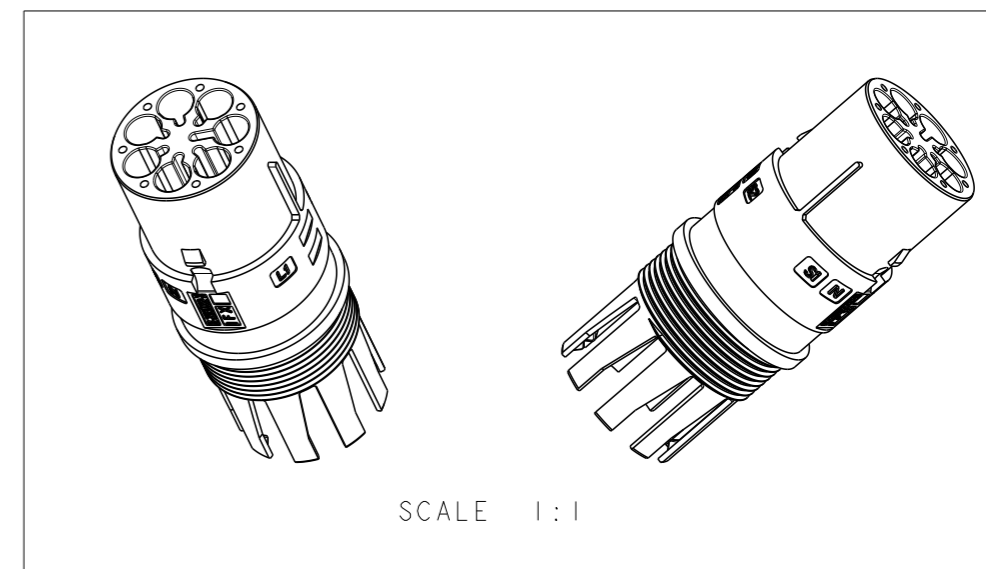
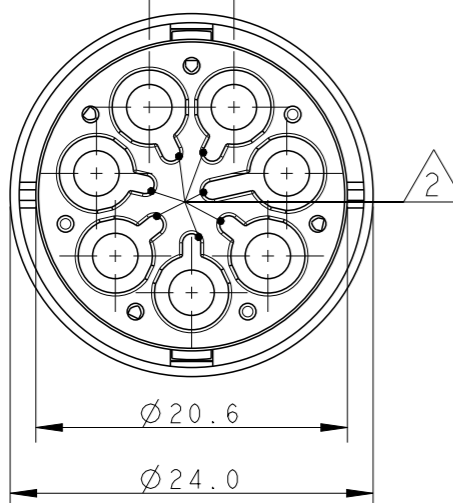
| LOC | DIST | REVISIONS | | | | | |
|-----|------|-----------|-----|-------------------------------|-----------|-----|------|
| | | P | LTR | DESCRIPTION | DATE | DWN | APVD |
| 1 | - | | 2 | UPDATED | 02MAY2011 | AB | GT |
| | | | 3 | UPDATED | 22JUL2013 | MZ | JC |
| | | | 4 | REVISED LATCH SHAPE | 02AUG2013 | KR | JC |
| | | | A | PARTS RELEASED FOR PRODUCTION | 13NOV2013 | MZ | JC |


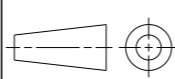


NOTES:

- 1 MATERIAL: PA GF (NATURAL AND BLACK COLOUR)
- 2 ALL POLARIZATION KEYS SHOWN FOR REF ONLY
- 3 WAYS I.D.
- 4 VOLTAGE AND CURRENT RATINGS
- 5 TE LOGO
- 6 TE PART NUMBER
- 7 DATA CODE AND CAVITY I.D.
- 8 AREA FOR AGENCIES APPROVAL LOGO
- 9 VISUAL INDICATOR FOR PE CONDUCTOR
- 10 IP CODE

5.60 PITCH
TYP X 7



| | | | | |
|---|--|---------------------------------|--|------------------------|
| THIS DRAWING IS A CONTROLLED DOCUMENT. | | DWN A. BERNARDI 31MAR2011 |  TE Connectivity | |
| DIMENSIONS: mm | | CHK M. ZUCCA 31MAR2011 | | |
| TOLERANCES UNLESS OTHERWISE SPECIFIED: | | APVD G. TURCO 31MAR2011 | NAME PIN HSG 7 POLES FREE HANGING NECTOR M-LINE UNSEALED VERSION | |
|  | | PRODUCT SPEC - | RESTRICTED TO - | |
| MATERIAL NOTE 1 | | APPLICATION SPEC - | SIZE A300779 | DRAWING NO C-293722 |
| FINISH - | | WEIGHT - | SCALE 2:1 | SHEET 1 OF 2 |
| | | Customer Drawing | REV A | |

THIS DRAWING IS UNPUBLISHED.

RELEASED FOR PUBLICATION

2011

© COPYRIGHT 2011 BY -

ALL RIGHTS RESERVED.

| LOC | DIST | REVISIONS | | | | | |
|-----|------|-----------|-----|-------------|------|-----|------|
| | | P | LTR | DESCRIPTION | DATE | DWN | APVD |
| 1 | - | - | - | SEE SHEET 1 | - | - | - |
| | | | | | | | |
| | | | | | | | |

POLARIZATION TYPES

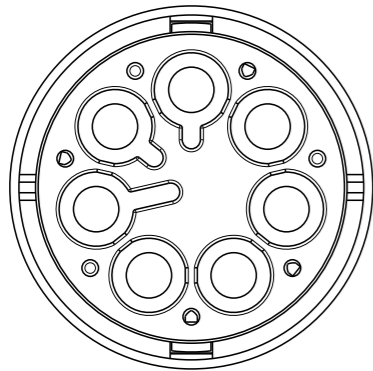
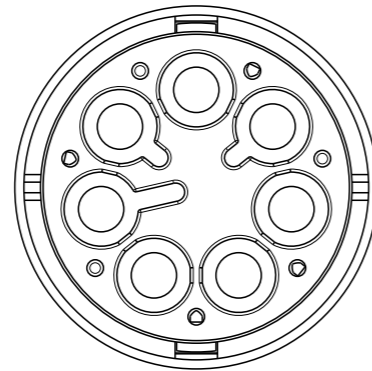
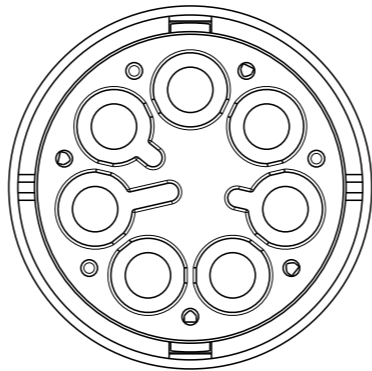
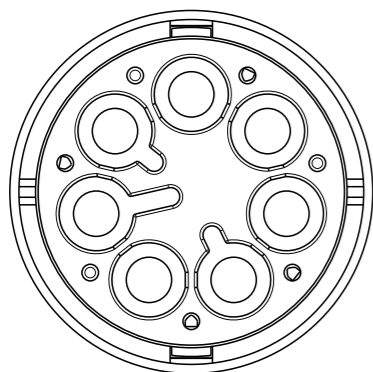
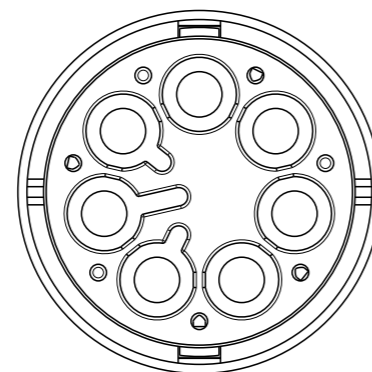










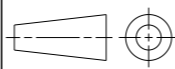
| POLARIZATION TYPE "A" | POLARIZATION TYPE "B" | POLARIZATION TYPE "C" |
|---|--|---|
|  |  |  |
| PNs 0-293722-1 AND 1-293722-1 | PNs 0-293722-2 AND 1-293722-2 | PNs 0-293722-3 AND 1-293722-3 |
| POLARIZATION TYPE "D" | POLARIZATION TYPE "E" | |
|  |  | |
| PNs 0-293722-4 AND 1-293722-4 | PNs 0-293722-5 AND 1-293722-5 | |

TABLE 1

|  | E | BLACK | PIN HSG 7 POLES FREE HANGING NECTOR* M-LINE | A | 1-293722-5 |
|---|-------------|---------|---|------|------------|
|  | D | BLACK | PIN HSG 7 POLES FREE HANGING NECTOR* M-LINE | A | 1-293722-4 |
|  | C | BLACK | PIN HSG 7 POLES FREE HANGING NECTOR* M-LINE | A | 1-293722-3 |
|  | B | BLACK | PIN HSG 7 POLES FREE HANGING NECTOR* M-LINE | A | 1-293722-2 |
|  | A | BLACK | PIN HSG 7 POLES FREE HANGING NECTOR* M-LINE | A | 1-293722-1 |
|  | E | NATURAL | PIN HSG 7 POLES FREE HANGING NECTOR* M-LINE | A | 0-293722-5 |
|  | D | NATURAL | PIN HSG 7 POLES FREE HANGING NECTOR* M-LINE | A | 0-293722-4 |
|  | C | NATURAL | PIN HSG 7 POLES FREE HANGING NECTOR* M-LINE | A | 0-293722-3 |
|  | B | NATURAL | PIN HSG 7 POLES FREE HANGING NECTOR* M-LINE | A | 0-293722-2 |
|  | A | NATURAL | PIN HSG 7 POLES FREE HANGING NECTOR* M-LINE | A | 0-293722-1 |
| NOTE | POL. KEYING | COLOUR | DESCRIPTION | REV. | P/N |

THIS DRAWING IS A CONTROLLED DOCUMENT.

DIMENSIONS:
mm



MATERIAL NOTE 1

TOLERANCES UNLESS OTHERWISE SPECIFIED:

- 0 PLC ±
- 1 PLC ±0.3
- 2 PLC ±0.20
- 3 PLC ±
- 4 PLC ±
- ANGLES ±3°
- FINISH -

DWN A. BERNARDI 31MAR2011

CHK M. ZUCCA 31MAR2011

APVD G. TURCO 31MAR2011

PRODUCT SPEC -

APPLICATION SPEC -

WEIGHT -

Customer Drawing



NAME
PIN HSG 7 POLES FREE HANGING NECTOR M-LINE UNSEALED VERSION

SIZE CAGE CODE DRAWING NO RESTRICTED TO

A300779 C-293722 -

SCALE 2:1 SHEET 2 OF 2 REV A