

ROTARY SWITCHES

SUB-MINIATURE T-05 SPACE SAVER ROTARY SWITCHES

This sub-miniature rotary switch has up to 8 positions in a T-05 can. Gold contacts deliver long life and reliability. Contacts are glass to metal sealed to prevent solder flux penetration. The Series 030 can be used for manually programming a single PC board for test or multi-function use.

Series 030



APPLICATIONS

- Communications equipment
- Cable TV equipment
- Circuit breakers
- Timers
- Thermostatic controls

KEY FEATURES:

- Gold contacts
- Up to 8 positions
- Life: 10,000 mechanical actuation (nom.)
- Variety of actuator lengths
- Glass to metal sealed header
- PC terminals
- Sub-miniature package size (.36" diameter)

ACTUAL SIZE

ORDERING INFORMATION:

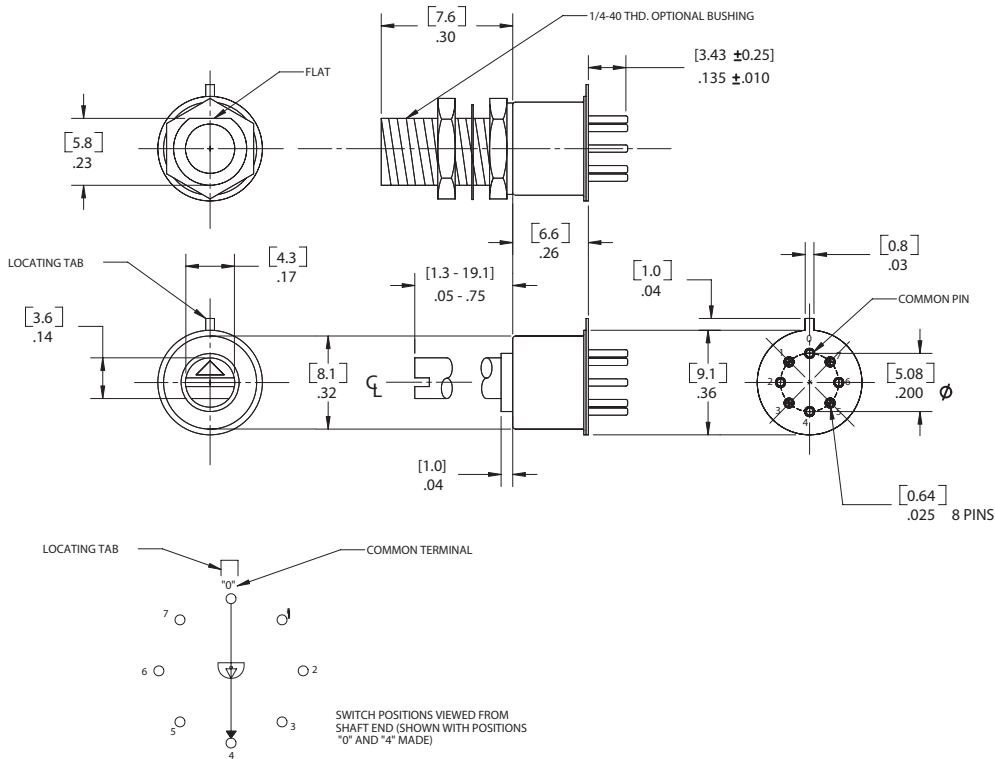
Part Number	Positions	Shaft Length	Custom *
030-202-018	2	0.18	—
030-303-018	3	0.18	—
030-404-018	4	0.18	—
030-404-904	4	0.05	Black Insert, Spacer, No Post
030-404-905	4	0.05	Red Insert, Micro Plastic Spacer
030-505-018	5	0.18	—
030-505-906	5	0.05	Black Insert, Spacer, No Post
030-606-018	6	0.18	—
030-606-902	6	0.30	Black Insert, Spacer, No Post
030-808-005	8	0.05	—
030-808-030	8	0.30	—
030-808-907	8	0.05	Black Insert, Spacer, No Post
030-808-908	8	0.30	Black Insert, Spacer, No Post
030-808-909	8	0.30	No Insert, Spacer, No Post

* Subject to change without notice, all orders are NC & NR.

STANDARDS / AGENCY / RATINGS:



030-XOX-XXX



MECHANICAL / ELECTRICAL CHARACTERISTICS:

Contact rating:
dry circuit to 500 mA
@ 125 VAC

Contact material:
hard gold over barrier

Contact resistance:
80 milliohms Max (initially)

Life:
10,000 actuations

End of life criteria:
100 milliohms
contact resistance

Angle of throw:
45° / position—
8 positions max

Breakdown voltage:
500 V 60 HZ

Insulation resistance:
50,000 megohms

Actuation torque:
85 inch—grams nom initially

Temperature range:
-30°C to +100°C

030-XOX-9XX

