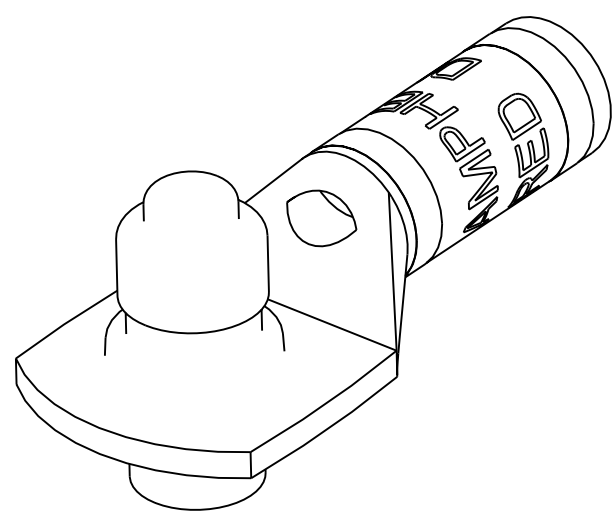
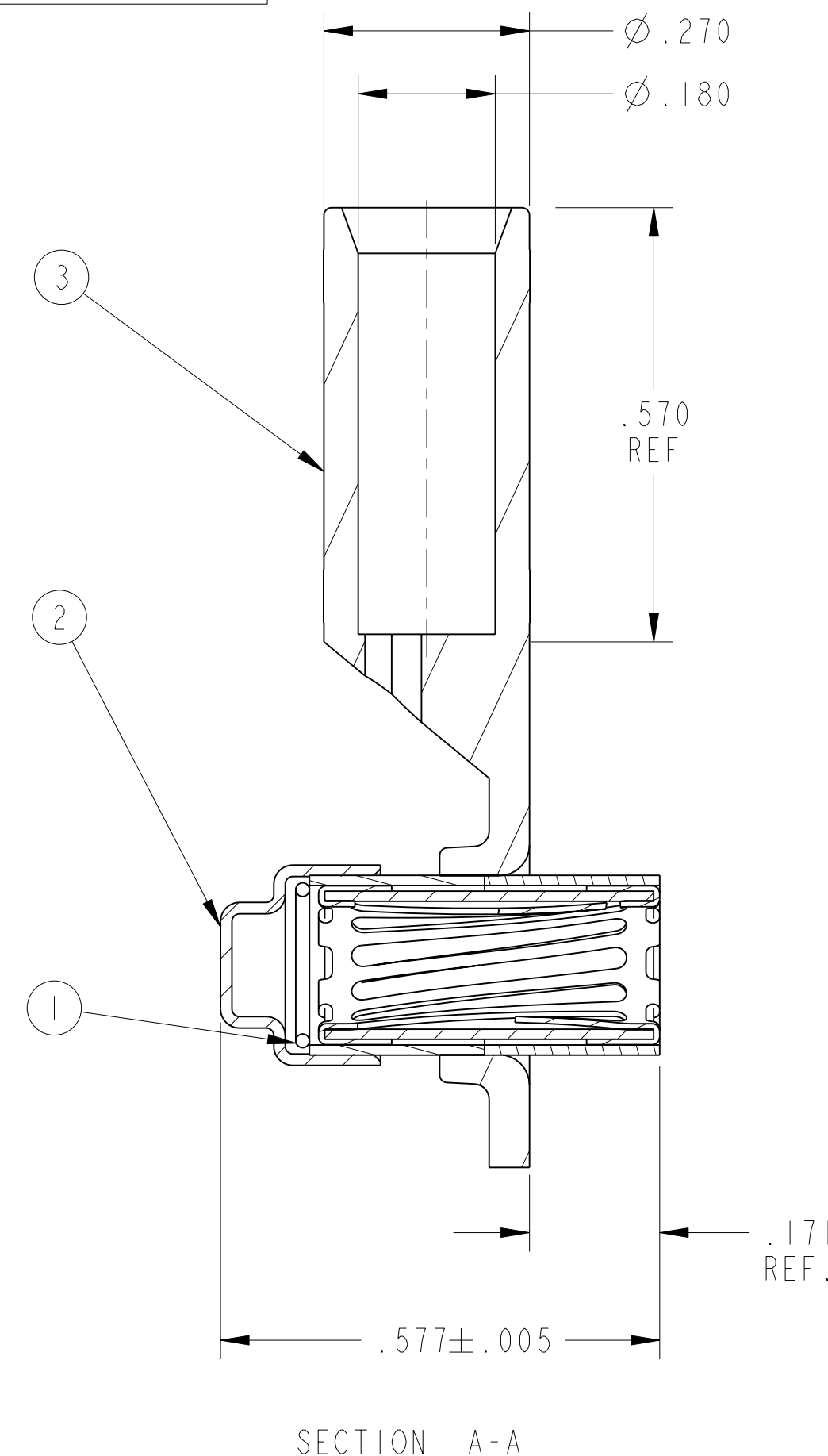
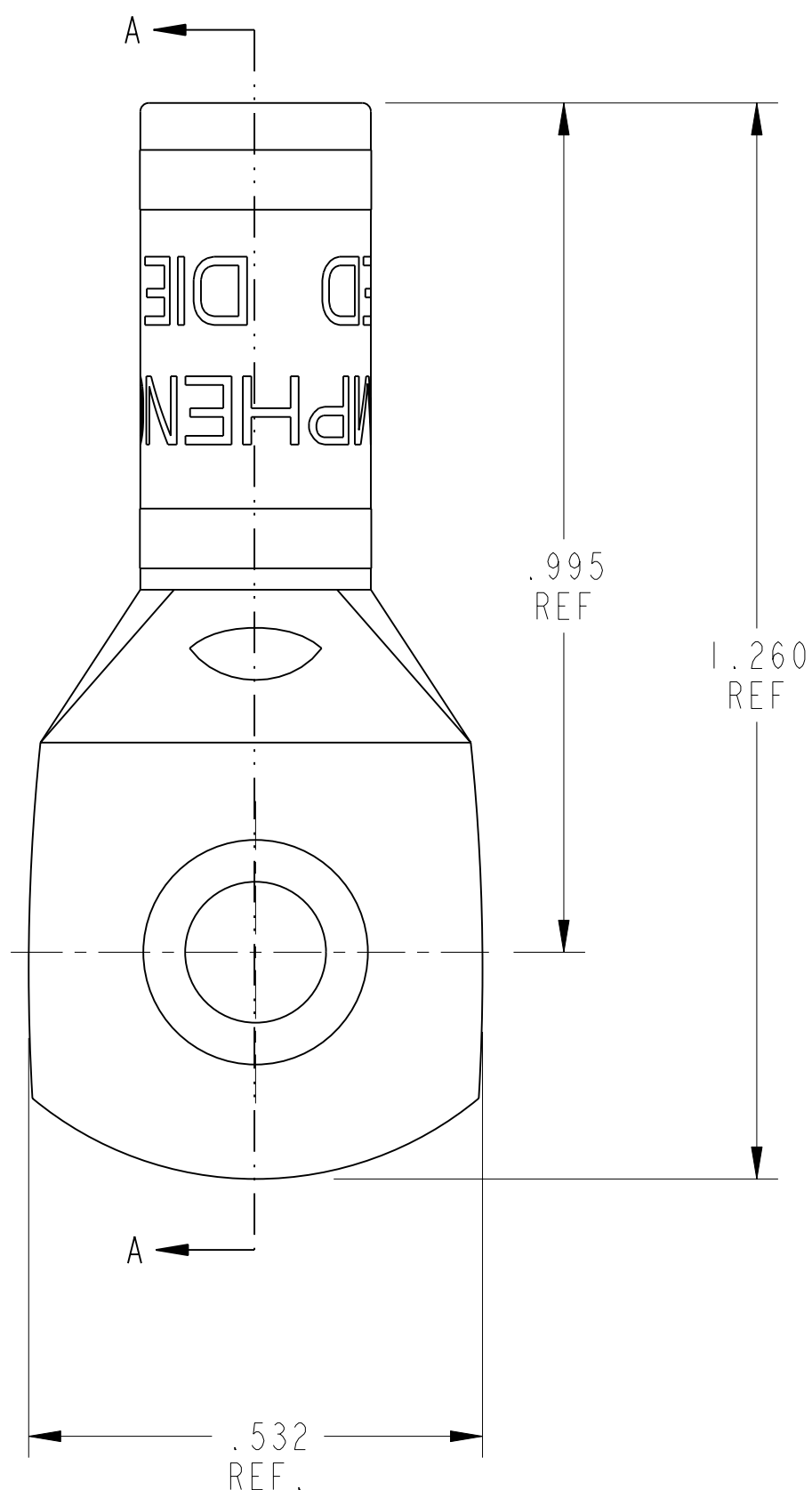


REV. A		SHEET 1 OF 1		DOCUMENT NO. 10-647159-08( )	
REVISIONS					
LTR	DESCRIPTION		DATE		
A	INITIAL RELEASE				

PART NUMBER	ITEM #3	RADSOK FINISH	LUG FINISH	CAP FINISH
10-647159-081	10-639352-081	SILVER	TIN	TIN
10-647159-084	10-639352-084	NICKEL	TIN	TIN
10-647159-085	10-639352-085	GOLD	TIN	TIN



SCALE 3.000



2) CRIMP BARREL SHOWN ACCEPTS #8 AWG WIRE. RECOMMENDED CRIMP TOOL: BURNDY #Y750HS, DIE #U8CRT OR EQUIV.

1) PRESS ITEM #2(CAP) ONTO ITEM #3(RADSOK) TO DIMENSION SHOWN.

**NOTES:**

THE USE OF THIS DOCUMENT IS UNLIMITED. HOWEVER, DOCUMENTS REFERENCED HEREON MAY CONTAIN LIMITED RIGHTS DATA.

RELEASED / Sep . 14 2006, 10:18 AM

DOCUMENT NO. 10-647159-08( )

SHEET 1 OF 1

REV. A

N/A	PRO/ENGINEER INFORMATION
10-647183	Pro/e Model Used:
NEXT ASSEMBLY	10-647159-08.ASSEM
	Drawing Name:
	10-647159-08

UNLESS OTHERWISE SPECIFIED  
 LINEAR DIMENSIONS ARE IN INCHES  
 TOLERANCES:  
 .XXXX = ±.0005 ANGLES= ±2°  
 .XXX = ±.010  
 .XX = ±.03  
 .X = ±.1  
 DIM. & TOL. PER ASME Y14.5M;  
 DRM PER MIL-DTL-31000;  
 OTHER Amphenol Sds. PER 9-3800  
 LEGENDS:  
 =FLAG NOTE CALL OUT REFERENCE ONLY

SPECIFICATIONS  
 MATERIAL SPEC.  
 N/A  
 -  
 -  
 PROCESS SPEC.  
 N/A  
 -  
 -

POS	QTY	PART NUMBER	DESCRIPTION	NOTE
3	1	SEE CHART	3.6MM SURLOK LUG ASSEMBLY	
2	1	10-647165-003	3.6MM SURLOK CAP	
1	1	10-647162-000	3.6MM SURLOK WIRE CLIP	

APPROVALS	DATE
PREPARED BY DERIC LI	
ENGINEER IN CHARGE M. UPPLERGER	03-Aug-06
DESIGN MANAGER J. SANDBURG	
DESIGN ACTIVITY GROUP	
THIRD ANGLE PROJECTION	

PARTS LIST			
<b>AMPHENOL CORPORATION</b> 40-60 DELAWARE AVENUE SIDNEY, N.Y. 13838			
<b>3.6MM SURLOK RADSOK SUB ASSEMBLY(8 AWG)</b>			
SIZE <b>C</b>	CAGE CODE <b>77820</b>	DOCUMENT NO. <b>10-647159-08( )</b>	REV. <b>A</b>
SCALE: 5.0 REF: 10-647173-01( )		SHEET 1 OF 1	

DOCUMENT NO. 10-647159-08( ) SHEET 1 OF 1 REV. A

DOCUMENT NO. 10-647159-08( ) SHEET 1 OF 1

U

1

DOCUMENT NO. 10-647159-08( ) SHEET 1 OF 1 REV. A

C

B

A

FORMAT: C-U-L-R-REV-B