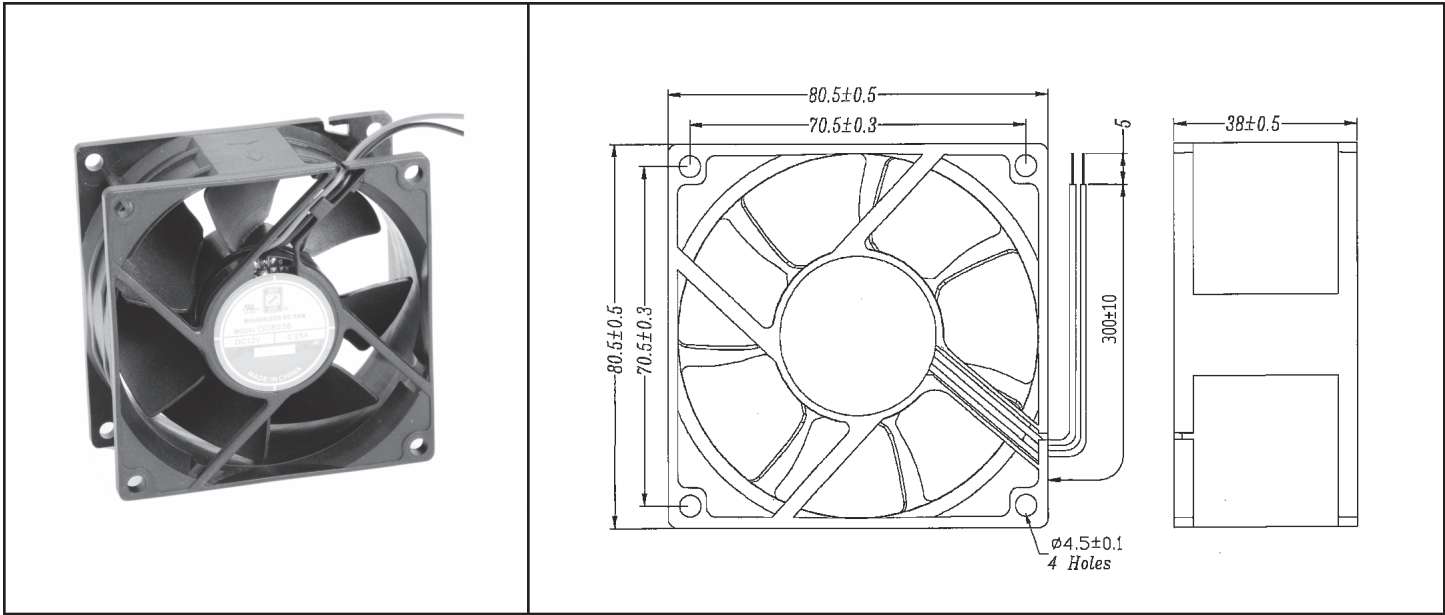


OD8038 Series



DC Fan - 12, 24V
80x38mm (3.15"x 1.5")



Frame & Impeller	PBT, UL94V-0 plastic	Options Tachometer (FG) Locked Rotor Alarm (RD) Thermal Control 48V available Weight: ~0.22 lbs. Life Expectancy (L10) 50,000 hours (40C) m1	
Connection	2x Lead wires, Red(+), Black (-)		
Motor	Brushless DC, auto restart, polarity protected.		
Bearing System	Dual ball bearing		
Insulation Resistance	Min. 10M at 500VDC		
Dielectric Strength	1 minute at 500 VAC, max leakage < 500 MicroAmp		
Temperature Range	-10C ~ 70C		
Storage Temperature	-40C ~ +80C		

Model Number	Speed (RPM)	Airflow (CFM)	Noise (dB)	Volts DC	Input Power (Watts)	Amps	Max. Static Pressure (H ₂ O)
OD8038-12HHB	4000	61	44	12	6.2	0.52	0.30
OD8038-12HB	3500	54	40	12	3.9	0.33	0.23
OD8038-12MB	3000	46	36	12	2.5	0.21	0.17
OD8038-12LB	2500	38	32	12	1.7	0.14	0.12
OD8038-24HB	3500	54	40	24	5.8	0.14	0.23
OD8038-24MB	3000	46	36	24	4.3	0.10	0.17
OD8038-24LB	2500	38	32	24	3.4	0.08	0.12