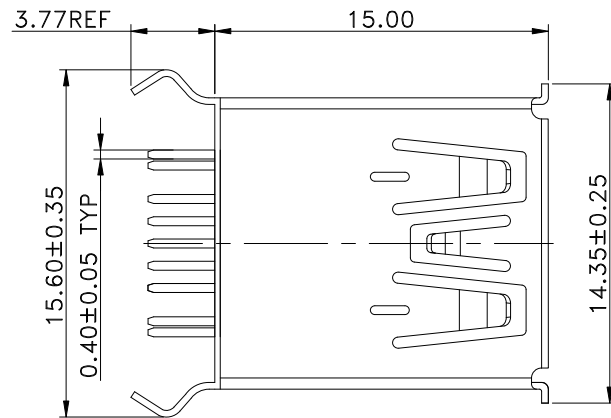


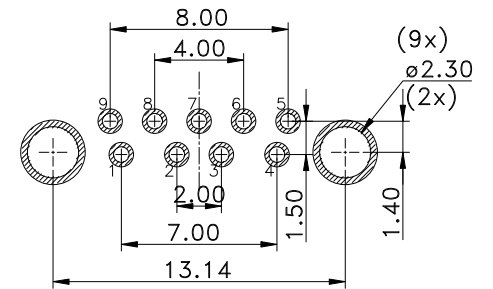
PRODUCT NUMBER
10132432-000XLF



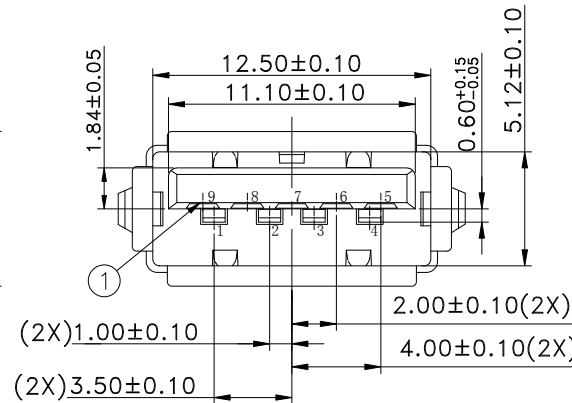
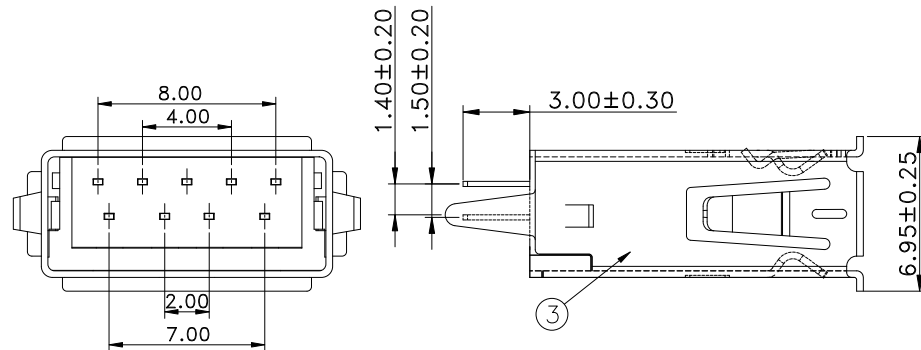
NOTE:

1. PRODUCT SPECIFICATION: GS-12-1273.
2. PACKAGE SPECIFICATION: GS-14-2423.
3. THE HOUSING WILL WITHSTAND EXPOSURE TO 235°C PEAK TEMPERATURE FOR 5 SEC. IN A WAVE SOLDERING APPLICATION.
4. PART NUMBER:
10132432-000 X X LF

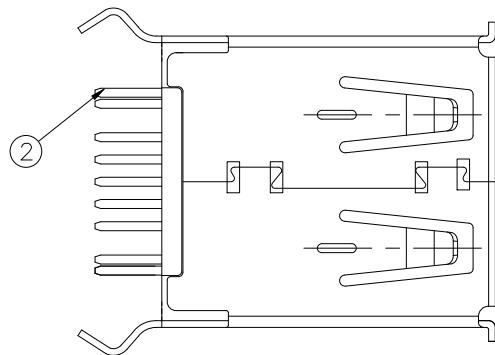
PLATING: _____ PACKAGE:
1: G/F ON CONTACT 1: TRAY
2: 30u" Au ON CONTACT



PCB HOLES (TOP VIEW), FOR 1.6mm PCB
NOTE: GENERAL TOLERANCE: ±0.05mm



Pin No.	Signal Name	Pin No.	Signal Name
1	VBUS	5	SSRX-
2	D-	6	SSRX+
3	D+	7	GND
4	GND	8	SSTX-
SHELL	SHIELD	9	SSTX+



NO.	PART NAME	TER'NO.	QTY.	MATERIAL	REMARK
③	SHELL	1		BRASS	Ni-PLATED
②	TERMINAL	9		COPPER ALLOY	AU/Sn-PLATED
①	HOUSING	1		HIGH TEMP. THERMOPLASTIC, UL 94V-0	BLUE

mat'l. code	surface	tolerance	projection	product family	
		✓	⊕	USB 3.0	
ltr	ecn no	dr	date	tolerances unless otherwise specified	
A		TAI	2014-11-25	angles	
				16<L≤63 ±0.4	
				4<L≤16 ±0.3	
				X°±5°	
				L≤4 ±0.2	
		dr	KENNY TAI	2014-11-25	
		enr	KENNY TAI	2014-11-25	
		chr	KENNY TAI	2014-11-25	
		appd	PM ZHENG	2014-11-25	
sheet index	revision sheet	A	1		

product family	sheet 1 of 1	size
USB 3.0		A4
title	10132432	
USB 3.0 REC. CONN. TYPE A, V/T THROUGH HOLE		
scale	type	CUSTOMER Drawing