

# High Performance ASIC Cooling Solutions w/Thermal Tape Attachment\*

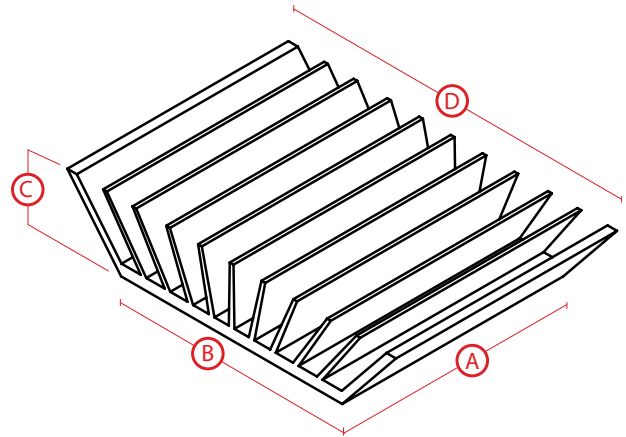
DIGI-KEY PART # ATS1352-ND

ATS PART # ATS-56007-C4-R0

## Features & Benefits

maxiFLOW™ design features a low profile, spread fin array that maximizes surface area for more effective convection (air) cooling

Designed specifically for ASIC package and their unique cooling requirements



## Thermal Performance Table

AIR VELOCITY		THERMAL RESISTANCE	
FT/MIN	M/S	°C/W (UNDUCTED)	°C/W (DUCTED)
200	1.0	2.4	1.7
300	1.5	2	
400	2.0	1.7	
500	2.5	1.5	
600	3.0	1.3	
700	3.5	1.2	
800	4.0	1.1	

## Product Details†

DIMENSION A	DIMENSION B	DIMENSION C <sup>§</sup>	DIMENSION D	TIM <sup>‡</sup>	FINISH
45	45	15	64	NO TIM	BLACK-ANODIZED

For further technical information, please contact Advanced Thermal Solutions, Inc. at **1-781-769-2800** or [www.qats.com](http://www.qats.com)

\* RoHS Compliant

‡ TIM = Thermal Interface Material

† Dimensions are measured in millimeters

§ Dimension C = the height of the heat sink shown above and does not include the height of the attachment method



**ATS** ADVANCED THERMAL SOLUTIONS, INC.

Innovations in Thermal Management®



To place an order, please visit [www.digikey.com](http://www.digikey.com)