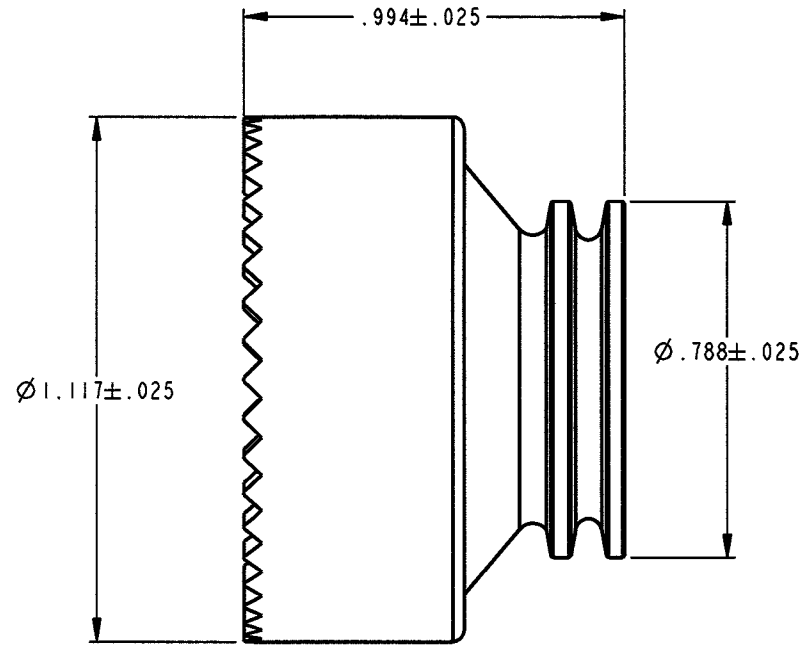
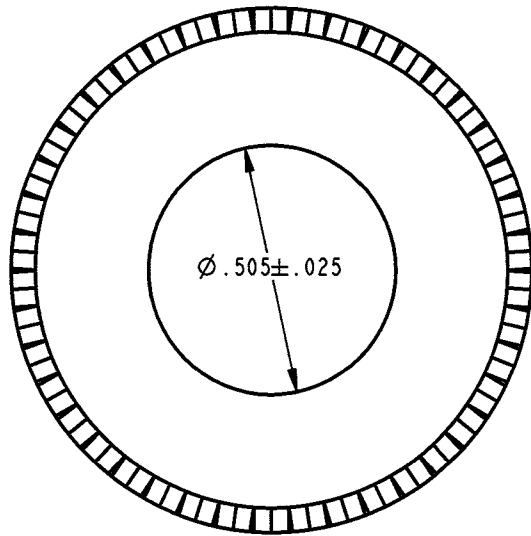


PROPERTY OF DEUTSCH E.C.D.

This drawing contains proprietary information that shall not be disclosed, duplicated, nor used in whole or in part for any purpose other than to evaluate this drawing.

A	0818-201-2001	REVISIONS			
		REV	DESCRIPTION	DATE	APPROVED
A			REVISED PER E.O. DI410	6/19/95	T.H.



4. ALLISON PART NUMBER WTA10-20-02/16 REF.
3. FOLLOWER IS FOR 16 MM SPLIT CONVOLUTED TUBING.
2. MATERIAL: HIGH GRADE PLASTIC (BLACK).
1. ALL DIMENSIONS ARE IN INCHES UNLESS OTHERWISE SPECIFIED.

SIGNATURE & DATE		<p>FOLLOWER ALLISON WTA10-20-00/16 BACKSHELL SYSTEM SIZE 20 FOR 16 MM TUBING ENVELOPE</p>	CP	MATL CODE	
DR	R. GROSS 11-1-94		<p><b>DEUTSCH</b> ENGINEERED CONNECTING DEVICES 5733 W. Whittier Ave. Hemel, California</p>		
CHK	J. POWELL 11-9-94		<p><b>A</b> DWG SIZE</p>	0818-201-2001	
PE	R. GROSS 11-1-94			CODE 11139	SHEET 1 OF 1
APPD	<i>[Signature]</i>				
SCALE	NONE	WT			