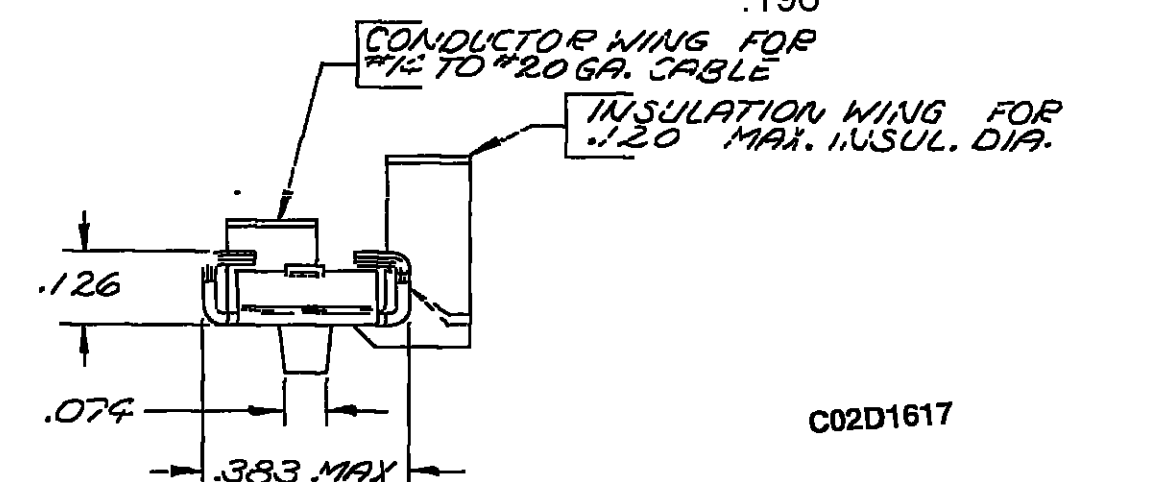
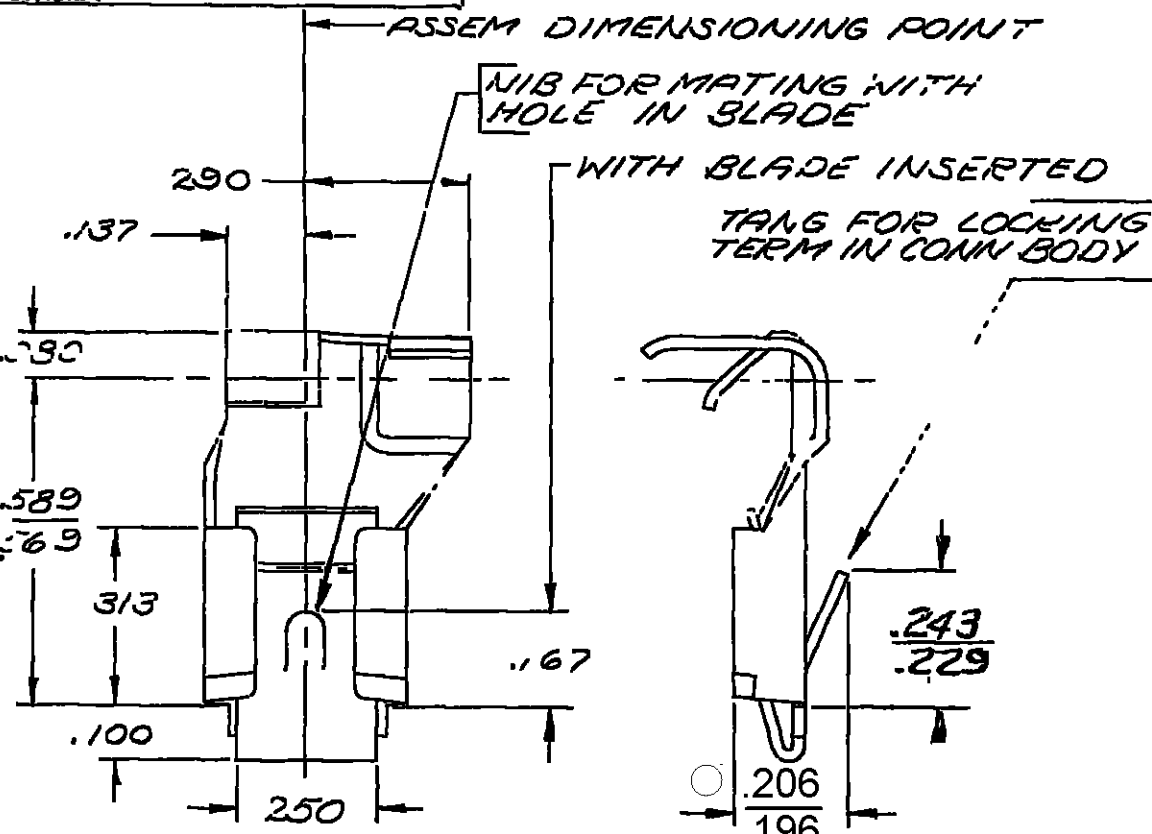


PACKARD ELECTRIC DIVISION  
 GENERAL MOTORS CORPORATION  
 WARREN, OHIO

**DO NOT SCALE**

THIS DRAWING AND DESIGN HEREON CONSTITUTE A PROPRIETARY DESIGN OF PACKARD ELECTRIC DIVISION AND IS NOT TO BE DUPLICATED OR REPRODUCED WITHOUT AUTHORITY OF PACKARD ELECTRIC DIVISION



NOTE — TO FIT .032 x .312 SLADE — **OUTLINE DRAWING**

PART NO **2973722** SIZE **A**

DATE	SYM	REVISION RECORD	C/N NO.
2-22-60	∞	REVISED & REDRAWN	608
3-31-60	∞	TIN-ZINC PLATED WAS	1015
		TIN PLATED	
1-4-61	∞	FEMALE WAS SIDE TERM	3562
5-31-61	∞	#14 TO #20 WAS #16, #18 OR #20 - 2 PLACES	4772
		312 WAS 5/16	
2-19-69	∞	MAT'L SPEC WAS BRASS-TIN-ZINC PLATED	34267
4-9-69	∞	MAT'L THK. WAS 0179	36300
5-17-70	∞	REVISED	40752
12-18-74	-	MAT'L SPEC REVISED	54420
06DE10	-	.206/196 WAS .201/194	412759

CODE NO **6900**

TOLERANCE UNLESS OTHERWISE SPECIFIED

DECIMAL ±.005

FRACTIONAL

ANGULAR

DWG DATE **6-24-59** SCALE **NONE** DR **PLYLER**

ROUTING DEPT OUTST REFERENCE

SCALE **M** CK **Peace 2-25-60**

REFERENCE **2973723-D(C)** APPR **Pat. Prop. 2-29**

MATERIAL SPEC **.018 THK. SAE CA 210 BRASS-TIN PLATED** CODE NO

NAME **TERMINAL FEMALE - '59 SERIES FOR #14 TO #20 GA CABLE**

PART NO **2973722** SIZE **A**