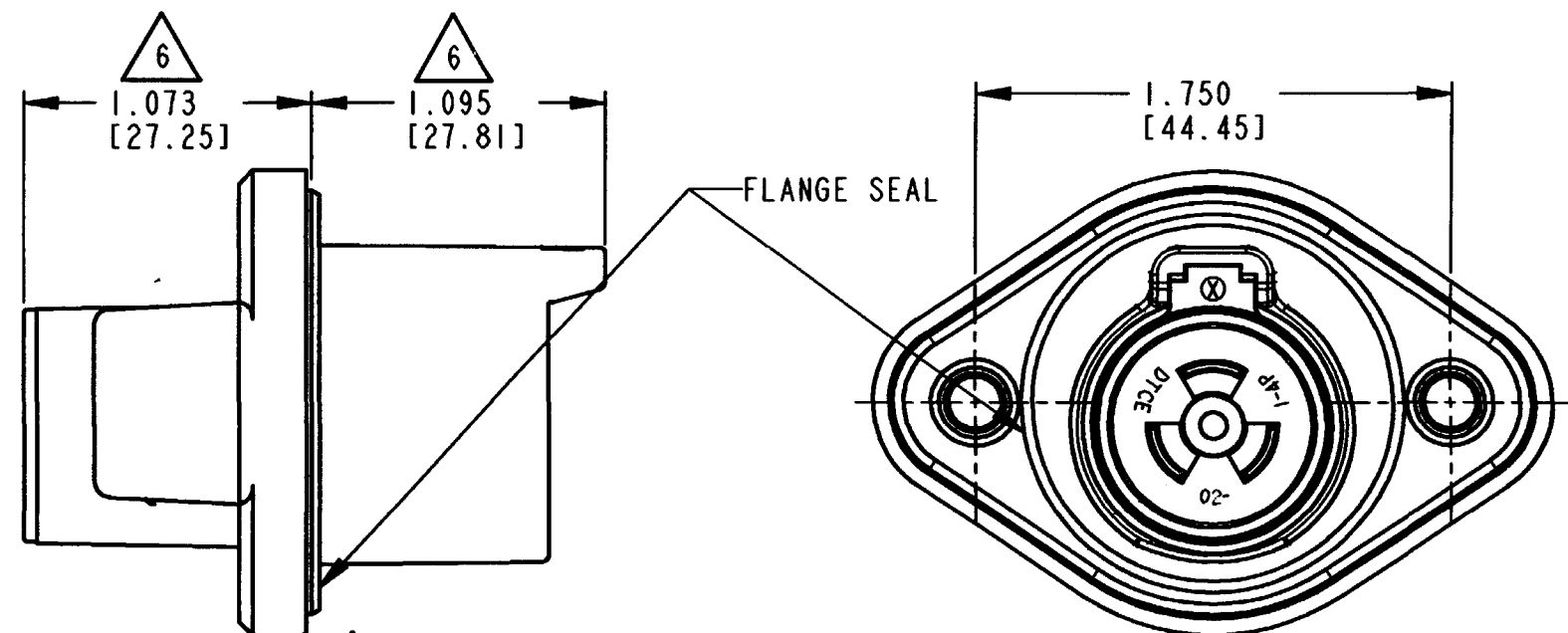
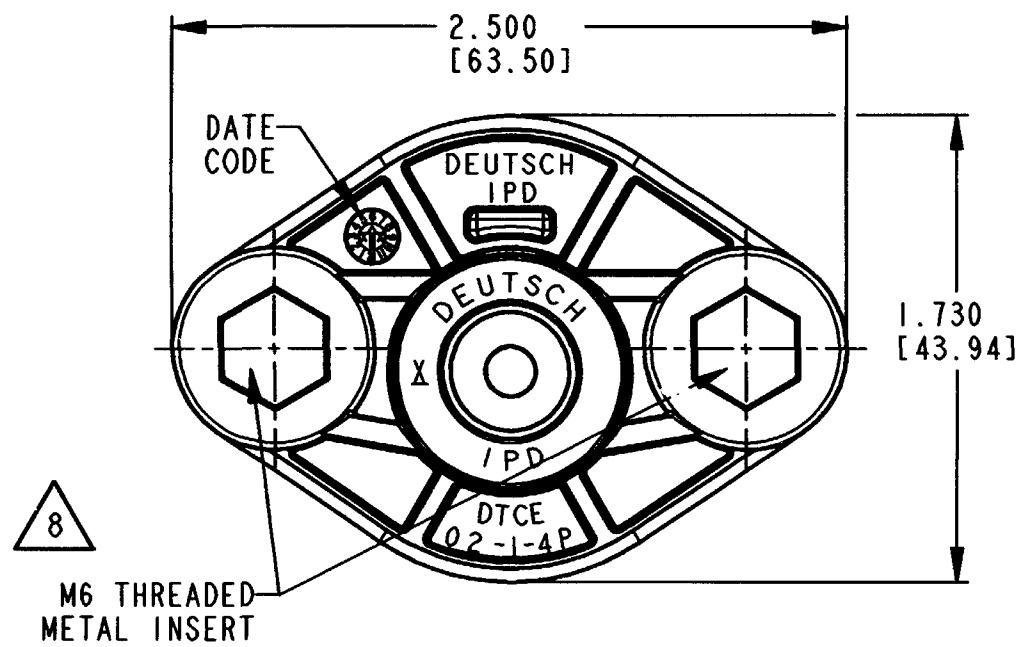


REV B DTCE02-1-4P-E003

REVISIONS			
SYM	DESCRIPTION	DATE	APPROVED
NC	NEW RELEASE PER E.O. P16491	1-28-00	JN
A	REVISED PER E.O. P17030	6-29-01	RDR
B	REVISED PER E.O. P19768	2-22-08	RDR

3 RECOMMENDED PANEL DETAIL



8 RECOMMENDED MOUNTING SCREW TORQUE : 84 ± 32 IN LB [9.5 ± 3.6 NM].

7. THIS CONNECTOR SERIES WILL ACCOMMODATE THE FOLLOWING WIRE INSULATION DIAMETERS:

CONTACT SIZE	MINIMUM O.D.	MAXIMUM O.D.
4-6	.280 [7.11]	.360 [9.14]

- 6. DIMENSIONED TO EDGE OF THREADED METAL INSERT.
- 5. FOR CONTACT INFORMATION, SEE ENVELOPE DRAWING 4025-001-0000. FOR FURTHER INFORMATION CONTACT FACTORY.
- 4. THIS RECEPTACLE MATES WITH DTCE 06-1-4S-\*\*\*\* PLUG (\*\*\*\* = ALL MODIFICATIONS).
- 3. PANEL TO BE FLAT AND FREE FROM BURRS OR SHARP EDGES.
- 2. DIMENSIONS ARE INCHES [MILLIMETERS].
- 1. DIMENSIONS ARE ±.025 [.63], UNLESS OTHERWISE SPECIFIED.

NOTES:

SIGNATURE & DATE	
DR	J. HAYNES 01/14/2000
CHK	D. Whitaker 2/22/08
PE	R. Milligan 3/20/08
APPD	D. Meyer 2/20/08
SCALE	NONE - WT

RECEPTACLE  
FLANGE MOUNT WITH  
THREADED METAL INSERTS  
-E003 MOD  
DTCE SERIES  
COLOR: BLACK  
ENVELOPE

EP	MATL. CODE
3850 INDUSTRIAL AVE. HEMET, CA 92545	
<b>DEUTSCH</b> INDUSTRIAL	
<b>B</b> DTCE02-1-4P-E003	
DWG SIZE	SHEET   OF