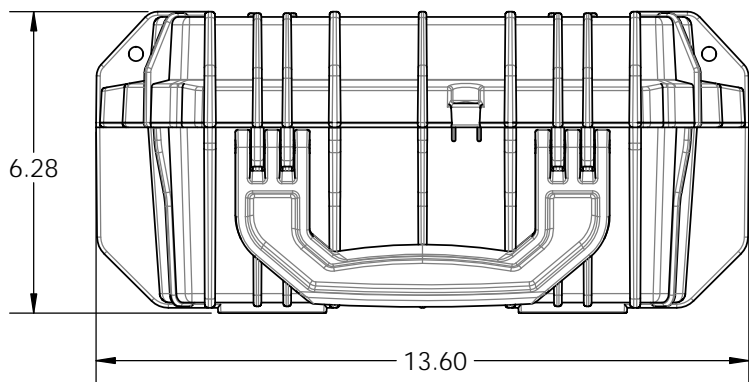
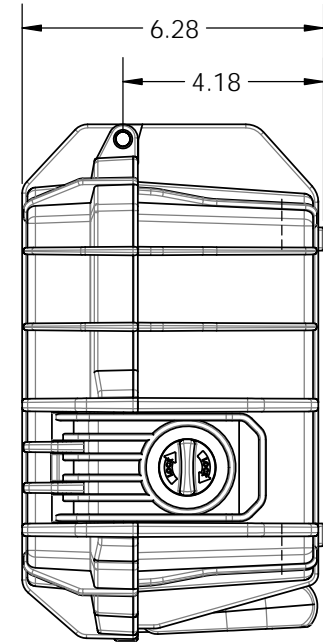
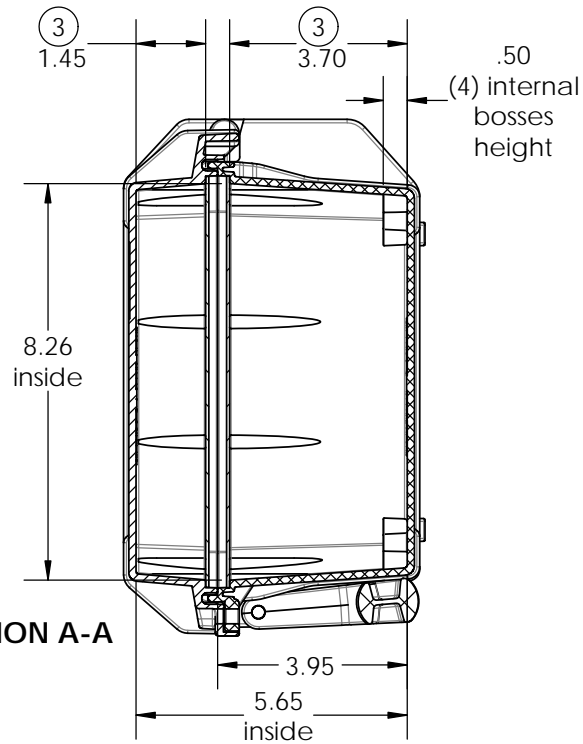
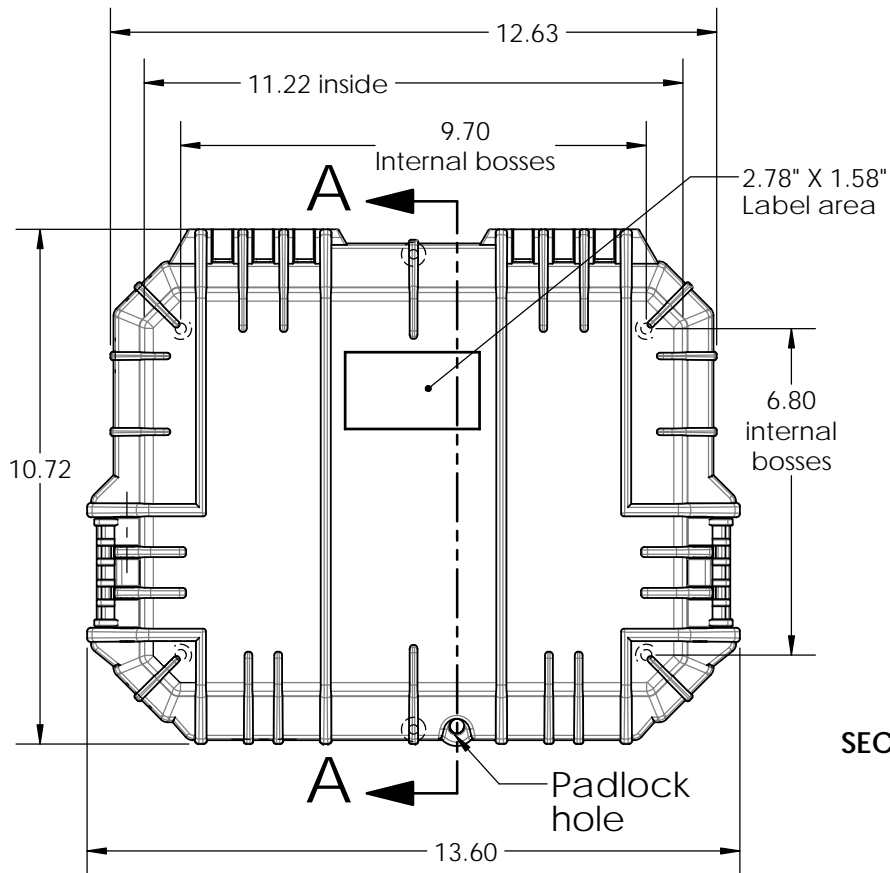
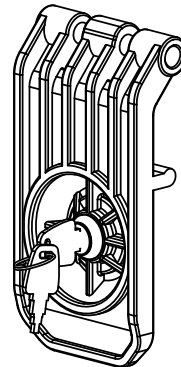


SERPAC SE430

Electronic Enclosures



SE430ML
Optional latch with metal lock. See note 4



NOTES:

- 1) Max. usable inside dimensions are:
11.22" X 8.26" X 5.65" (5.15" top of boss)
dim. are approx.
- 2) Bosses on bottom use a 1/4 self tapping screw.
- 3) Dimensions to bottom of panel flange
- 4) Optional latches with Metal Lock
Specify p/n SE430ML.