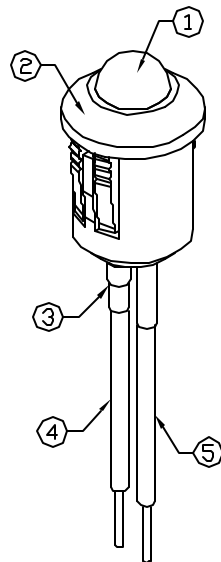
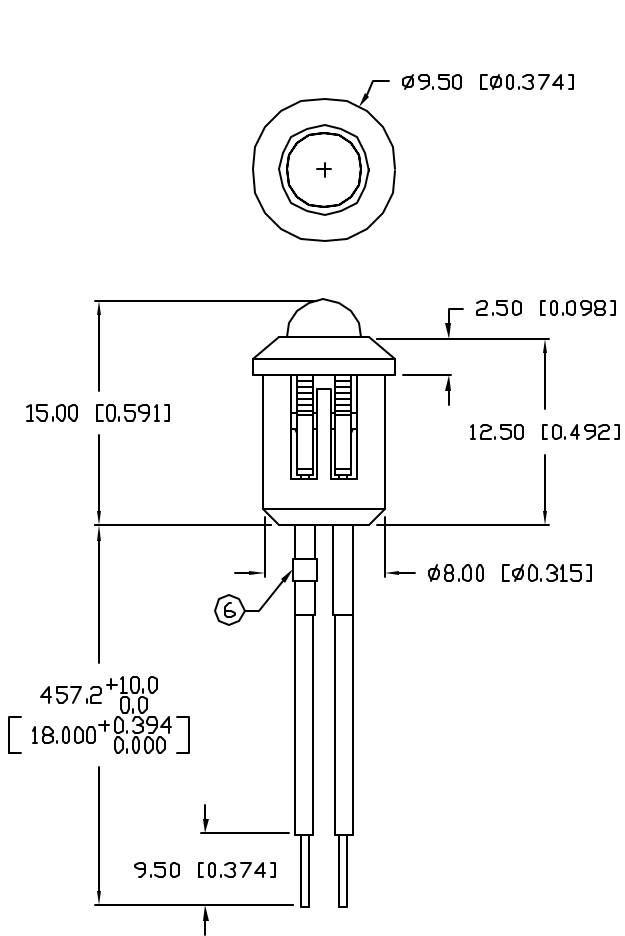
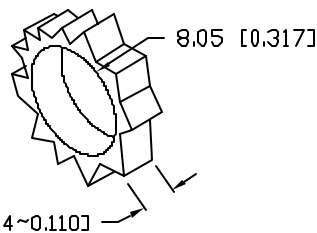


UNCONTROLLED DOCUMENT

CAUTION: PRESSURE SENSITIVE ASSEMBLY  
AVOID APPLYING PRESSURE TO LED  
DURING PANEL ASSEMBLY.



PANEL CUTOUT



PART NUMBER		REV.
SSI-LXR5010GD28450		B
REV.	E.C.N. NUMBER AND REVISION COMMENTS	DATE
A	E.C.N. #10BRDR.	6.17.99
B	E.C.N. #10BRDR. & REDRAWN IN 3D.	1.5.02

ELECTRO-OPTICAL CHARACTERISTICS $T_A=25^\circ\text{C}$		$V_f=28\text{V}$		
PARAMETER	MIN	TYP	MAX	UNITS TEST COND
PEAK WAVELENGTH		565		nm
FORWARD VOLTAGE		28.0		$V_f$
REVERSE VOLTAGE	5.0			$V_r$ $I_r=100\mu\text{A}$
AXIAL INTENSITY		20		mcd $V_f=28\text{V}$
VIEWING ANGLE		60		2x theta
EMITTED COLOR:	GREEN			
EPOXY LENS FINISH:	GREEN DIFFUSED			

LIMITS OF SAFE OPERATION AT 25°C


PARAMETER	MAX	UNITS
PEAK FORWARD VOLTAGE	28	V
STEADY CURRENT	12	mA
POWER DISSIPATION	310	mW
DERATE FROM 25°C	-1.2	mW/°C
OPERATING, STORAGE TEMP.	-40 TO +85	°C

NOTES:

- SSL-LX5093GD, GREEN LED. TRIM LEADS TO 3-4mm.
- SSH-RTF5010, BLACK HOLDER.
- LXP-HEATSHRINK-2, (2 PCS.) 1/16" x 1/2".
- ANODE LEAD: LXP-WST24R0TOC, CUT 430mm LONG, STRIP ENDS 3mm & 9.5mm.
- CATHODE LEAD: LXP-WST24BLTOC, CUT 465mm LONG, STRIP ENDS 3mm & 9.5mm.
- LXP-RES 2000, 1/2W, CUT 22-24mm.

UNCONTROLLED DOCUMENT

\*UNLESS OTHERWISE SPECIFIED TOLERANCES PER DECIMAL PRECISION ARE: X=±1 (±0.039), XX=±0.5 (±0.020), XXX=±0.25 (±0.010), XXXX=±0.127 (±0.005). LEAD SIZE=±0.05 (±0.002), LEAD LENGTH=±0.75 (±0.030), MIN=+DECIMAL PRECISION MAX.=+0.00 -DECIMAL PRECISION

REV.	PART NUMBER	CONFIDENTIAL INFORMATION		 290 E. HELEN ROAD PALATINE, IL 60067-6976 PHONE: +1.847.359.2790 US WEB: www.lumex.com TW WEB: www.lumex.com.tw
B	SSI-LXR5010GD28450	THE INFORMATION CONTAINED IN THIS DOCUMENT IS THE PROPERTY OF LUMEX INC. EXCEPT AS SPECIFICALLY AUTHORIZED IN WRITING BY LUMEX INC, THE HOLDER OF THIS DOCUMENT SHALL KEEP ALL INFORMATION CONTAINED HEREIN CONFIDENTIAL AND SHALL PROTECT SAME IN WHOLE OR IN PART FROM DISCLOSURE AND DISSEMINATION TO ALL THIRD PARTIES.		
T-5mm, 565nm GREEN LED PANEL INDICATOR, GREEN DIFFUSED LENS, 18" WIRE LEADS, 28 VOLTS.		RELIABILITY NOTE OUR MANY YEARS OF EXPERIENCE DATA ACCUMULATION INDICATE THAT SOLDER HEAT IS A MAJOR CAUSE OF EARLY AND FUTURE FAILURE. PLEASE PAY ATTENTION TO YOUR SOLDERING PROCESS.		DRAWN BY: BC CHECKED BY: APPROVED BY: DATE: 12.11.97 PAGE: 1 OF 1 SCALE: N/A