



# FM SERIES 30 AMP OUTPUT FILTER MODULE

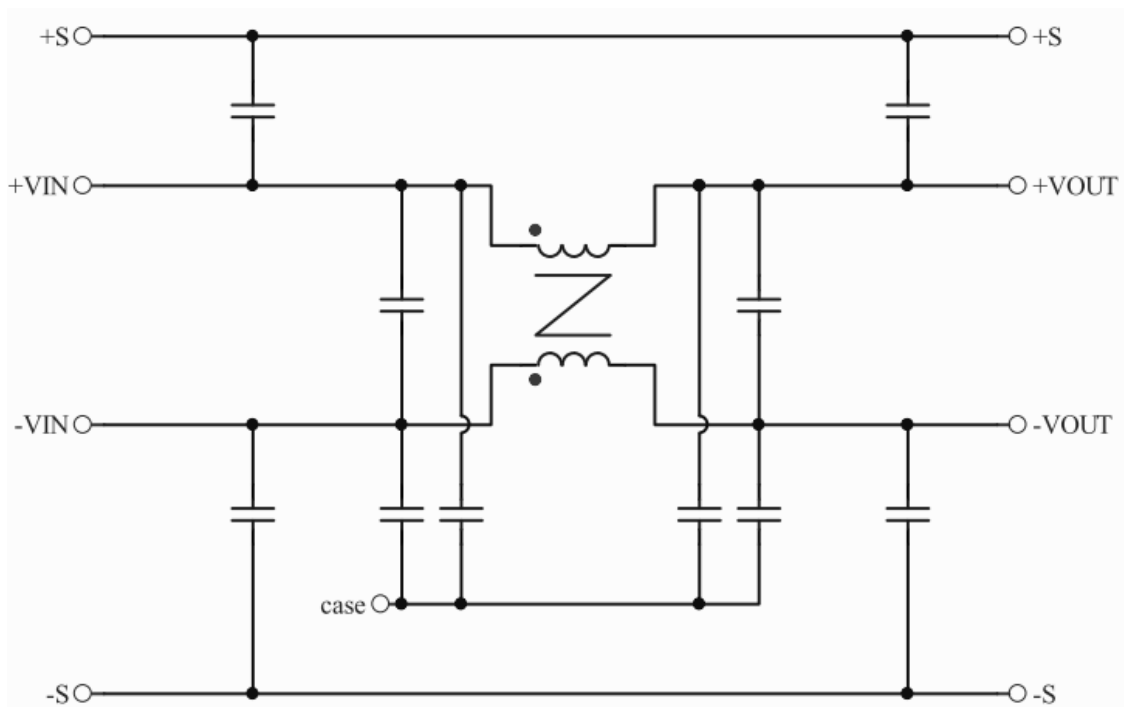


## FEATURES

- \* Compact Size 2.28"x1.45"
- \* Quarter-Brick Size
- \* Six-Sided Shield Metal Case
- \* PCB Mount
- \* 30A Filter Module
- \* 80VDC Input Voltage Maximum
- \* Suitable for EN50121-3-2: 2015 Output Specification
- \* Fire & Smoke Meets EN45545-2



MODEL NUMBER	INPUT VOLTAGE	INPUT SURGE VOLTAGE	OUTPUT RATED CURRENT	DC RESISTANCE (+Vin to +Vo)	DC RESISTANCE (-Vin to -Vo)
FM30R080P	80 VDC max.	100 VDC max.	30 A max.	3.0 mΩ typ.	3.0 mΩ typ.



Schematic for FM30R100P Module

# SPECIFICATIONS

All Specifications Typical At Nominal Line, Full Load, and 25°C Unless Otherwise Noted

## INPUT SPECIFICATIONS:

Input Voltage Range ..... 80Vdc max.  
 Input Surge Voltage ..... 100Vdc/1s  
 Input Rated Current (note 1) ..... 30A max.

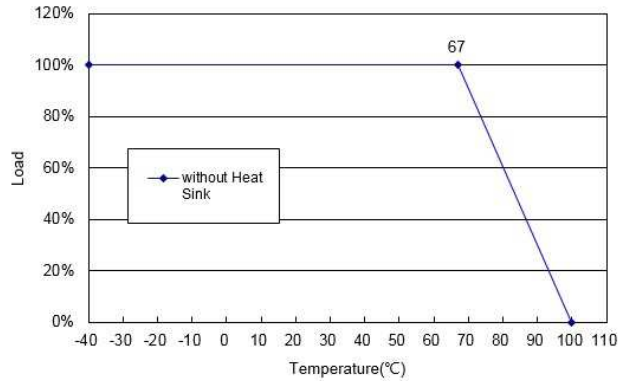
## GENERAL SPECIFICATIONS:

Isolation Voltage ..... Input/Case/Output/Case ..... 1000Vdc min.  
 Isolation Resistance ..... 10<sup>9</sup>ohm min.  
 DC Resistance ..... See Table  
 Operating Case Temperature Range (note1) ..... -40°C to +100°C  
 Storage Temperature Range ..... -55°C to +105°C  
 Dimensions ..... 2.28x1.45x0.50inches (57.9x36.8x12.7mm)  
 Case Materials ..... Aluminum with Non-Conducted Base  
 Weight ..... 60g

## NOTE :

1. Maximum case temperature under any operating condition should not exceed 100°C.

FM30-100 Typical Power De-rating Curve



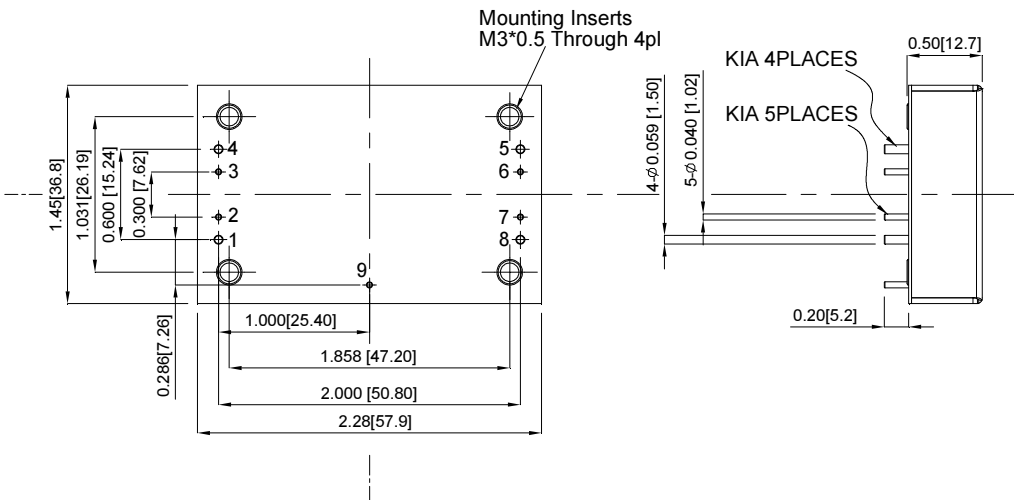
Typical Common-mode Loss for FM30R100P



Typical Differential-mode Loss for FM30R100P

All Dimensions In Inches[mm]  
 Tolerance Inches:x.xx= ±0.02, x.xxx= ±0.010  
 Millimeters:x.x= ±0.5, x.xx=±0.25

## BOTTOM VIEW



PIN CONNECTION	
PIN	Function
1	+V Input
2,7	+Sense
3,6	-Sense
4	-V Input
5	-V Output
8	+V Output
9	Case