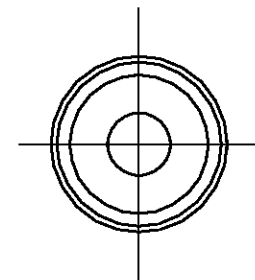
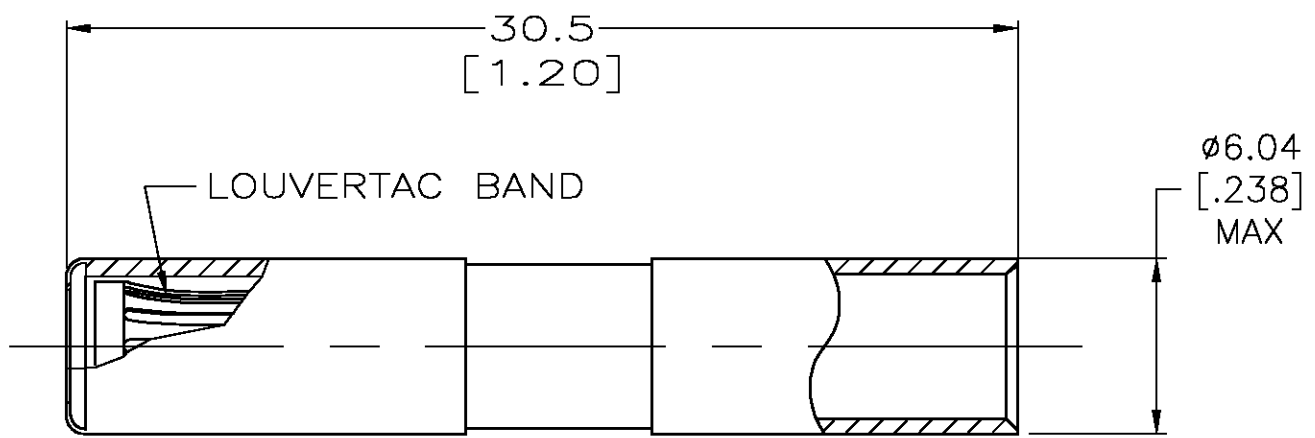


THIS DRAWING IS UNPUBLISHED. RELEASED FOR PUBLICATION
 © COPYRIGHT BY TYCO ELECTRONICS CORPORATION. ALL RIGHTS RESERVED.

LOC	DIST	REVISIONS			
P	LTR	DESCRIPTION	DATE	DWN	APVD
FT	0	A	RELEASED	4/20/05	SS GS

- 1 MATERIAL: COPPER ALLOY.
- 2. WIRE BARREL WILL ACCEPT #8 AWG WIRE.
- 3. MATES WITH AMP P/N 193991-X.
- 4 FINISH: 200 MICROINCHES MIN. SILVER OVER 40 MICROINCHES MIN. NICKEL.
- 5. ALL DIMENSIONS ARE REFERENCE ONLY, UNLESS OTHERWISE SHOWN.



4	193994-2
FINISH	PART NO.

THIS DRAWING IS A CONTROLLED DOCUMENT.		DWN S SCHLEGEL 4/20/05	Tyco Electronics Corporation Harrisburg, Pa 17105-3608	
DIMENSIONS: mm [INCHES]		CHK G STEINHAUER 4/20/05		
TOLERANCES UNLESS OTHERWISE SPECIFIED:		APVD G STEINHAUER 4/20/05	NAME SOCKET, TYPE XII HIGH CURRENT #8 AWG	
0 PLC ± - 1 PLC ± - 2 PLC ± - 3 PLC ± - 4 PLC ± - ANGLES ± -		PRODUCT SPEC -	SIZE A3	
MATERIAL -		APPLICATION SPEC -	CAGE CODE 00779	DRAWING NO 193994
FINISH -		WEIGHT -	RESTRICTED TO -	
		CUSTOMER DRAWING		SCALE NTS
		SHEET 1 OF 1		REV A