

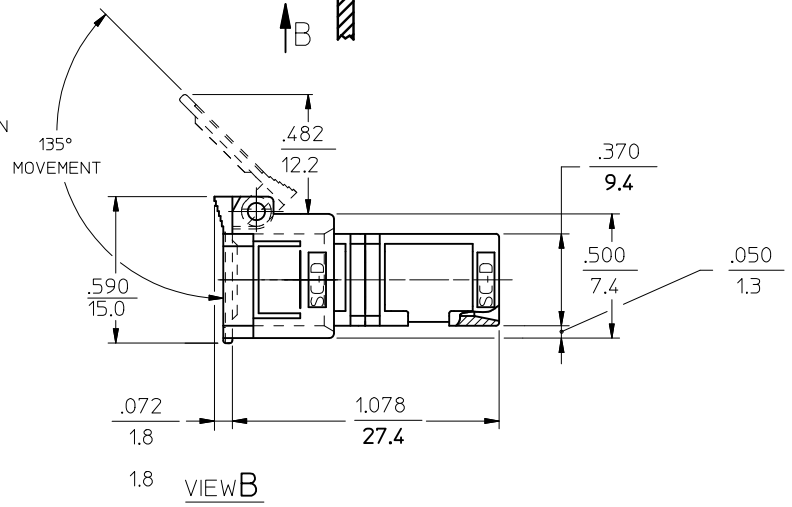
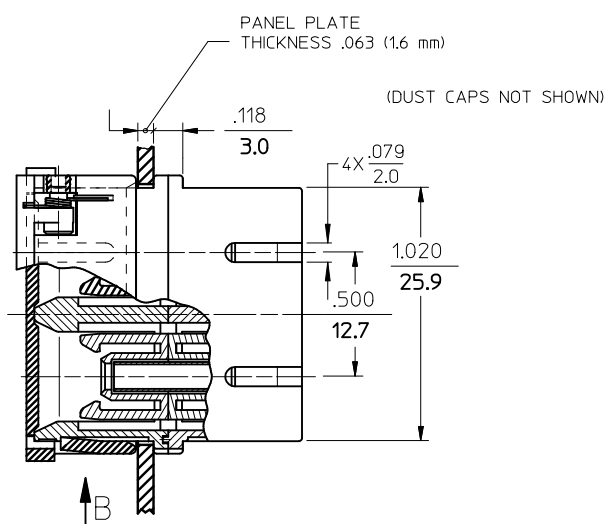
10 9 8 7 6 5 4 3 2 1



VIEW A  
VARIATION 1  
FOR LABEL INSTALLATION

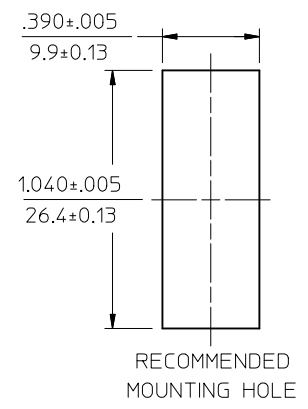


VIEW A  
VARIATION 2  
FOR LABEL INSTALLATION



VIEW B

P/N OF ADAPTER	MATERIAL OF SLEEVE	TYPE	COLOR
106166-0600	ZR	SINGLE MODE	BLUE
106167-0600	PHOSPHOR BRONZE		
106166-0610	ZR	MULTIMODE	BEIGE
106167-0610	PHOSPHOR BRONZE		
106166-0630	ZR		
106167-0630	PHOSPHOR BRONZE		
106166-0650	ZR	APC	GREEN
106167-0650	PHOSPHOR BRONZE	MULTIMODE	AQUA
106167-0620			



NOTES:

- LABEL MUST BE INSTALLED AND ORIENTED BY CUSTOMER. (SEE VIEW A)
- DUST CAPS AND MOUNTING PLATE ARE NOT SHOWN BUT INCLUDED. MOUNTING PLATE IS PACKED WITH ADAPTER AND INSTALLED BY A CUSTOMER.

ENTER DESCRIPTION  
EC NO: MF2011-0258  
DRAWN: KPEVZNER 2010/12/08  
CHKD: WCHEN  
APPR: WCHEN 2010/12/09

QUALITY SYMBOLS  
▽=0  
▽=0

GENERAL TOLERANCES (UNLESS SPECIFIED)	
mm	INCH
4 PLACES ± .005	± .0004
3 PLACES ± .003	± .0003
2 PLACES ± .002	± .0002
1 PLACE ± .001	± .0001
ANGULAR ±1/2°	

DRAFT WHERE APPLICABLE MUST REMAIN WITHIN DIMENSIONS

DIMENSION STYLE IN/MM  
DRAWN BY KPEVZNER DATE 2010/09/30  
CHECKED BY DATE  
APPROVED BY WCHEN DATE 2010/12/09

SCALE 4:1 DESIGN UNITS INCH THIRD ANGLE PROJECTION

TITLE SC DUPLEX ADAPTER WITH SHIELD

MATERIAL NO. SEE TABLE

MOLEX INCORPORATED

DOCUMENT NO. SD-10616X-06X0 SHEET NO. 1 OF 1

THIS DRAWING CONTAINS INFORMATION THAT IS PROPRIETARY TO MOLEX INCORPORATED AND SHOULD NOT BE USED WITHOUT WRITTEN PERMISSION

9 8 7 6 5 4 3 2 1