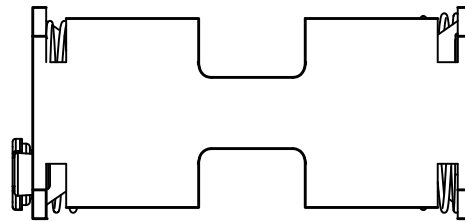
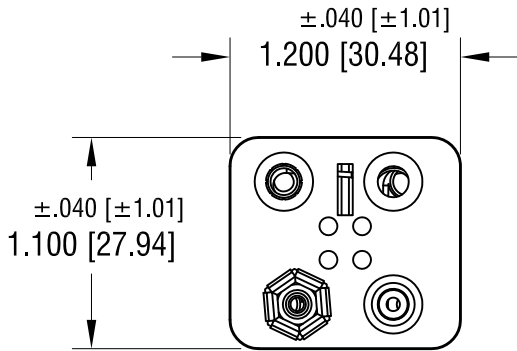
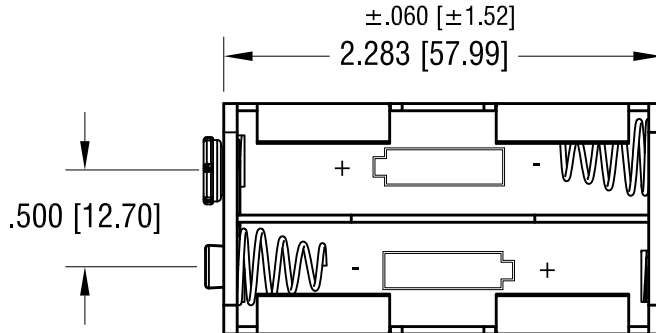
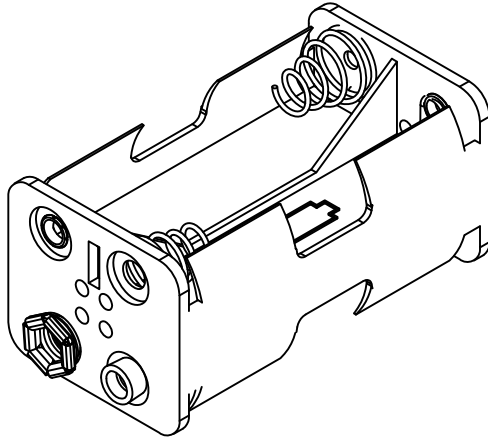


THIS DOCUMENT IS THE PROPERTY OF  
KEYSTONE ELECTRONICS CORP. AND  
SHALL NOT BE REPRODUCED, DISTRIBUTED  
OR USED AS A BASIS FOR MANUFACTURE  
WITHOUT PRIOR WRITTEN PERMISSION  
FROM KEYSTONE ELECTRONICS CORP.



NOTE:

- 1. HOLDER: MAT'L: POLYPROPYLENE
- SPRING: MAT'L: MUSIC WIRE, .027 [0.70] DIA.
- CONTACT: MAT'L: BRASS

**KEYSTONE ELECTRONICS CORP.**

www.keyelco.com • ASTORIA, N.Y. 11105-2017 • Tel (718) 956-8900

PART NAME  
BATTERY HOLDER WITH SNAP-ON, (4) 'AA'

MATERIAL  
AS NOTED

FINISH NICKEL PLATE	DRN BY	BOONE	DATE	5.3.96
	APP'D	LN	SCALE	1X

TOLERANCES	INCH	[MM]	CODE	DWG NO.
DECIMAL	± .010	[± 0.25]	C	2476
ANGULAR	± 1°	UNLESS OTHERWISE SPECIFIED		

7.18.14	CHANGE AS PER ECN 14-074	B
12.26.13	ECN 13-117, (A1) WAS 1.200	A
DATE	DESCRIPTION	REV.