

1

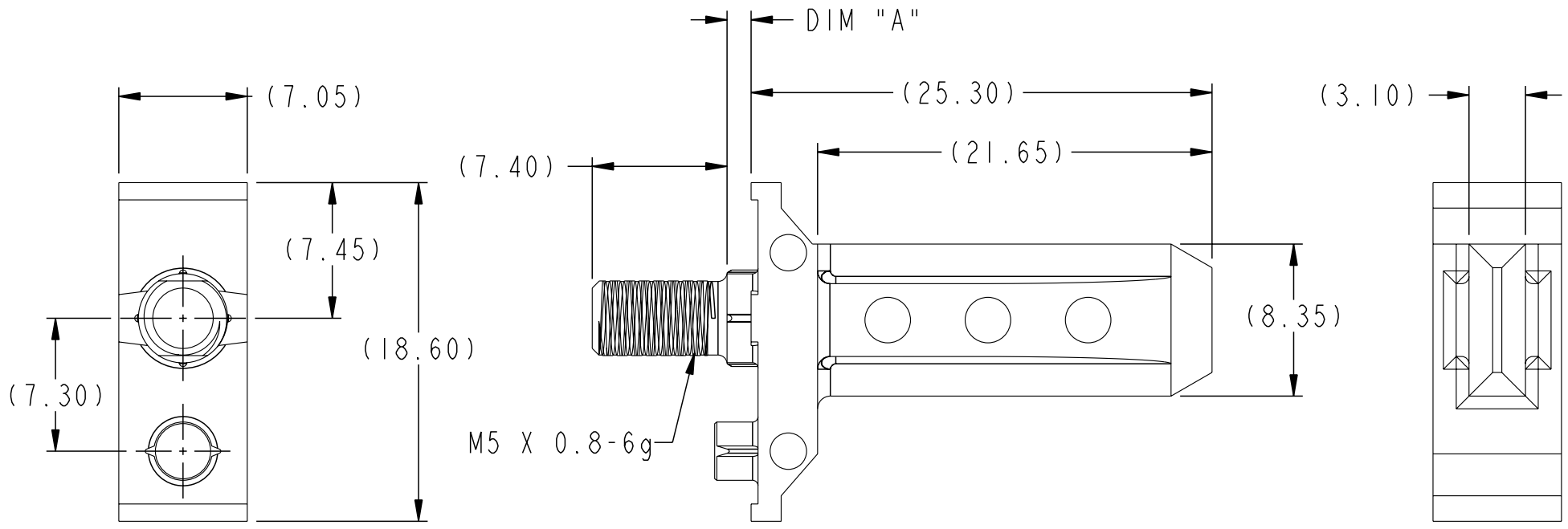
2

3

4

PRODUCT NUMBER
SEE TABLE, SHT 2

Tous droits strictement reserves. Reproduction ou communication a des tiers interdite sous quelque forme que ce soit sans autorisation écrite du propriétaire. Propriete de c FCI. Droits de reproduction FCI.



All rights strictly reserved. Reproduction or issue to third parties in any form whatever is not permitted without written authority from the proprietor. Property of FCI. Copyright FCI.

rev	ecn no	dr	date
A	V05-0103	AR	01/27/05
B	V05-0262	AR	03/29/05
C	S05-0238	MC	08/25/05

TOLERANCES UNLESS OTHERWISE SPECIFIED			
LINEAR	0.X	±.3	-
	0.XX	±.10	-
	0.XXX	±.050	-
ANGULAR	0°	±2°	-

		www.fciconnect.com		surface 3.2 / ASME Y14.5	tolerance ASME Y14.5	projection	MM
Dr	A. RAISTRICK	08/03/04	Product family	AirMax Accessories		size	A4
Eng	B. MARSHALL	08/03/04	Spec ref			Scale	3:1
Chr	CH. TAN	08/25/05	Material	SEE NOTES		ECN	
Appr	JOEY NG	08/25/05					
title				7.2mm GUIDE PIN		dwg no	10037908
				25.3mm LONG		Rev.	C
catalog no				-		CUSTOMER	sheet 1 of 2

A

B

C

D

2

PDM: Rev:C

STATUS:Released

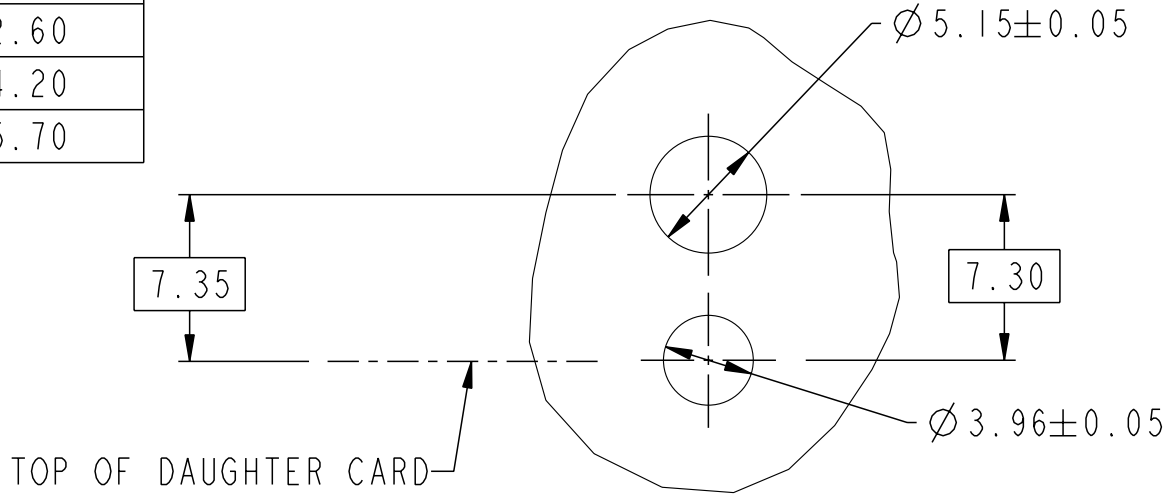
4 Printed: Dec 01, 2010

Tous droits strictement reserves. Reproduction ou communication a des tiers interdite sous quelque forme que ce soit sans autorisation écrite du propriétaire. Propriete de c FCI. Droits de reproduction FCI.

FCI

All rights strictly reserved. Reproduction or issue to third parties in any form whatever is not permitted without written authority from the proprietor. Property of FCI. Copyright FCI.

PART NUMBER	DIM "A"
10037908-101LF	1.32
10037908-102LF	2.60
10037908-103LF	4.20
10037908-104LF	5.70



SEE NOTE 3
SCALE 3:1

1. MATERIAL: ZINC ALLOY.
2. FINISH: ZINC YELLOW CHROMATE.
3. APPLICATION SPECIFICATION: GS-20-045
- ④ REFER TO CUSTOMER DRAWING 10035911 FOR INFORMATION REGARDING PCB LAYOUT OF POWER AND GUIDE MODULES RELATIVE TO SIGNAL MODULES.
5. THIS PRODUCT MEETS EUROPEAN UNION DIRECTIVES AND OTHER COUNTRY REGULATIONS AS DESCRIBED IN GS-22-008
6. PACKAGING MEETS GS-14-920 LEAD FREE LABELING SPECIFICATION.

title	7.2mm GUIDE PIN	dwg no	10037908	Rev.	C
	25.3mm LONG				
catalog no	-	CUSTOMER	sheet 2 of 2		