

| SIGN | DATE | DESCRIPTION | APPROVER |
|------|----------|---|-------------|
| △ | 2/7'06 | Dimension changed | xionghaitao |
| △ | 01/18'07 | Soldering temperature changed from 245° to 250° | Tason |
| △ | 01/18'07 | Part NO is Changed | Tason |
| △ | 11/11'08 | ADD Rib | Seamus |
| △ | 10/07'09 | Dimension is changed from 12.8mm to 12.6mm | Aaron |
| △ | 10/07'09 | Dimension is changed from 11.8mm to 11.6mm | Aaron |
| △ | 10/07'09 | Dimension is changed from 25.3 mm to 25.2 mm | Aaron |

THIS IS CAD DRAWING, DO NOT REVISE MANUALLY!!!

Material:

- Item 1 Terminal housing: Thermoplastic (UL 94V-0)
- Item 2 Clamp: Brass ,Ni plated
- Item 3 Wire guard solder pin: Brass ,Tin plated
- Item 4 Terminal screw: Steel , Zinc plating"- "slot type

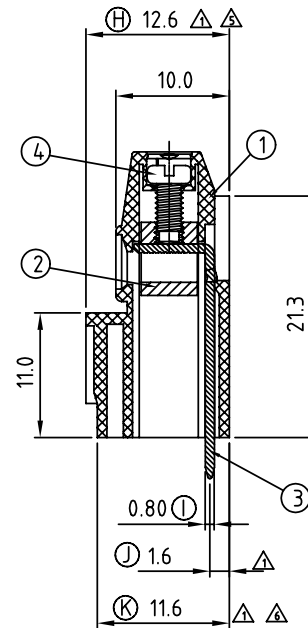
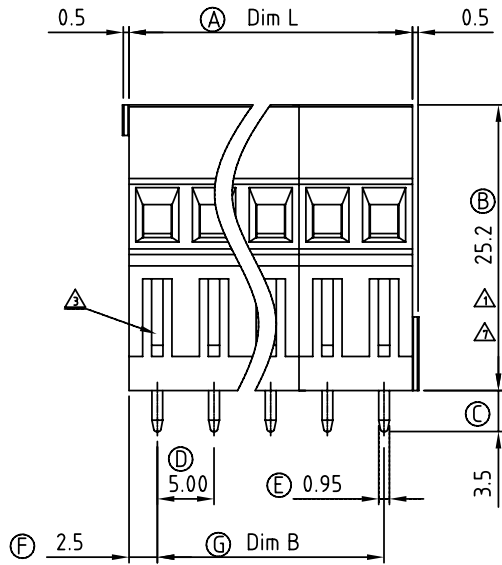
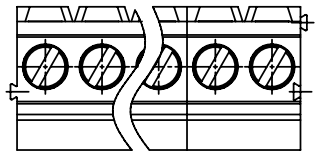
Electrical

- Voltage rating: 300VAC
- Current rating: 10A
- Wire range:
- Solid wire(AWG): 12-24
- Stranded wire(AWG): 12-24
- Torque(Lb-In): 3.5
- Screw: M2.5
- Wire strip length: 6-7mm
- Withstanding Voltage: 1.6KV
- Operating temperature: -40°C to +115°C
- Soldering temperature: 250°C±10°C/5 Sec
- Safety Approval: 

△

△ YE xx 01 x 0 xxxx G

| | | | |
|----------------|---------|-------------------------|----------------|
| 02 2 CONTACTS | 0 Black | 0000:"@"Logo (Standard) | Pb < 40,000ppm |
| 03 3 CONTACTS | 5 Green | 000A:"ANYTEK"Logo | (RoHS) |
| | 6 Blue | Any special item by | |
| 24 24 CONTACTS | 8 Grey | customer request, | |
| | | please contact sales | |
| | | department. | |



DIMENSION

| | |
|-------|-----------|
| Dim L | Nx5.0 |
| Dim B | (N-1)x5.0 |

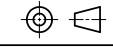
N=Number of contacts

| Poles | B Tolerance | L Tolerance |
|---------------|-------------|-------------|
| 2pole~6pole | ±0.15 | ±0.15 |
| 7pole~12pole | ±0.25 | ±0.25 |
| 13pole~18pole | ±0.35 | ±0.35 |
| 19pole~24pole | ±0.40 | ±0.40 |

ANYTEK

CUSTOMER COPY

ALL RIGHTS RESERVED. REPRODUCTION OR ISSUE TO THIRD PARTIES IN ANY FORM WHATSOEVER IS NOT PERMITTED WITHOUT WRITTEN AUTHORITY FROM THE PROPRIETOR. PROPERTY OF ANYTEK TECHNOLOGY CO., LTD

| | | | | | |
|----------|---------|--------------------------------------|---------------------|---|------------|
| TITLE | | YE-5.0mm Series 2P-24P (Stackable) | | | |
| PART NO. | | YExx01x0xxxxG | | DWG NO. | 8YE0001 |
| APPROVED | CHECKED | DESIGNED | DRAWN | CUST NO. | |
| | | Aaron 2009.10.07 | Aaron 2009.10.07 | | |
| | | | |  | Tolerance |
| | | | | | UNIT: mm |
| | | | | SCALE: NONE | X.X ±0.30 |
| | | | | SHEET: 01/01 | X.XX ±0.10 |
| | | | | REV.: F | X° ±1° |