

SIGN	DATE	DESCRIPTION	APPROVER
△	2/7'06	Dimension changed	xionghaitao
△	01/18'07	Soldering temperature changed from 245° to 250°	Tason
△	01/18'07	Part NO is Changed	Tason
△	11/11'08	ADD Rib	Seamus
△	10/07'09	Dimension is changed from 12.8mm to 12.6mm	Aaron
△	10/07'09	Dimension is changed from 11.8mm to 11.6mm	Aaron
△	10/07'09	Dimension is changed from 25.3 mm to 25.2 mm	Aaron

*THIS IS CAD DRAWING, DO NOT REVISE MANUALLY!!!*

**Material:**

- Item 1 Terminal housing:Thermoplastic (UL 94V-0)
- Item 2 Clamp: Brass ,Ni plated
- Item 3 Wire guard solder pin: Brass ,Tin plated
- Item 4 Terminal screw: Steel , Zinc plating"- "slot type

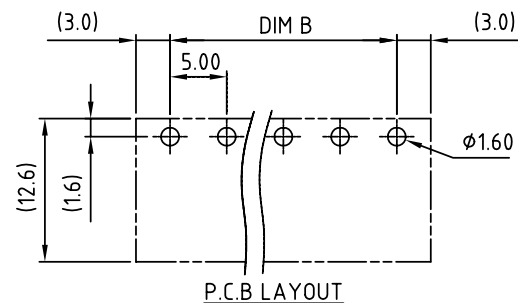
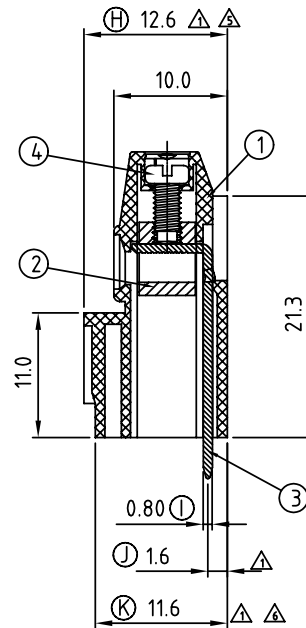
**Electrical**

- Voltage rating: 300VAC
- Current rating: 10A
- Wire range:
- Solid wire(AWG): 12-24
- Stranded wire(AWG): 12-24
- Torque(Lb-In): 3.5
- Screw: M2.5
- Wire strip length: 6-7mm
- Withstanding Voltage: 1.6KV
- Operating temperature: -40°C to +115°C
- Soldering temperature: 250°C±10°C/5 Sec
- Safety Approval: 

△

△ YE xx 01 x 0 xxxx G

02 2 CONTACTS	0 Black	0000:"@"Logo (Standard)	Pb < 40,000ppm
03 3 CONTACTS	5 Green	000A:"ANYTEK"Logo	(RoHS)
... ..	6 Blue	Any special item by	
24 24 CONTACTS	8 Grey	customer request,	
		please contact sales	
		department.	



**DIMENSION**

Dim L	Nx5.0
Dim B	(N-1)x5.0

N=Number of contacts

Poles	B Tolerance	L Tolerance
2pole~6pole	±0.15	±0.15
7pole~12pole	±0.25	±0.25
13pole~18pole	±0.35	±0.35
19pole~24pole	±0.40	±0.40

**ANYTEK**

**CUSTOMER COPY**

ALL RIGHTS RESERVED. REPRODUCTION OR ISSUE TO THIRD PARTIES IN ANY FORM WHATSOEVER IS NOT PERMITTED WITHOUT WRITTEN AUTHORITY FROM THE PROPRIETOR. PROPERTY OF ANYTEK TECHNOLOGY CO., LTD

TITLE		YE-5.0mm Series 2P-24P ( Stackable )				
PART NO.		YExx01x0xxxxG		DWG NO.		8YE0001
APPROVED	CHECKED	DESIGNED	DRAWN	CUST NO.		Tolerance
		Aaron	Aaron			X. ±0.50
		2009.10.07	2009.10.07			X.X ±0.30
				SHEET: 01/01		X.XX ±0.10
				REV.: F		X° ±1°