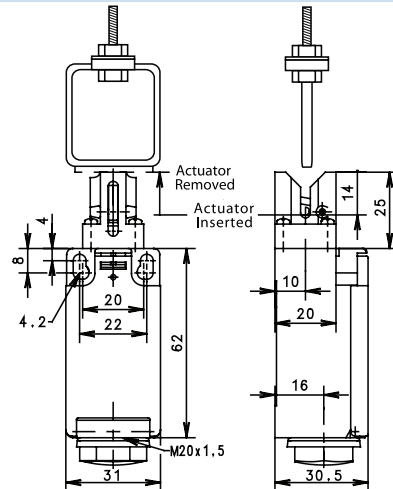


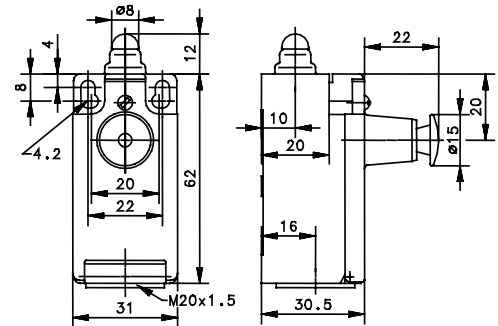
I88 Series



KS



W RAST



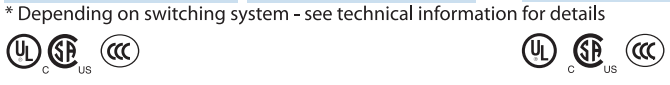
Switching Operation	Slow Action	Snap Action	Slow Action	Snap Action
1 NC / 1 NO Contacts	611.6819.140 I88-U1Z KS 	- -	618.6103.005 I88-U1Z W RAST 	- -
2 NC Contacts	- -	- -	618.6803.155 I88-A2Z W RAST 	- -
2 NO Contacts	- -	- -	- -	- -
1 NC / 1 NO Contacts Overlapping	- -	- -	- -	- -

Replacement actuator:

391.8401.031

Technical Information	Slow Action	Snap Action	Slow Action	Snap Action
Maximum Switching Voltage	240V	240V	240V	240V
Max. Switching Amps (up to)*	10A	10A	10A	10A
B10d (up to)*	20 Million	20 Million	20 Million	20 Million
Mechanical Service Life (up to)*	3 x 10 ⁶	10 x 10 ⁶	10 x 10 ⁶	10 x 10 ⁶
Switching Frequency	≤ 100/min	≤ 100/min	≤ 100/min	≤ 100/min
Operating Temperature	-30 °C to +80 °C	-30 °C to +80 °C	-30 °C to +80 °C	-30 °C to +80 °C
Protection Rating	IP65	IP65	IP65	IP65
Utilization Category (up to)*	AC-15, Ue/Ue 240V 3A	AC-15, Ue/Ue 240V 3A	AC-15, Ue/Ue 240V 3A	AC-15, Ue/Ue 240V 3A
Rate Insulation Voltage	250VAC	250VAC	250VAC	250VAC

Approvals



* Depending on switching system - see technical information for details

Drawing dimensions in mm