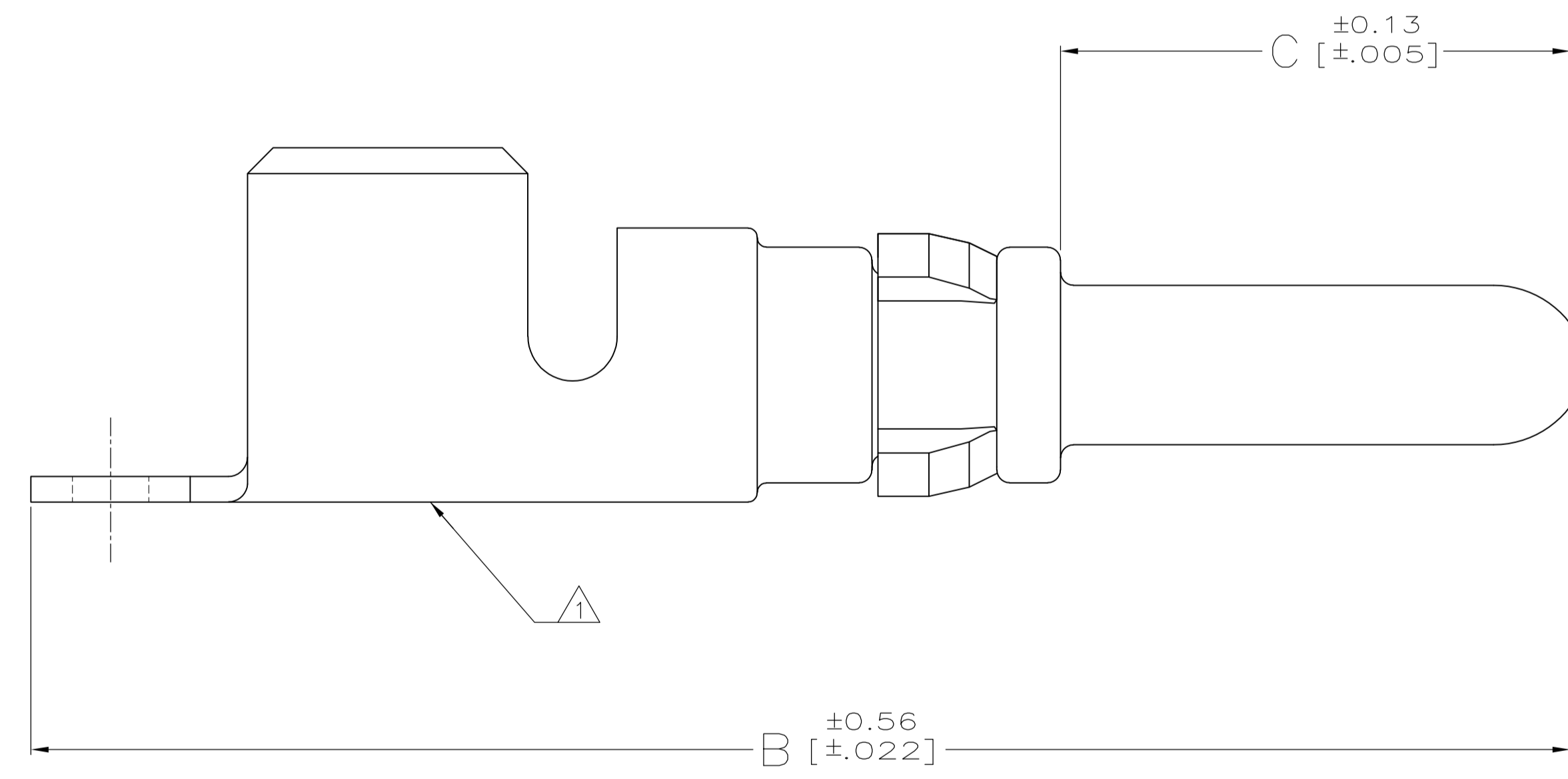
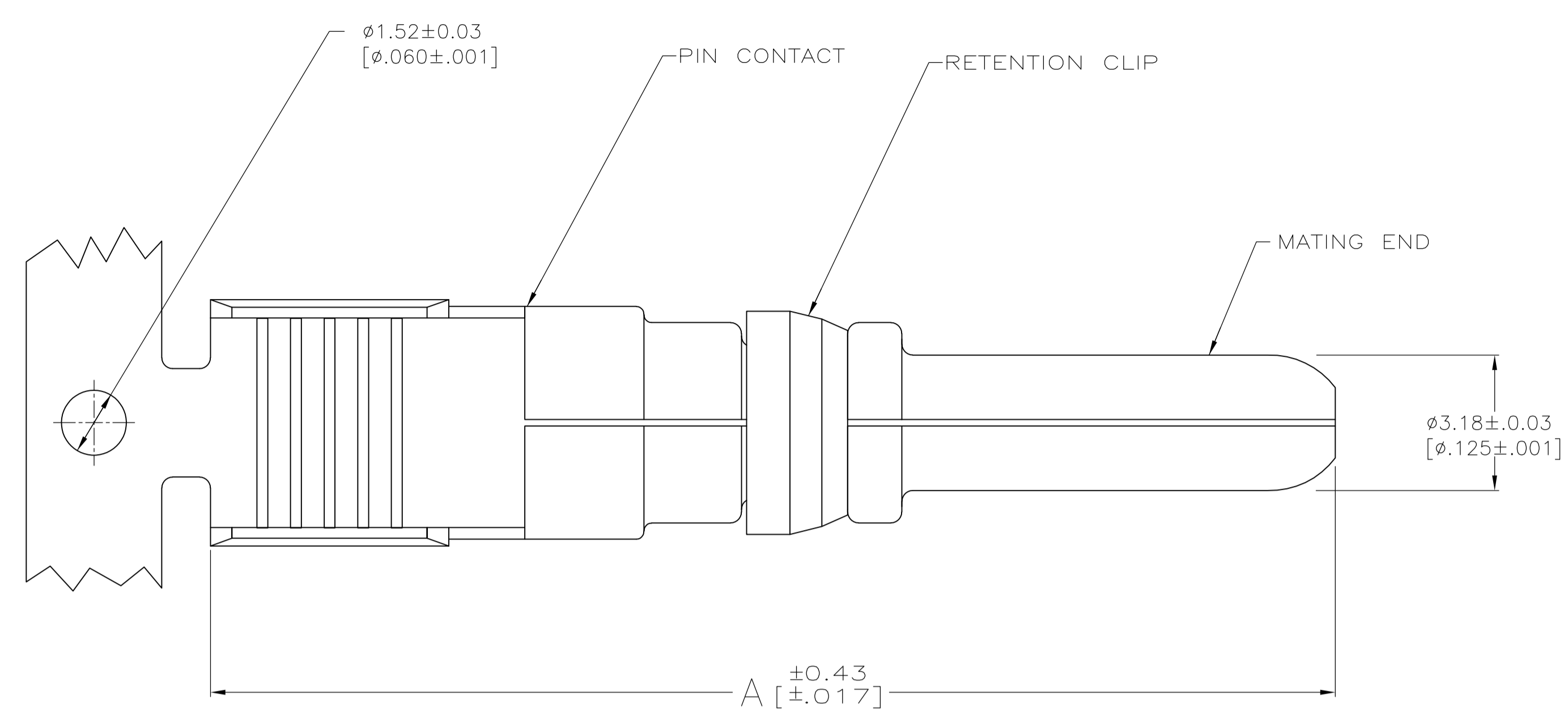
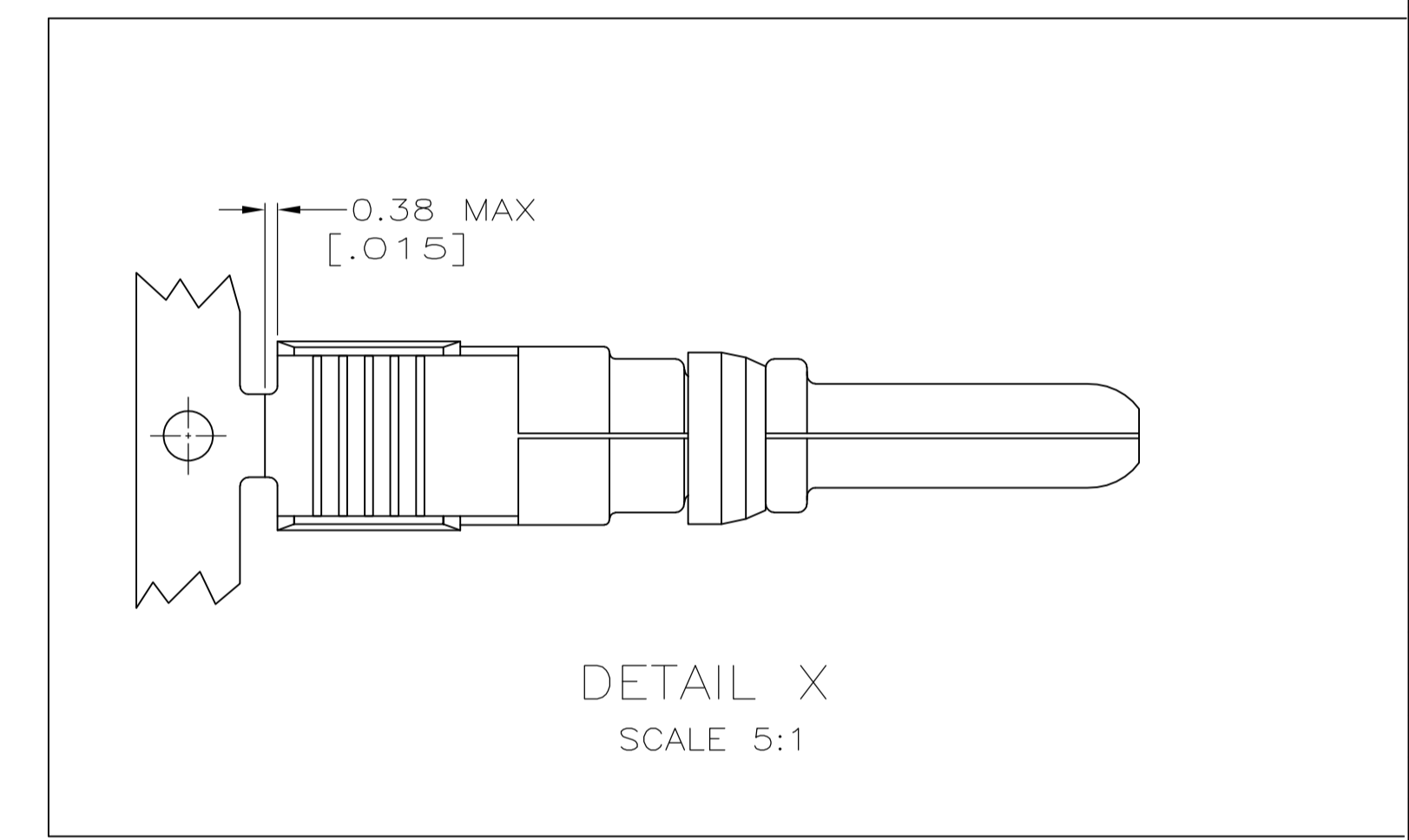


REVISIONS					
P	LTR	DESCRIPTION	DATE	DWN	APVD
B2	REVISED PER	ECO-16-004223	19JUL2016	NK	MZ



- 1 WIRE SIZE AND LOGO APPEAR ON OUTSIDE OF WIRE BARREL.
- 2 RETENTION CLIP: PHOSPHOR BRONZE PER QQ-B-750.
PIN CONTACT: COPPER PER QQ-C-576.
- 3 PIN CONTACT: 0.76µm [.000030] MIN GOLD PER MIL-G-45204 ON CONTACT MATING END, GOLD FLASH ON REMAINDER, ALL OVER 1.27µm [.000050] MIN NICKEL PER QQ-N-390.
RETENTION CLIP: 2.54µm [.000100] MIN NICKEL PER QQ-N-290.
- 4 PIN CONTACT: 5.08µm [.000200] MIN SILVER PER QQ-S-365 ON CONTACT MATING END, 1.27µm [.000050] MIN SILVER ON REMAINDER, ALL OVER 1.27µm [.000050] MIN NICKEL PER QQ-N-290.
RETENTION CLIP: 2.54µm [.000100] MIN NICKEL PER QQ-N-290.



OBSOLETE	3	12.32 [.485]	-	28.52 [1.123]	DETAIL X	213841-8
	4	12.32 [.485]	-	28.52 [1.123]	DETAIL X	213841-7
	3	12.32 [.485]	32.84 [1.293]	28.52 [1.123]	-	213841-6
	4	12.32 [.485]	32.84 [1.293]	28.52 [1.123]	-	213841-5
	3	10.16 [.400]	-	26.37 [1.038]	DETAIL X	213841-4
	4	10.16 [.400]	-	26.37 [1.038]	DETAIL X	213841-3
	3	10.16 [.400]	30.68 [1.208]	26.37 [1.038]	-	213841-2
	4	10.16 [.400]	30.68 [1.208]	26.37 [1.038]	-	213841-1
FINISH		C	B	A	LOOSE PIECE	PART NUMBER

THIS DRAWING IS A CONTROLLED DOCUMENT.

DIMENSIONS: mm [INCHES]	TOLERANCES UNLESS OTHERWISE SPECIFIED:	DIN C. OBERMAN 21 MAR 96	APVD G. STEINHÄUER 26 MAR 96	NAME
0 PLC ± -	1 PLC ± -	2 PLC ± -	3 PLC ± -	4 PLC ± -
ANGLES ± -	SEE TABLE	SIZE	CAGE CODE	DRAWING NO
MATERIAL	1	WEIGHT	A1 00779	213841

STE TE Connectivity

PIN CONTACT ASSEMBLY
8-10 AWG, POWERBAND,
METRIMATE

CUSTOMER DRAWING SCALE 10:1 SHEET 1 OF 1 REV B2