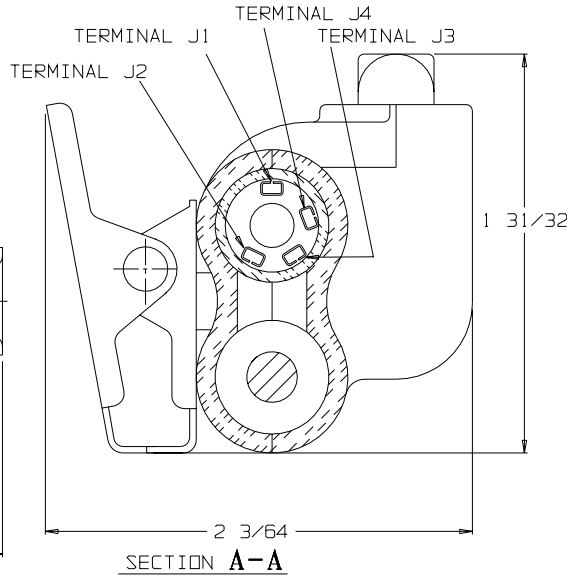
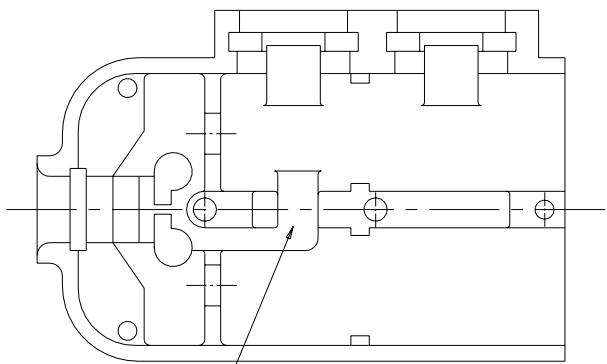
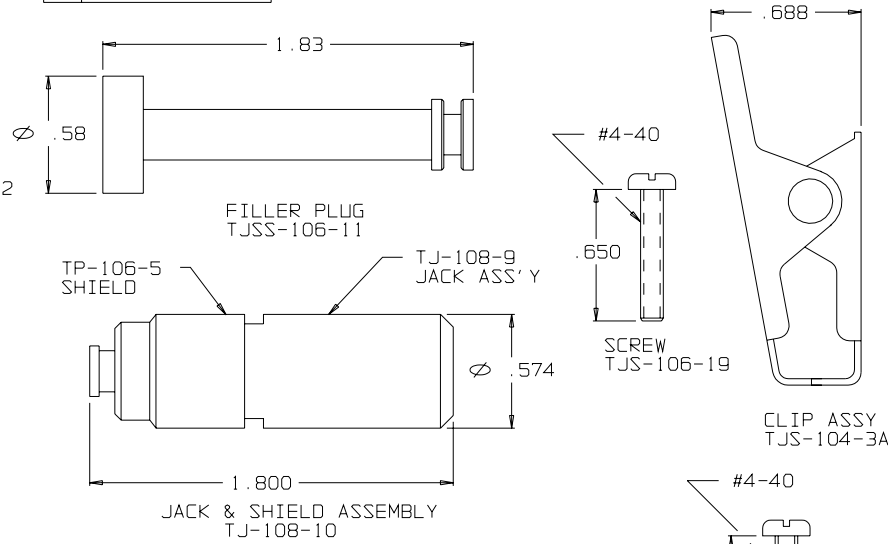


VIEW WITH HALF SHELL REMOVED

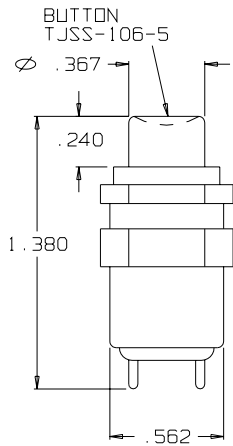
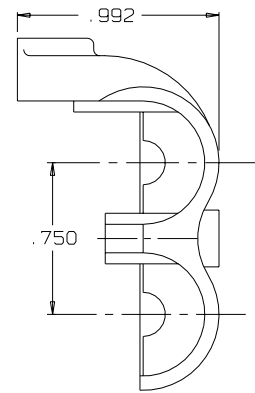


SECTION A-A

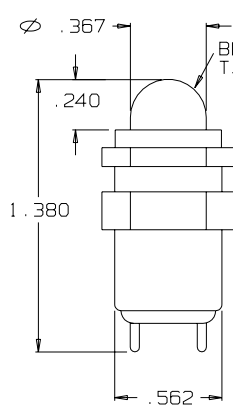
**C TJSS-108-1JR**



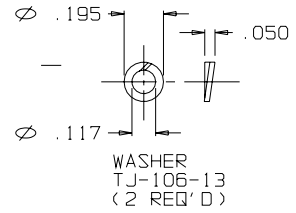
SHELL, HALF TJSS-106-2



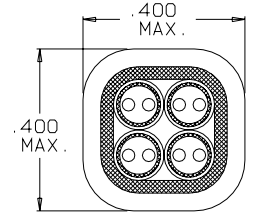
SWITCH SPND



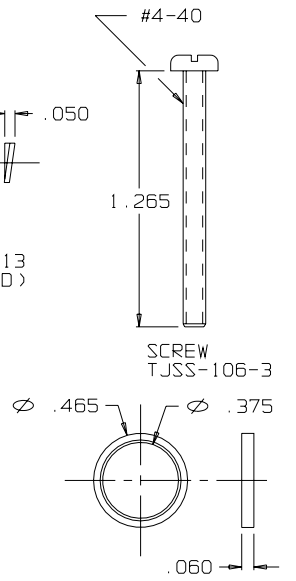
SWITCH SPND



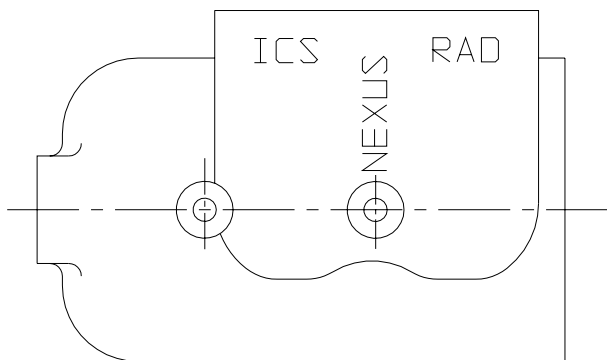
WASHER TJ-106-13 (2 REQ'D)



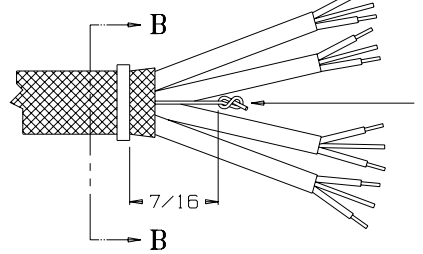
SECTION B-B  
STRAIN RELIEF CLAMP TJSS-106-6 AFTER CRIMPING SCALE 4:1



RING, STRAIN RELIEF TJSS-106-6



SHELL, HALF TJSS-108-1



STAY CORD-VARNISH KNOT

THIS DOCUMENT CONTAINS PROPRIETARY INFORMATION OF NEXUS, INCORPORATED AND SUCH INFORMATION MAY NOT BE DISCLOSED TO OTHERS FOR ANY PURPOSE OR USED FOR ANY PURPOSE WITHOUT THE WRITTEN CONSENT OF NEXUS.

DNW BY <i>EWT</i>	DATE 11/14/07	MATERIAL _____	
CHECKED BY	DATE	FINISH _____	
APPR. BY	DATE	WEIGHT _____	SCALE NONE
UNLESS OTHERWISE SPECIFIED DIMENSIONS ARE IN INCHES TOLERANCES ON FRACTIONS DECIMALS ANGLES		TITLE JACK-TELEPHONE-BIAXIAL SHIELDED (4) CONDUCTOR WITH TWO SWITCHES	
±.1/64 ±.005		DO NOT SCALE DWG. SHEET 1 OF 1	

A	INITIAL RRELEASE		11/14/07	EWT
LET.	REVISION	CN #	DATE	CHK

**NEXUS STAMFORD, CONN**  
DWG. NO. **TJSS-108-1JR**