

THIS DRAWING IS UNPUBLISHED.

RELEASED FOR PUBLICATION

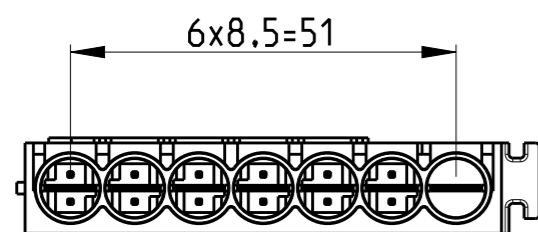
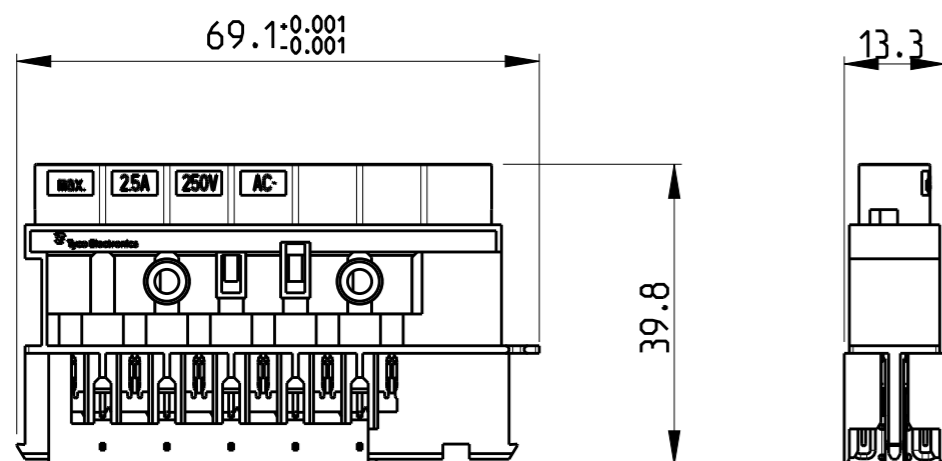
2006

© COPYRIGHT 2006 BY -

ALL RIGHTS RESERVED.

REVISIONS

P	LTR	DESCRIPTION	DATE	DWN	APVD
C3		ECR-15-001522	05FEB2015	RS	JL
C4		ECR-16-002347	23FEB2016	RS	JL
C5		ECR-16-004670	04APR2016	RS	JL
D		ECR-17-003481	10MAY2017	SK	PO

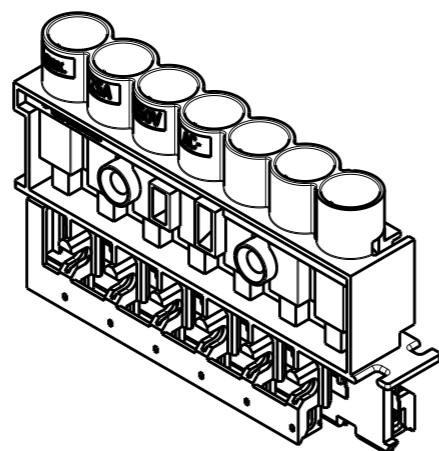
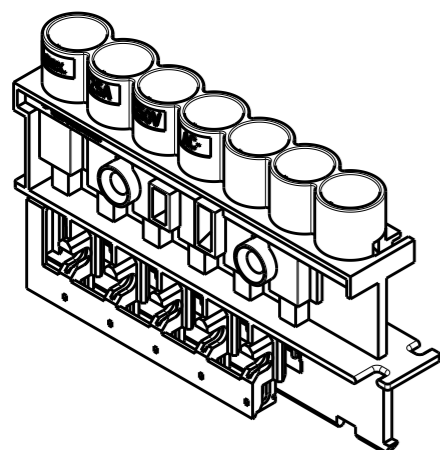


NOTES:

- PARTS PRELOADED WITH CONTACTS
 - MATERIAL HOUSING: PA6/WEIGHT ~11 g
MATERIAL CONTACTS: CuNiSi/WEIGHT ~2.8 g
 - FOR 7 POS. VERSION ADD CODING RING PN 1740316-1
- 4** OBSOLETE.

6 POS VERSION AS SHOWN

7-POS VERSION FOR SWITCH APPLICATION AS SHOWN ABOVE



1:1

4	HV-2 (1X)	LV-2 (6x)	1-1740317-1	B	YELLOW	DISTRIBUTOR 7 POS. 7A/125V DC
		LV-2 (6x)	0-1740317-9	B	YELLOW	DISTRIBUTOR 6 POS. 7A/125V DC
4	HV-2 (1X)	LV-1 (6x)	0-1740317-8	B	LIGHT GREY	DISTRIBUTOR 7 POS. 7A/125V AC
4		LV-1 (6x)	0-1740317-7	B	LIGHT GREY	DISTRIBUTOR 6 POS. 7A/125V AC
4	HV-2 (1X)	HV-3 (6x)	0-1740317-6	B	BLUE	DISTRIBUTOR 7 POS. 6A/125V AC
4		HV-3 (6x)	0-1740317-5	B	BLUE	DISTRIBUTOR 6 POS. 6A/125V AC
4	HV-2 (1X)	HV-1 (6x)	0-1740317-4	C	BLACK (ANTHRACITE)	DISTRIBUTOR 7 POS. 2.5A/250V AC
		HV-1 (6x)	0-1740317-3	C	BLACK (ANTHRACITE)	DISTRIBUTOR 6 POS. 2.5A/250V AC
	HV-2 (1X)	HV-1 (6x)	0-1740317-2	C	WHITE	DISTRIBUTOR 7 POS. 2.5A/250V AC
		HV-1 (6x)	0-1740317-1	C	WHITE	DISTRIBUTOR 6 POS. 2.5A/250V AC
	SWITCH	WAY	ASS'Y PN	Rev.	COLOR	REMARKS
	CODING					

THIS DRAWING IS A CONTROLLED DOCUMENT.

DWN	SKA	13APR2006
CHK	WH	13APR2006
APVD	TG	13APR2006



DIMENSIONS:	TOLERANCES UNLESS OTHERWISE SPECIFIED:
mm	
	0 PLC ±0.2
	1 PLC ±0.2
	2 PLC ±0.2
	3 PLC ±
	4 PLC ±
	ANGLES ±1°

PRODUCT SPEC	108-94019
APPLICATION SPEC	114-20139
WEIGHT	~13.8 g

NAME			
7.5mm MiniHVL CONNECTOR SYSTEM CONTACT AND HOUSING ASSEMBLY 6 AND 7 POSITION			
SIZE	CAGE CODE	DRAWING NO	RESTRICTED TO
A3	00779	C-1740317	-

MATERIAL	FINISH
-	-
-	-

CUSTOMER DRAWING	SCALE 1:1	SHEET 1 OF 1	REV D
------------------	-----------	--------------	-------