

THIS DRAWING IS UNPUBLISHED.

RELEASED FOR PUBLICATION

2008

© COPYRIGHT 2008 BY -

ALL RIGHTS RESERVED.

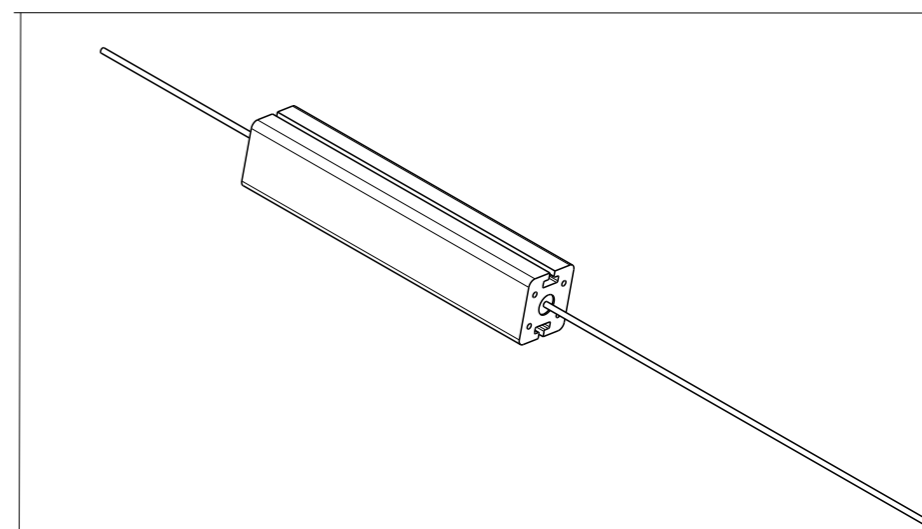
REVISIONS

P	LTR	DESCRIPTION	DATE	DWN	APVD
	BA1	ECR-17-011125	01AUG2017	RK	TN

FOR FURTHER INFORMATION SEE DATA SHEET FOR SERIES TYPE SBC(SQUARE CERAMIC), HIGH POWER RESISTORS

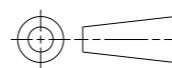


RoHS Compliant



THIS DRAWING IS A CONTROLLED DOCUMENT.

DIMENSIONS:
mm



TOLERANCES UNLESS OTHERWISE SPECIFIED:

0 PLC	±0.2
1 PLC	±0.1
2 PLC	±
3 PLC	±
4 PLC	±
ANGLES	±5°

MATERIAL
-

FINISH
-

DWN 28 JULY 2010
PARUSURAM.I

CHK 28 JULY 2010
STEPHEN.P

APVD 28 JULY 2010
STEPHEN.P

PRODUCT SPEC
-

APPLICATION SPEC
-

WEIGHT 10g

CUSTOMER DRAWING

STE TE Connectivity

NAME
HIGH POWER RESISTOR TYPE
SBC (SQUARE CERAMIC) SERIES SBCHE11

SIZE	CAGE CODE	DRAWING NO	RESTRICTED TO
A3	00779	C-1623728	-

SCALE	SHEET	OF	REV
4:1	1	1	BA1