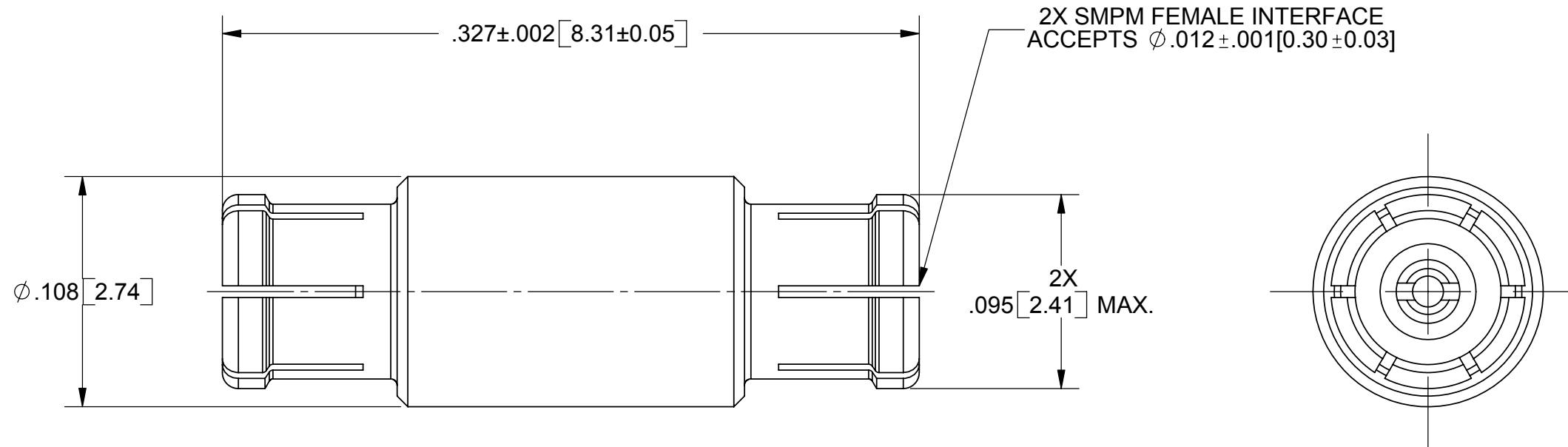


# PRODUCT DATA DRAWING

| REVISION HISTORY |                |          |          |
|------------------|----------------|----------|----------|
| REV              | DESCRIPTION    | DATE     | APPROVED |
| -                | REL. DCN 34166 | 04/27/06 | STW      |
|                  |                |          |          |



**MATERIAL:**

**BODY & CONTACT:** BERYLLIUM COPPER PER ASTM B196, ALLOY No. UNS C17300, TD04

**INSULATOR:** PTFE PER ASTM D1710, TYPE I, GRADE 1, CLASS B

**FINISH:**

**BODY & CONTACT:** GOLD PER ASTM B 488, TYPE I, CODE C, CLASS 1.27; OVER NICKEL PER AMS-QQ-N-290, CLASS 1, .00005" MIN.

**PERFORMANCE:**

**IMPEDANCE:** 50 OHMS  
**FREQ. RANGE:** DC TO 65.0 GHz  
**VSWR:** 1.30:1 DC TO 50.0 GHz  
**OPERATING TEMP.:** -55 °C TO +125 °C

|                     |  |  |   |
|---------------------|--|--|---|
| MATERIAL: SEE NOTES | DIMENSIONS ARE IN INCHES TOLERANCES:<br>FRACTIONAL: ±1/64 ANGULAR: X° ±1°0'<br>X'X' ±15'   | UNLESS OTHERWISE SPECIFIED<br>1) ALL DIMENSIONS ARE IN INCHES (MILLIMETERS)<br>2) ALL DIMENSIONS ARE AFTER PLATING.<br>3) BREAK CORNERS & EDGES .005 R. MAX.<br>4) CHAM. 1ST & LAST THREADS.<br>5) SURFACE ROUGHNESS 63-MIL-STD-10.<br>6) DIA.'S ON COMMON CENTERS TO BE CONCENTRIC WITHIN T.I.R.<br>7) REMOVE ALL BURRS | <b>SV Microwave, Inc.</b><br>2400 Centrepark West Drive, Suite 100<br>West Palm Beach, FL 33409 |
| FINISH: SEE NOTES   | DECIMAL: X ±.030<br>.XX ±.010<br>.XXX ±.005  | INTERPRET DIMENSIONS AND TOLERANCES PER ASME Y14.5M - 1994   | TITLE: <b>ADAPTOR SMPM FEMALE TO FEMALE</b>   |
| SURFACE AREA: N/A   | <b>PROPRIETARY</b><br>THE INFORMATION CONTAINED IN THIS DRAWING IS THE SOLE PROPERTY OF SV MICROWAVE, INC. ANY REPRODUCTION IN PART OR AS A WHOLE WITHOUT THE WRITTEN PERMISSION OF SV MICROWAVE, INC IS PROHIBITED. | THIRD ANGLE PROJECTION<br>   | SIZE: <b>B</b> CAGE CODE: <b>95077</b> DWG. NO. <b>3290-4003</b>                                |
|                     |  | DRAWN: JMC 04/26/06<br>CHECKED: STW 04/26/06<br>APPROVED: STW 04/26/06   | SCALE: 15:1 SHEET 1 OF 1  |