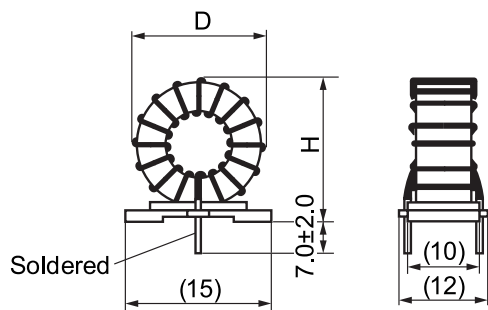


KEMET Part Number: SN8S-300JA
(UALSN8S300JA00)

KEMET, SN-JA, AC Line Filters, Normal Mode, 26 uH



Dimensions	
D	18mm MAX
L	15mm NOM
T	12mm MAX
H	18mm MAX
LL	7mm +/-2mm
S	10mm NOM

Packaging Specifications	
Packaging:	Tray
Packaging Quantity:	600
Weight:	4.4 g

General Information	
Series:	SN-JA
Style:	Through-Hole
RoHS:	Yes
Miscellaneous:	19 (K) Temperature Rise Max.

Specifications	
Inductance:	26 uH (0.1 MHz)
Current:	2 A
Temperature Range:	-25/+105°C
DC Resistance:	42 mOhms