

Shock-safe Fuseholder, Solder Terminals, 5x20 mm



250 VAC · 2.5W/6.3A



Description

- Fuseholder is designed and manufactured by Schurter Electronics Pvt. Ltd. in India
- Black and red caps available

Applications

- Low cost consumer electronics

References

We recommend for new applications the type [FPG1](#)
Last order date: 31.12.2015

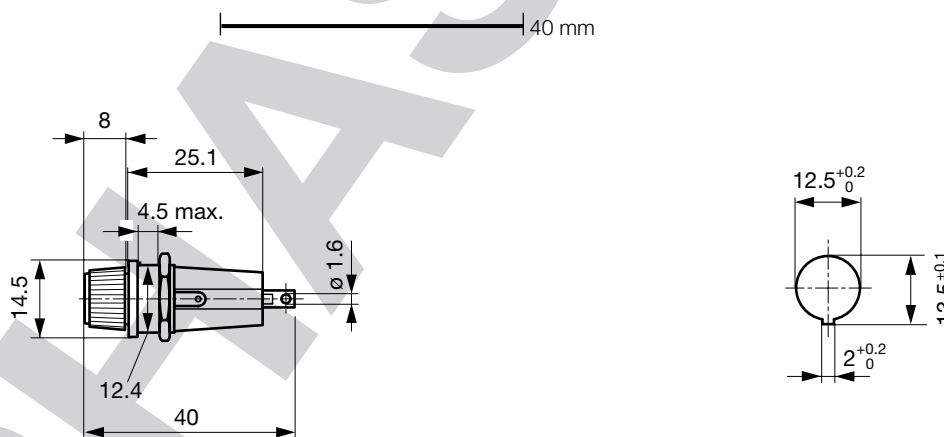
Weblinks

[pdf-datasheet](#), [html-datasheet](#), [General Product Information](#), [Approvals](#), [CE declaration of conformity](#), [RoHS](#), [CHINA-RoHS](#), [REACH](#), [e-Shop](#), [SCHURTER-Stock-Check](#), [Distributor-Stock-Check](#), [Detailed request for product](#)

Technical Data

Shock-Safe Category	PC2	Soldering Methods	Iron
Fuse-Link	5 x 20 mm	Solderability	350 °C / 2 sec
Mounting	Panel Mount	Resistance to Soldering Heat	350 °C / 2 sec
Mounting	Fixing Nut	Contact Resistance	< mΩ at 20 mV
Terminal	Solder		
Rated Voltage	250 VAC		
Rated current	6.3A		
Rated Power Acceptance IEC	2.5 W / 6.3A @ Ta 23 °C		
Admissible Ambient Air Temp.	-40 °C to 85 °C		
Material: Socket	Thermoplastic, UL 94V-2		
Storage Conditions	0 °C to 60 °C, max. 70% r.h.		

Dimension



All Variants

Holder	Colour Cap	Order Number
●	black	8601.2010
●	red	8601.2020

Availability for all products can be searched real-time: <http://www.schurter.com/en/Stock-Check/Stock-Check-SCHURTER>

Packaging Unit

Bulk (100 pcs.)

PHASE-OUT