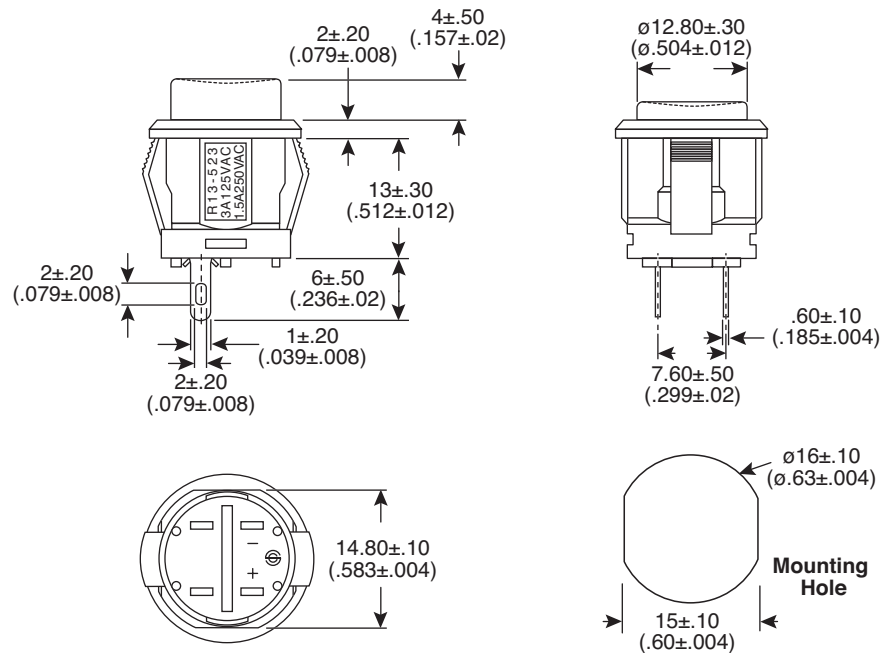
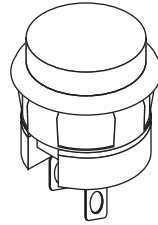


Dimensions: mm (In.)



**Electrical Specifications:**

- Rating: 3A/125VAC, 1.5A/250VAC
- Contact Resistance: 50mΩ max.
- Insulation Resistance: 500VDC @100MΩ min.
- Dielectric Strength: 1500VAC for 1 minute

**Mechanical Specifications:**

- Operating Temperature: -20°C ~ 85°C
- Circuit: 2P SPST (ON)-OFF

**Note:**

- RoHS Compliant

Mouser Stock No.	Button Color
107-3044-EV	Red
107-3046-EV	Black

**Pushbutton Switches**  
107-3044-EV, 107-3046-EV

