

REVISIONS

P	LTR	DESCRIPTION	DATE	DWN	APVD
	DI	REVISED	26FEB2014	BC	RP

1. SEE RESTRICTED CUSTOMER DRAWING 2065917-R.

20


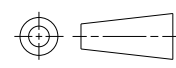
RELEASED FOR PUBLICATION

ALL RIGHTS RESERVED.

THIS DRAWING IS UNPUBLISHED.

BY -

© COPYRIGHT 20

DIMENSIONS: mm		DWN W SOURBEER 22FEB2010	MATERIAL -	FINISH SEE TABLE	
TOLERANCES UNLESS OTHERWISE SPECIFIED:		CHK R PATTERSON 22FEB2010	 TE Connectivity		
0 PLC ±-		APVD R PATTERSON 22FEB2010			
1 PLC ±-		PRODUCT SPEC -	NAME HEADER ASSEMBLY, OPEN ENDED, 4 PAIR 10 COLUMN		
2 PLC ±-		APPLICATION SPEC -	SIZE A4	CAGE CODE 00779	DRAWING NO C-2065917
3 PLC ±-		WEIGHT -	RESTRICTED TO -		
4 PLC ±-		Customer Drawing			
ANGLES ±-		SCALE 10:1		SHEET 1 OF 1	
		REV DI			