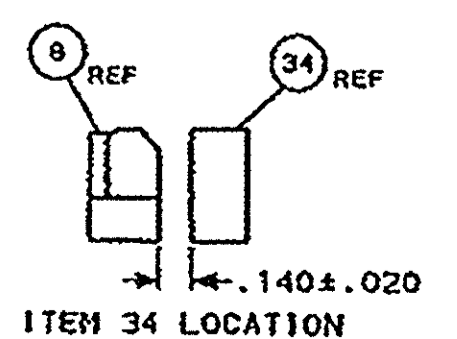
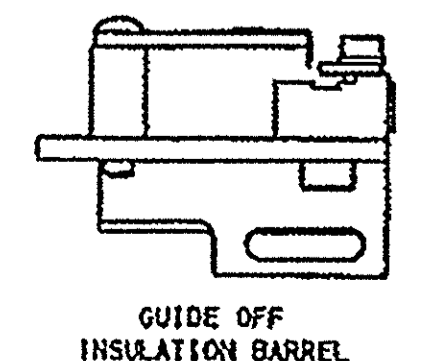
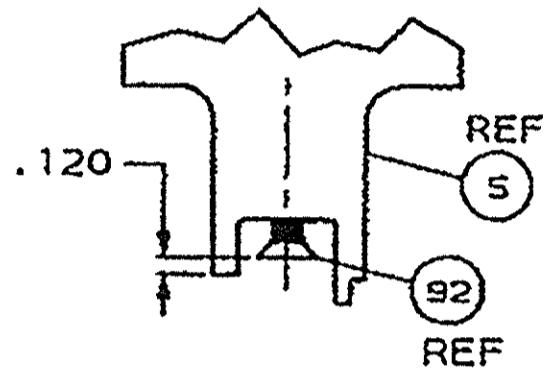
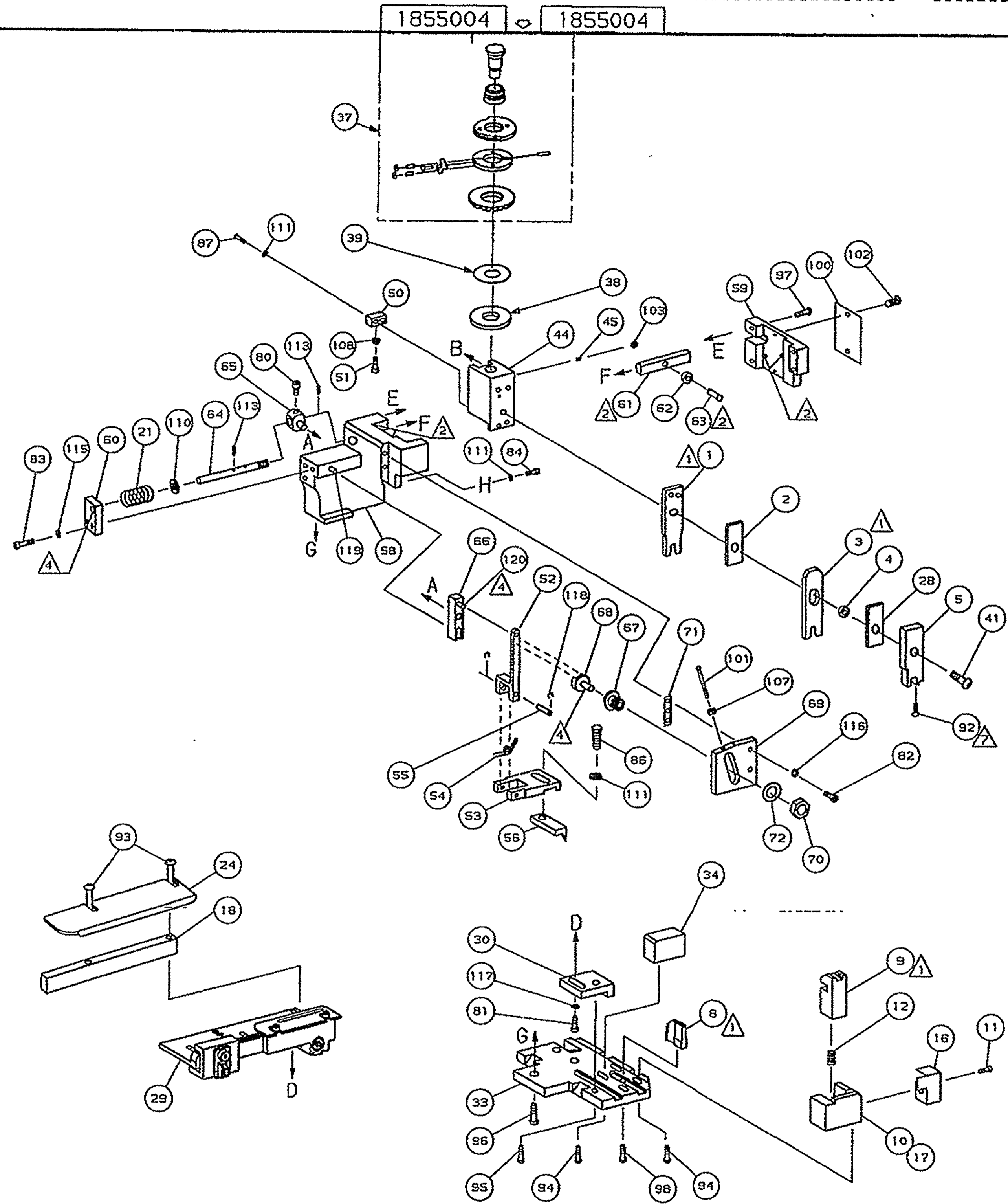


THIS DRAWING IS A CONTROLLED DOCUMENT.

THIS DRAWING IS UNCLASSIFIED
DATE 05/13/2013 BY 60322 UCBAW/SJS/STP/STP



<p>POST FEED 1/8 STROKE</p> <p>44 (REF) 47 91</p> <p>ROTATED 180°</p>	<p>PRE FEED 1/8 STROKE</p> <p>44 (REF) 48 91</p> <p>ROTATED 180°</p>	<p>PRE FEED 5/8 STROKE</p> <p>44 (REF) 49 91</p> <p>ROTATED 180°</p>
---	--	--

<p>22</p> <p>LEADMAKER</p>	<p>20</p> <p>BENCH MACHINE</p>
----------------------------	--------------------------------

21-KVR-05 13/05/48 us018246 7

REV	DATE	BY	APP	DATE

DWG SIZE	PART NO	DESCRIPTION	ITEM NO
QTY REQD PER ASSY			
PARTS LIST			
MATL	HT TR	FIN	
OR B. HIGHAN	ISFEBOS/APP	ISFEBOS	
CHK	REL	T. ELGIN	
NAME SIDE FEED HDM APPLICATOR			MACHINE REF
SCALE	DWG NO	1855004	SHEET 2 of 2
			REV A
CUSTOMER AND ASSEMBLY DRAWING			