

**3.3V, 4-Bit, 2-Port Nanoswitchw/Individual Enables**

**Features**

- Near zero propagation delay
- 5 Ohm switches connect inputs to outputs
- Fast Switching Speed - 4ns max.
- Ultra Low Quiescent Power (0.1µA Typical)
  - Ideally suited for notebook applications
- Packages available:
  - 14-pin, SOIC (W)
  - 14-pin, TSSOP (L)
  - 14-pin, TQFN (ZDB)
  - 16-pin, QSOP (Q)

**Description**

Diodes' PI3B series of logic circuits are produced using the Company's advanced sub micron CMOS technology, achieving industry leading speed grades.

The PI3B3125 and PI3B3126 are 3.3 Volt, 4-bit bus switches designed with four individual 5 Ohm bus switches with fast individual enables in an industry standard 74XX125/126 pinout. When enabled via the associated Bus Enable ( $\overline{BE}$ ) pin, the "A" pin is directly connected to the "B" pin for that particular gate. The bus switch introduces no additional propagation delay or additional ground bounce noise.

The PI3B3125 device has active LOW enables, and the PI3B3126 has active HIGH enables.

**PI3B3125 Logic Block Diagram**



**PI3B3126 Logic Block Diagram**



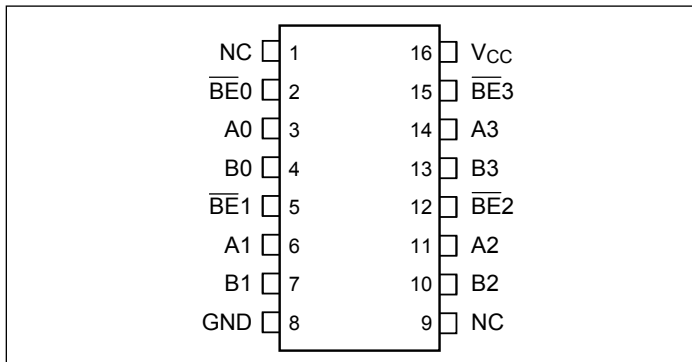
**PI3B3125**  
**14-Pin Product Configuration (SOIC, TSSOP)**



**PI3B3126**  
**14-Pin Product Configuration (SOIC, TSSOP)**



**PI3B3125**  
**16-Pin Product Configuration (QSOP)**



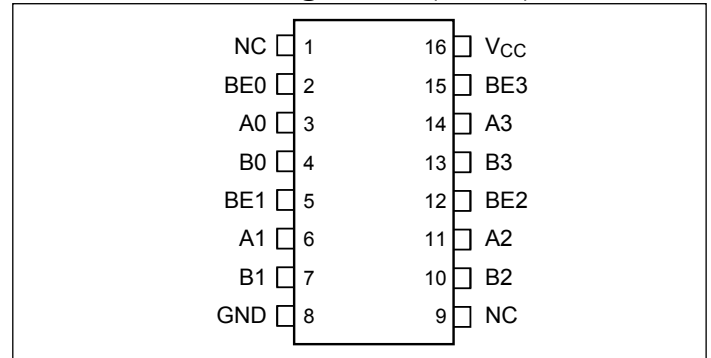
**PI3B3126**  
**14-Pin Product Configuration (TQFN)**



**Pin Description**

Pin Name	Description
$\overline{\text{BE}}_n$	Switch Enable (PI3B3125)
$\text{BE}_n$	Switch Enable (PI3B3126)
A3-A0	Bus A
B3-B0	Bus B
$V_{CC}$	Power
GND	Ground

**PI3B3126**  
**16-Pin Product Configuration (QSOP)**



**Truth Table**<sup>(1)</sup>

PI3B3125	PI3B3126	$\overline{\text{BE}}_n$	$\text{BE}_n$	$A_n$	$B_n$	$V_{CC}$	Function
		X <sup>(2)</sup>	X	Hi-Z	Hi-Z	GND	Disconnect
		H	L	Hi-Z	Hi-Z	$V_{CC}$	Disconnect
		L	H	$B_n$	$A_n$	$V_{CC}$	Connect

**Notes:**

- H = High Voltage Level, L = Low Voltage Level  
Hi-Z = High Impedance, X = Don't Care
- A pull-up resistor should be provided for power-up protection.

## Maximum Ratings

(Above which the useful life may be impaired. For user guidelines, not tested.)

Storage Temperature .....	-65°C to +150°C
Ambient Temperature with Power Applied .....	-40°C to +85°C
Supply Voltage to Ground Potential.....	-0.5V to +4.6V
DC Input Voltage .....	-0.5V to +4.6V
DC Output Current.....	120mA
Power Dissipation.....	0.5W

**Note:**

Stresses greater than those listed under MAXIMUM RATINGS may cause permanent damage to the device. This is a stress rating only and functional operation of the device at these or any other conditions above those indicated in the operational sections of this specification is not implied. Exposure to absolute maximum rating conditions for extended periods may affect reliability.

## DC Electrical Characteristics

(Over the Operating Range,  $T_A = -40^\circ\text{C}$  to  $+85^\circ\text{C}$ ,  $V_{CC} = 3.3\text{V} \pm 10\%$ )

Parameter	Description	Test Conditions <sup>(1)</sup>	Min.	Typ. <sup>(2)</sup>	Max.	Units
$V_{IH}$	Input HIGH Voltage	Guaranteed Logic HIGH Level	2.0			V
$V_{IL}$	Input LOW Voltage	Guaranteed Logic LOW Level	-0.5		0.8	V
$I_{IH}$	Input HIGH Current	$V_{CC} = \text{Max.}, V_{IN} = V_{CC}$			$\pm 1$	MA
$I_{IL}$	Input LOW Current	$V_{CC} = \text{Max.}, V_{IN} = \text{GND}$			$\pm 1$	MA
$I_{OFF}$	Off Current	$V_{CC} = 0, V_{OUT} = 3$ to $3.6\text{V}$			10	MA
$V_{IK}$	Clamp Diode Voltage	$V_{CC} = \text{Min.}, I_{IN} = -18\text{mA}$			-1.2	V
$R_{ON}$	Switch On Resistance <sup>(3)</sup>	$V_{CC} = \text{Min.}, V_{IN} = 0.0\text{V}, I_{ON} = 48\text{mA}$ or $60\text{mA}$		5	8	$\Omega$
		$V_{CC} = \text{Min.}, V_{IN} = 2.4\text{V}, I_{ON} = 15\text{mA}$		10	17	

**Notes:**

- For Max. or Min. conditions, use appropriate value specified under Electrical Characteristics for the applicable device type.
- Typical values are at  $V_{CC} = 3.3\text{V}$ ,  $T_A = 25^\circ\text{C}$  ambient and maximum loading.
- Measured by the voltage drop between A and B pin at indicated current through the switch. ON resistance is determined by the lower of the voltages on the two (A, B) pins.

## Capacitance

( $T_A = 25^\circ\text{C}$ ,  $f = 1\text{ MHz}$ )

Parameter <sup>(1)</sup>	Description	Test Conditions	Min.	Typ.	Max.	Units
$C_{IN}$	Input Capacitance	$V_{IN} = 0\text{V}$		3.5		pF
$C_{OFF}$	A/B Capacitance, Switch Off	$V_{IN} = 0\text{V}$		8		pF

**Note:**

- This parameter is determined by device characterization but is not production tested.

## Power Supply Characteristics

Parameter	Description	Test Conditions <sup>(1)</sup>		Min.	Typ. <sup>(2)</sup>	Max.	Units
$I_{CC}$	Quiescent Power Supply Current	$V_{CC} = \text{Max.}$	$V_{IN} = \text{GND}$ or $V_{CC}$		0.1	3	$\mu\text{A}$
$\Delta I_{CC}$	Supply Current per Input HIGH	$V_{CC} = \text{Max.}$	$V_{IN} = 3.0\text{V}^{(3)}$			750	$\mu\text{A}$

**Notes:**

- For Max. or Min. conditions, use appropriate value specified under Electrical Characteristics for the applicable device.
- Typical values are at  $V_{CC} = 3.3\text{V}$ ,  $+25^\circ\text{C}$  ambient.
- Per driven input (control inputs only); A and B pins do not contribute to  $I_{CC}$ .

### PI3B3125 Switching Characteristics over Operating Range

Parameter	Description	Conditions <sup>(1)</sup>	PI3B3125		Units
			Com.		
			Min.	Max.	
t <sub>PLH</sub> t <sub>PHL</sub>	Propagation Delay <sup>(2,3)</sup> Ax to Bx, Bx to Ax	C <sub>L</sub> = 50pF R <sub>L</sub> = 500Ω		0.25	ns
t <sub>PZH</sub> t <sub>PZL</sub>	Bus Enable Time	C <sub>L</sub> = 50pF R <sub>L</sub> = 500Ω	1.0	3.0	ns
t <sub>PHZ</sub> t <sub>PLZ</sub>	Bus Disable Time	R <sub>L</sub> = 500Ω	1.0	4.0	ns

### PI3B3126 Switching Characteristics over Operating Range

Parameter	Description	Conditions <sup>(1)</sup>	PI3B3126		Units
			Com.		
			Min.	Max.	
t <sub>PLH</sub> t <sub>PHL</sub>	Propagation Delay <sup>(2,3)</sup> Ax to Bx, Bx to Ax	C <sub>L</sub> = 50pF R <sub>L</sub> = 500Ω		0.25	ns
t <sub>PZH</sub> t <sub>PZL</sub>	Bus Enable Time	C <sub>L</sub> = 50pF R <sub>L</sub> = 500Ω	1.0	2.5	ns
t <sub>PHZ</sub> t <sub>PLZ</sub>	Bus Disable Time	R <sub>L</sub> = 500Ω	1.0	4.0	ns

**Notes:**

1. See test circuit and waveforms.
2. This parameter is guaranteed but not tested on Propagation Delays.
3. The bus switch contributes no propagational delay other than the RC delay of the ON resistance of the switch and the load capacitance. The time constant for the switch alone is of the order of 0.25ns for 50pF load. Since this time constant is much smaller than the rise/fall times of typical driving signals, it adds very little propagational delay to the system. Propagational delay of the bus switch when used in a system is determined by the driving circuit on the driving side of the switch and its interaction with the load on the driven side.

## Applications Information

### Logic Inputs

The logic control inputs can be driven up to +3.6V regardless of the supply voltage. For example, given a + 3.3V supply, IN may be driven low to 0V and high to 3.6V. Driving IN Rail-to-Rail® minimizes power consumption.

### Power-Supply Sequencing and Hot-Plug Information

Proper power-supply sequencing is recommended for all CMOS devices. Always apply V<sub>CC</sub> and GND before applying signals to in-put/output or control pins.

*Rail-to-Rail is a registered trademark of Nippon Motorola, Ltd.*

**PI3B3125/PI3B3126**

**PI3B3125 Part Marking**

L Package

PI3B  
3125LE  
● YYWWXX

YY: Year  
WW: Workweek  
1st X: Assembly Site Code  
2nd X: Fab Site Code

Q Package

PI3B  
3125QE  
● YYWWGG

YY: Year  
WW: Workweek  
1st G: Assembly Site Code  
2nd G: Wafer Fab Site Code

W Package

PI3B  
 3125WE  
○ YYWWXX

YY: Year  
WW: Workweek  
1st X: Assembly Site Code  
2nd X: Wafer Fab Site Code

**PI3B3126 Part Marking**

L Package

PI3B  
3126LE  
○ YYWXX

1st Y: Die Rev  
2nd Y: Year  
W: Workweek  
1st X: Assembly Code  
2nd X: Fab Code

Q Package

PI3B  
3126QE  
○ YWXX

Y: Year  
W: Workweek  
1st X: Assembly Site Code  
2nd X: Fab Site Code

W Package

PI3B  
 3126WE  
○ YYWWXX

YY: Year  
WW: Workweek  
1st X: Assembly Site Code  
2nd X: Wafer Fab Site Code

ZDB Package

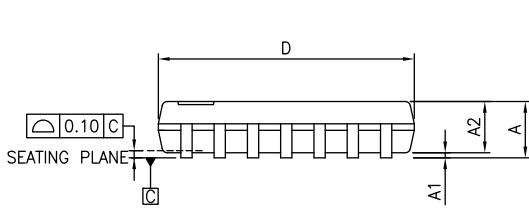
PI3B31  
26ZDBE  
● YYWWXX

YY: Year  
WW: Workweek  
1st X: Assembly Site Code  
2nd X: Fab Site Code

**Packaging Mechanical: 14-TSSOP (L)**



SYMBOLS	MIN.	NOM.	MAX.
A	–	–	1.20
A1	0.05	–	0.15
A2	0.80	1.00	1.05
b	0.19	–	0.30
c	0.09	–	0.20
D	4.90	5.00	5.10
E1	4.30	4.40	4.50
E	6.20	6.40	6.60
e	0.65 BSC		
L1	1.00 REF		
L	0.45	0.60	0.75
S	0.20	–	–
$\theta$	0°	–	8°



- NOTES:  
 1. ALL DIMENSIONS IN MILLIMETERS. ANGLES IN DEGREES.  
 2. JEDEC MO-153F  
 3. DIMENSIONS DOES NOT INCLUDE MOLD FLASH, PROTRUSIONS OR GATE BURRS.

<b>PERICOM</b> Enabling Serial Connectivity	DATE: 03/24/16
DESCRIPTION: 14-Pin, 173mil Wide TSSOP	
PACKAGE CODE: L (L14)	
DOCUMENT CONTROL #: PD-1309	REVISION: E

16-0060

**PI3B3125/PI3B3126**

**Packaging Mechanical: 14-SOIC (W)**



16-0055

<b>PERICOM</b> Enabling Serial Connectivity	DATE: 03/24/16
DESCRIPTION: 14-Pin, 150mil Wide SOIC	
PACKAGE CODE: W (W14)	
DOCUMENT CONTROL #: PD-1002	REVISION: E

**PI3B3125/PI3B3126**

**Packaging Mechanical: 16-QSOP (Q)**

SYMBOLS	MIN.	NOM.	MAX.
A	—	—	0.069
A1	0.004	—	0.0098
A2	0.049	—	—
b	0.008	—	0.012
c	0.004	—	0.010
D	0.189	0.193	0.197
E1	0.150	0.154	0.158
E	0.228	0.236	0.244
L	0.016	—	0.050
L1	0.041 REF.		
e	0.025 BSC.		
$\theta^\circ$	0	—	8

UNIT : INCH

**NOTES:**  
 1. ALL DIMENSIONS IN INCH. ANGLES IN DEGREES.  
 2. JEDEC MO-137E  
 3. DIMENSIONS DOES NOT INCLUDE MOLD FLASH, PROTRUSIONS OR GATE BURRS.

**PERICOM**  
Enabling Serial Connectivity

DATE: 04/08/16

DESCRIPTION: 16-Pin, 150mil Wide QSOP

PACKAGE CODE: Q (Q16)

DOCUMENT CONTROL #: PD-1201

REVISION: H

16-0056



**Packaging Mechanical: 14-TQFN (ZDB)**

**TOP VIEW**

**BOTTOM VIEW**

**SIDE VIEW**

**RECOMMENDED LAND PATTERN(unit:mm)**

PKG. DIMENSIONS(MM)			
SYMBOL	Min	NOM	Max
A	0.75	0.80	0.85
A1	0.00	0.02	0.05
A3	0.15 REF		
D	3.45	3.50	3.55
E	3.45	3.50	3.55
D1	1.90	2.00	2.10
E1	1.90	2.00	2.10
b	0.20	0.25	0.30
e	0.50 BSC		
e1	1.50 BSC		
L	0.35	0.40	0.45

**Note:**  
1. Comply with JEDEC MO-220K, except 'A', 'A3', 'D1' and 'E1'.

<b>DIODES</b>	<b>PERICOM</b>	<b>DATE: 02/15/17</b>
<b>DESCRIPTION: 14-Pin, TQFN, 3.5x3.5</b>		
<b>PACKAGE CODE: ZDB (ZDB14)</b>		
<b>DOCUMENT CONTROL #: PD-2222</b>	<b>REVISION: --</b>	

17-0029

**For latest package info.**

please check: <http://www.diodes.com/design/support/packaging/pericom-packaging/packaging-mechanicals-and-thermal-characteristics/>

**Ordering Information**

Ordering Code	Package Code	Package Description
PI3B3125LEX	L	14-Pin, 173mil Wide (TSSOP)
PI3B3125WEX	W	14-Pin, 150mil Wide (SOIC)
PI3B3125QEX	Q	16-Pin, 150mil Wide(QSOP)
PI3B3126LEX	L	14-Pin, 173mil Wide (TSSOP)
PI3B3126WEX	W	14-Pin, 150mil Wide (SOIC)
PI3B3126QEX	Q	16-Pin, 150mil Wide(QSOP)
PI3B3126ZDBEX	ZDB	16-Pin, 3.5x3.5 (TQFN)

**Notes:**

- EU Directive 2002/95/EC (RoHS), 2011/65/EU (RoHS 2) & 2015/863/EU (RoHS 3) compliant. All applicable RoHS exemptions applied.
- See <http://www.diodes.com/quality/lead-free/> for more information about Diodes Incorporated's definitions of Halogen- and Antimony-free, "Green" and Lead-free. Thermal characteristics can be found on the company web site at [www.diodes.com/design/support/packaging/](http://www.diodes.com/design/support/packaging/)
- E = Pb-free and Green
- X suffix = Tape/Reel

**IMPORTANT NOTICE**

DIODES INCORPORATED MAKES NO WARRANTY OF ANY KIND, EXPRESS OR IMPLIED, WITH REGARDS TO THIS DOCUMENT, INCLUDING, BUT NOT LIMITED TO, THE IMPLIED WARRANTIES OF MERCHANTABILITY AND FITNESS FOR A PARTICULAR PURPOSE (AND THEIR EQUIVALENTS UNDER THE LAWS OF ANY JURISDICTION).

Diodes Incorporated and its subsidiaries reserve the right to make modifications, enhancements, improvements, corrections or other changes without further notice to this document and any product described herein. Diodes Incorporated does not assume any liability arising out of the application or use of this document or any product described herein; neither does Diodes Incorporated convey any license under its patent or trademark rights, nor the rights of others. Any Customer or user of this document or products described herein in such applications shall assume all risks of such use and will agree to hold Diodes Incorporated and all the companies whose products are represented on Diodes Incorporated website, harmless against all damages.

Diodes Incorporated does not warrant or accept any liability whatsoever in respect of any products purchased through unauthorized sales channel.

Should Customers purchase or use Diodes Incorporated products for any unintended or unauthorized application, Customers shall indemnify and hold Diodes Incorporated and its representatives harmless against all claims, damages, expenses, and attorney fees arising out of, directly or indirectly, any claim of personal injury or death associated with such unintended or unauthorized application.

Products described herein may be covered by one or more United States, international or foreign patents pending. Product names and markings noted herein may also be covered by one or more United States, international or foreign trademarks.

This document is written in English but may be translated into multiple languages for reference. Only the English version of this document is the final and determinative format released by Diodes Incorporated.

**LIFE SUPPORT**

Diodes Incorporated products are specifically not authorized for use as critical components in life support devices or systems without the express written approval of the Chief Executive Officer of Diodes Incorporated. As used herein:

A. Life support devices or systems are devices or systems which:

1. are intended to implant into the body, or

2. support or sustain life and whose failure to perform when properly used in accordance with instructions for use provided in the labeling can be reasonably expected to result in significant injury to the user.

B. A critical component is any component in a life support device or system whose failure to perform can be reasonably expected to cause the failure of the life support device or to affect its safety or effectiveness.

Customers represent that they have all necessary expertise in the safety and regulatory ramifications of their life support devices or systems, and acknowledge and agree that they are solely responsible for all legal, regulatory and safety-related requirements concerning their products and any use of Diodes Incorporated products in such safety-critical, life support devices or systems, notwithstanding any devices- or systems-related information or support that may be provided by Diodes Incorporated. Further, Customers must fully indemnify Diodes Incorporated and its representatives against any damages arising out of the use of Diodes Incorporated products in such safety-critical, life support devices or systems.

Copyright © 2016, Diodes Incorporated  
www.diodes.com