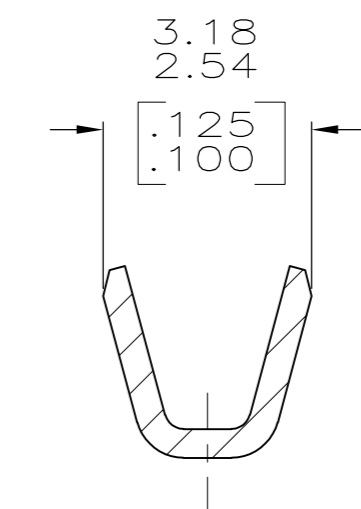
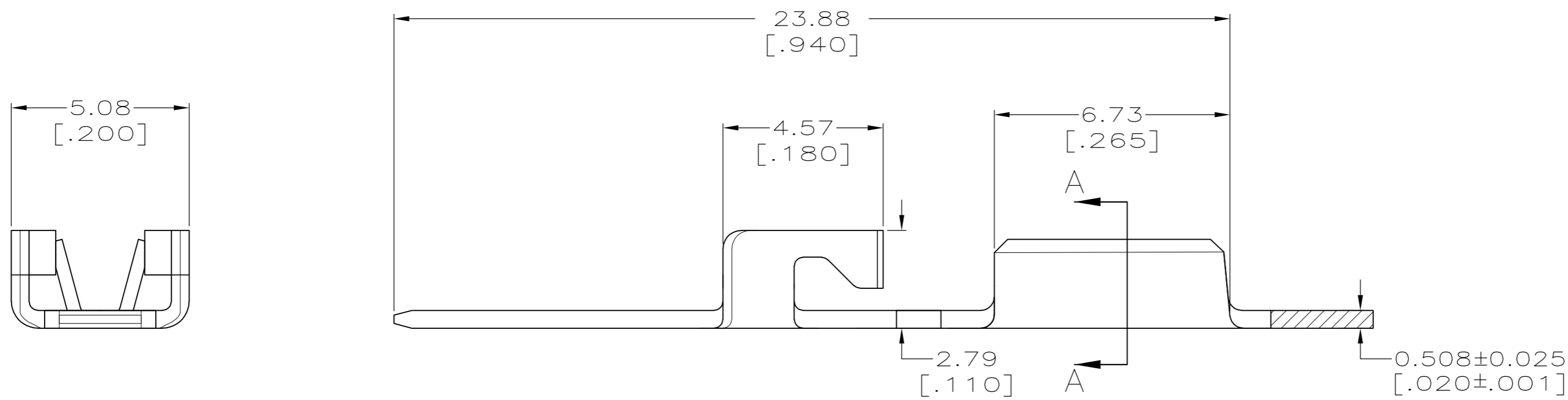
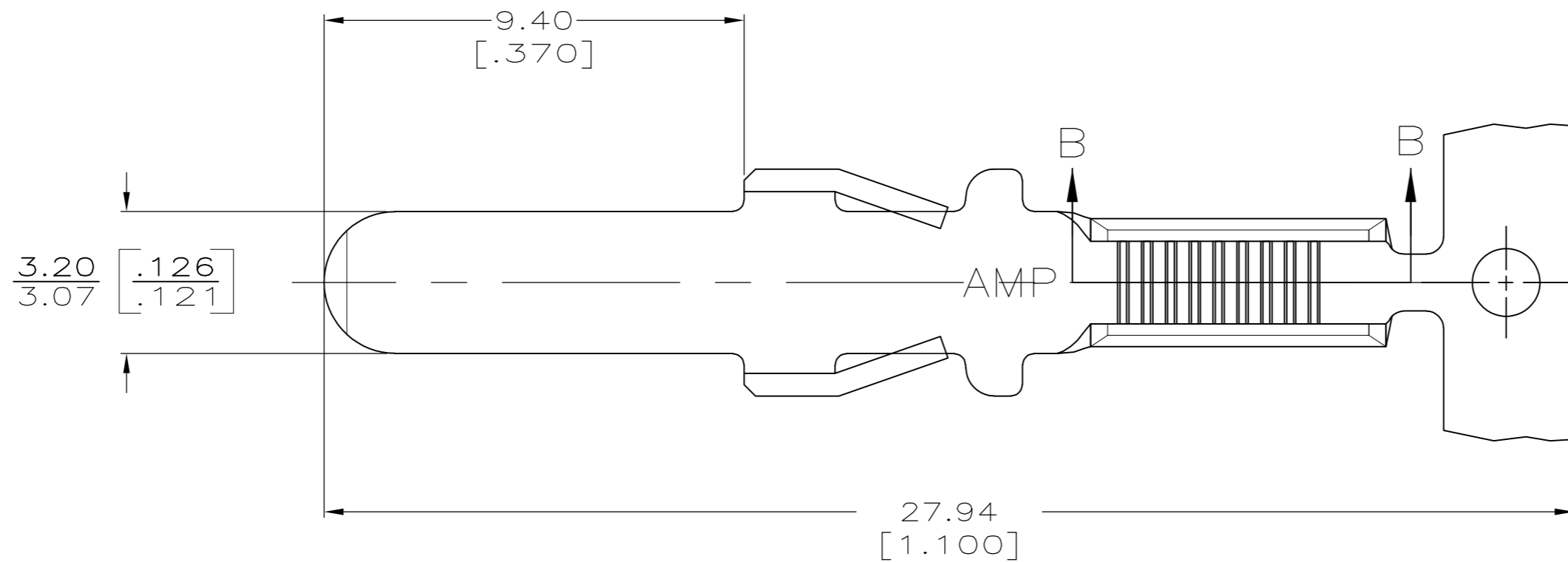


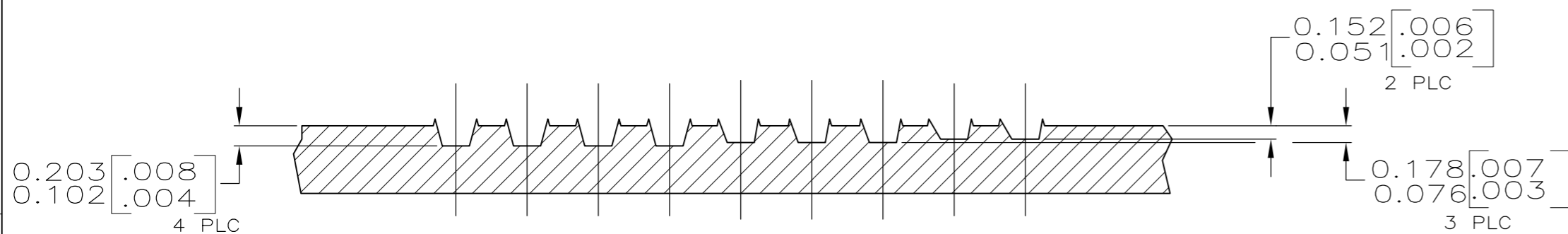
THIS DRAWING IS UNPUBLISHED. RELEASED FOR PUBLICATION  
 © COPYRIGHT - By TYCO ELECTRONICS CORPORATION. ALL RIGHTS RESERVED.

LOC	DIST	REVISIONS			
P	LTR	DESCRIPTION	DATE	DWN	APVD
AF	50				
	F	REVISE PER ECR-13-013738	15FEB14	GRZ	JL

1 CONTINUOUS STRIP ON REEL.



SECTION A-A  
SCALE 10:1



SECTION B-B  
SCALE 25:1

400-1600 CMA RANGE	1217029-1
WIRE RANGE	PART NUMBER

TE Connectivity		CONTACT, 3.18 [.125] BLADE,AMPLIVAR	
		SIZE	CAGE CODE
A2	00779	DRAWING NO	RESTRICTED TO
C=1217029		SCALE	SHEET
CUSTOMER DRAWING		8:1	1 of 1
		REV	F

THIS DRAWING IS A CONTROLLED DOCUMENT.		DWN	04/NOV/97
		CHK	PHILLIP M. FORTNEY
		CHK	JEFF R. RUTH
		APVD	-
DIMENSIONS:		TOLERANCES UNLESS OTHERWISE SPECIFIED:	
INCHES		0 PLC ± -	
		1 PLC ± -	
		2 PLC ± 0.25 [.010]	
		3 PLC ± -	
		4 PLC ± -	
		ANGLES ± -	
MATERIAL		FINISH	
BRASS		0.002032 [.000080] MIN TIN PL PER MIL-T-10727	
		WEIGHT	
		-	
		CUSTOMER DRAWING	

CUSTOMER DRAWING