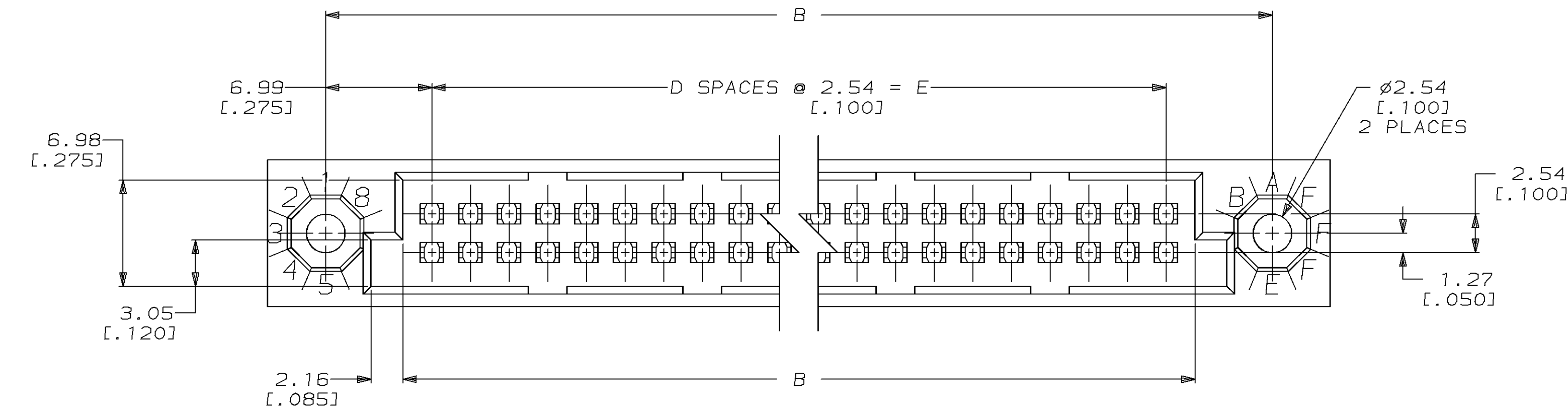
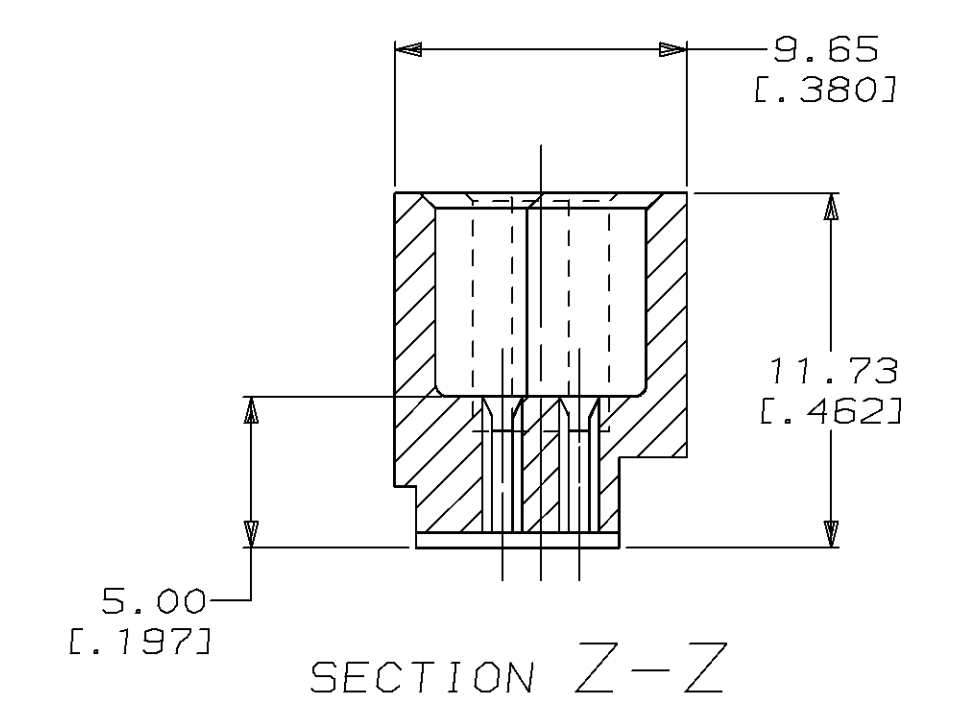
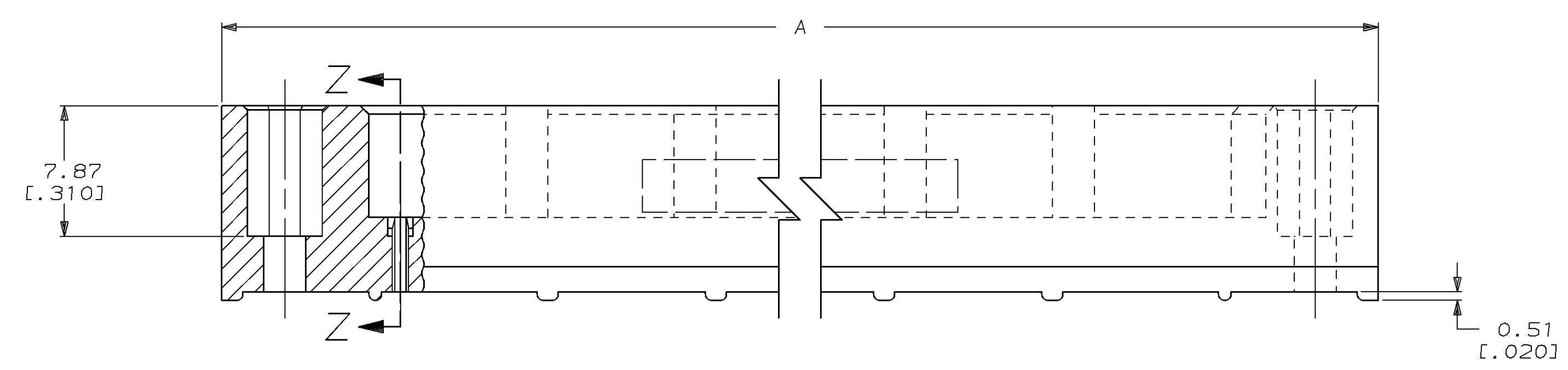


REVOLUTIONS		DATE	BY	APP'D
0	DRAWN	11-8-94	TS	GS
A	PER EC 0257-95	2-20-95	TS	GS



⚠ MATERIAL: THERMOPLASTIC, COLOR: NATURAL.



251.46 [9.900]	99	255.27 [10.050]	265.43 [10.450]	273.05 [10.750]	200	1-532417-9
149.86 [5.900]	59	153.67 [6.050]	163.83 [6.450]	171.45 [6.750]	120	1-532417-1
E	D	C	B	A	NUMBER OF POSITIONS	PART NUMBER

THIS DRAWING IS A CONTROLLED DOCUMENT FOR AMP INCORPORATED. IT IS SUBJECT TO CHANGE AND THE CONTROLLING ENGINEERING ORGANIZATION SHOULD BE CONTACTED FOR THE LATEST REVISION.

DATE	11-8-94	BY	T. SHUEY
DATE	11-9-94	CHK	G. SKIPPER
DATE	11-9-94	APP'D	G. SKIPPER

AMP AMP Incorporated
Harrisburg, PA 17105-3608

PRODUCT SPEC: HOUSING, PIN, HDI, 2 ROW

SIZE: A1 CAGE CODE: 00779 DRAWING NO: C-532417

SCALE: 4:1 SHEET 1 OF 1 REV A