

OSS-O

~45° + 15° oval beam optimized for Osram Golden Dragon+. Assembly with white holder.

TECHNICAL SPECIFICATIONS:

Dimensions	21.6 mm
Height	13.9 mm
Fastening	tape
ROHS compliant	yes ⓘ

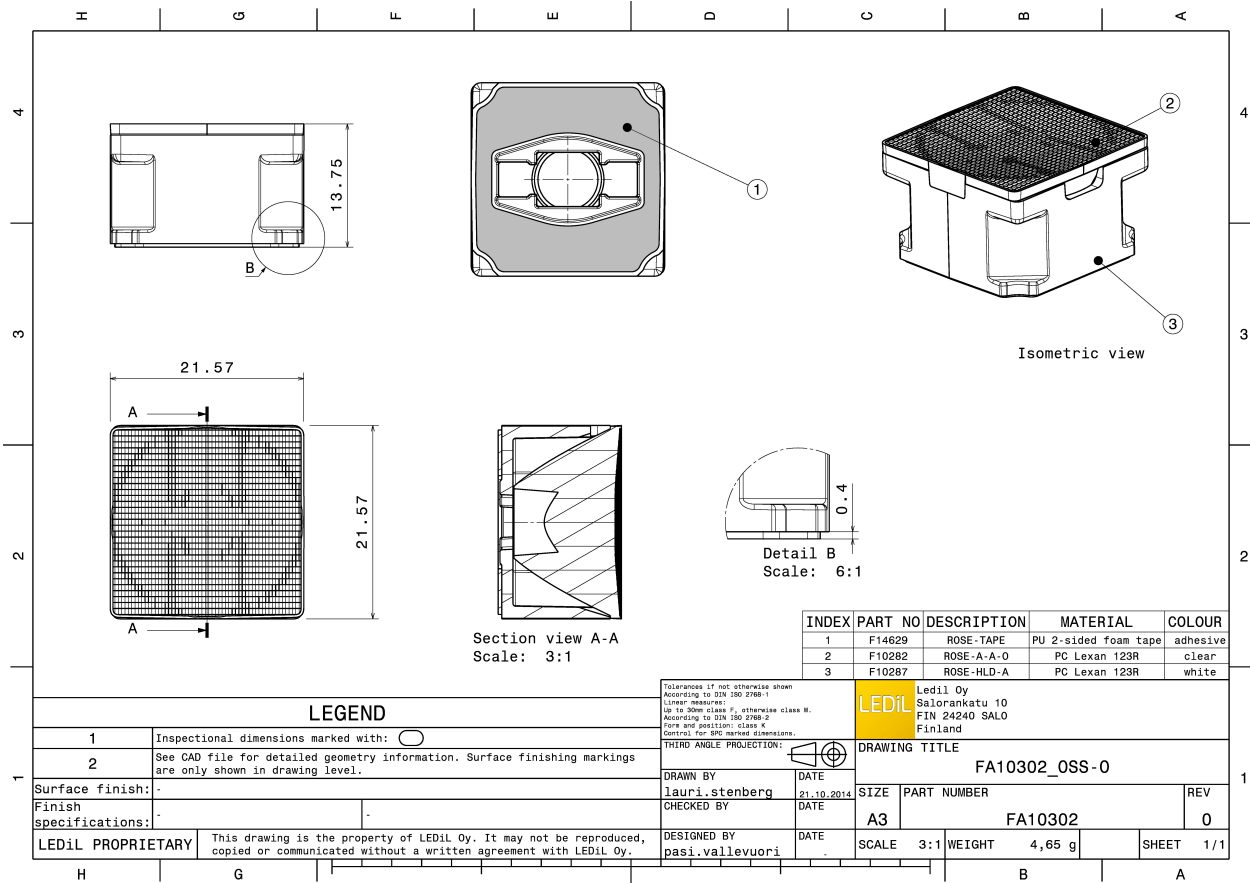
MATERIAL SPECIFICATIONS:

Component	Type	Material	Colour	Finish
ROSE-A-A-O	Single lens	PC	clear	
ROSE-HLD-A	Holder	PC	white	
ROSE-TAPE	Tape	PU tape	black	



ORDERING INFORMATION:

Component		Qty in box	MOQ	MPQ	Box weight (kg)
FA10302_OSS-O	Single lens	2304	288	144	12.1
» Box size:					



INDEX	PART NO	DESCRIPTION	MATERIAL	COLOUR
1	F14629	ROSE-TAPE	PU 2-sided foam tape	adhesive
2	F10282	ROSE-A-A-0	PC Lexan 123R	clear
3	F10287	ROSE-HLD-A	PC Lexan 123R	white

LEGEND

1	Inspectional dimensions marked with:
2	See CAD file for detailed geometry information. Surface finishing markings are only shown in drawing level.
Surface finish:	-
Finish specifications:	-
LEDiL PROPRIETARY	This drawing is the property of LEDiL Oy. It may not be reproduced, copied or communicated without a written agreement with LEDiL Oy.

Tolerances if not otherwise shown according to DIN ISO 2768-1
 Linear measures:
 up to 30mm class F, otherwise class M.
 According to DIN ISO 2768-2
 Form and position: class K
 Control for SPC marked dimensions.

THIRD ANGLE PROJECTION:



DRAWING TITLE

FA10302_OSS-0

DRAWN BY	DATE	SIZE	PART NUMBER	REV
lauri.stenberg	21.10.2014	A3	FA10302	0
CHECKED BY	DATE	SCALE	WEIGHT	SHEET
pasi.vallevuori		3:1	4,65 g	1/1

PHOTOMETRIC DATA (MEASURED):

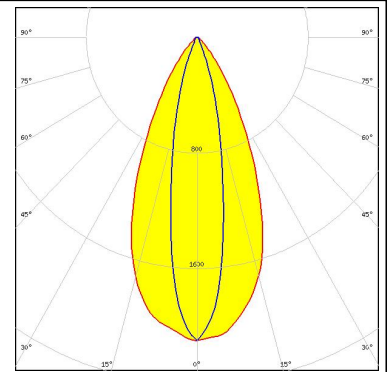
OSRAM
Opto Semiconductors

LED	Golden Dragon+
FWHM	42.0 + 11.0°
Efficiency	86 %
Peak intensity	4.2 cd/lm
LEDs/each optic	1
Light colour	White
Required components:	

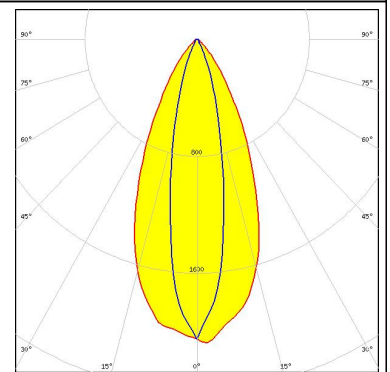
PHOTOMETRIC DATA (SIMULATED):



LED J Series 5050
FWHM 48.0 + 20.0°
Efficiency 83 %
Peak intensity 2.1 cd/lm
LEDs/each optic 1
Light colour White
Required components:



LED MHB-A/B
FWHM 46.0 + 22.0°
Efficiency 83 %
Peak intensity 2.1 cd/lm
LEDs/each optic 1
Light colour White
Required components:



LED MHB-A/B
FWHM 48.0 + 22.0°
Efficiency 82 %
Peak intensity 2 cd/lm
LEDs/each optic 1
Light colour White
Required components:



LED OSLOM Square EC
FWHM 12.0 + 50.0°
Efficiency 85 %
Peak intensity 3.8 cd/lm
LEDs/each optic 1
Light colour White
Required components:

GENERAL INFORMATION:

NOTE: The typical beam angle will be changed by different color, chip size and chip position tolerance. The typical total beam angle is the full angle measured where the luminous intensity is half of the peak value.

MATERIALS:

As part of our continuous research and improvement processes, and to ensure the best possible quality and availability of our products, LEDiL reserves the right to change material grades without notice.

PRODUCT DATA USER AGREEMENT AND DISCLAIMER:

The measured data in the provided downloadable LEDiL Product Datasheets and Mechanical 2D-Drawings is rounded and provided as reference for planning. LEDiL Oy's optical specifications have been verified by conducting performance testing of the products in accordance with the company's quality system. The reported data are averaged results of multiple measurements with typical variation. LEDiL Oy reserves the right to without prior notification make changes and improvements to its products.

LEDiL Oy assumes neither warranty, nor guarantee nor any other liability of any kind for the contents and correctness of the provided data. The provided data has been generated with highest diligence but the provided data may in reality not represent the complete possible variation range of all intrinsic parameters. Therefore, in certain cases a deviation from the provided data could occur.

LEDiL Oy reserves the right to undertake technical changes of its products without further notification which could lead to changes in the provided data. LEDiL Oy assumes no liability of any kind for the possible deviation from any provided data or any other damage resulting from the usage of the provided data.

The user agrees to this disclaimer and user agreement with the download or usage of the provided files.

LEDiL Oy

Joensuunkatu 13
FI-24240 SALO
Finland

LEDiL Inc.

228 West Page Street
Suite D
Sycamore IL 60178
USA

Local sales and technical support

[www.ledil.com/
where_to_buy](http://www.ledil.com/where_to_buy)

Shipping locations

Salo, Finland
Hong Kong, China

Distribution Partners

[www.ledil.com/
where_to_buy](http://www.ledil.com/where_to_buy)