

# EmCORE-i9457

## Intel® Core™ 2 Duo 3.5" Compact Board



### Features

- Support Intel® Socket M Mobile Processors
- Integrated Gigabit Ethernet
- Dual Channels 24-bit LVDS, and Analog RGB
- Support Dual Independent Displays
- **Extended Operating Temp.: -20 ~ 70°C**

### System

<b>CPU</b>	Intel® Core™ 2 Duo/Core™ Duo processor with 667MHz FSB Intel® Celeron® M processor with 533MHz FSB
<b>Memory</b>	1 x 200-pin DDR2 SO-DIMM socket, supporting 533MHz SDRAM up to 2GB
<b>Chipset</b>	Intel® 945GME + ICH7M
<b>BIOS</b>	Phoenix-Award PnP Flash BIOS
<b>Watchdog Timer</b>	1~255 levels reset

### I/O

<b>I/O Chip</b>	Winbond W83627HG
<b>Serial Port</b>	2 x COM ports (1 x RS-232, 1 x RS-232/422/485 selectable)
<b>Parallel Port</b>	SPP/EPP/ECP mode selectable
<b>USB Port</b>	6 x USB 2.0 ports
<b>KB/MS</b>	1 x 6-pin Mini-DIN connector for keyboard and mouse (PS/2 standard via Y-cable)
<b>Expansion Bus</b>	1 x Mini PCI socket
<b>Storage</b>	1 x Ultra ATA, supporting 2 IDE devices
	1 x Serial ATA ports with 150MB/s HDD transfer rate
	1 x CompactFlash Type II socket
	1 x Floppy disk drive, shared with parallel port
<b>Ethernet Chipset</b>	1 x Realtek RTL8111 PCIe GbE controller
<b>Audio Interface</b>	Realtek ALC655 6 Channel AC97 Audio Codec, Mic-in/Line-in/Line-out

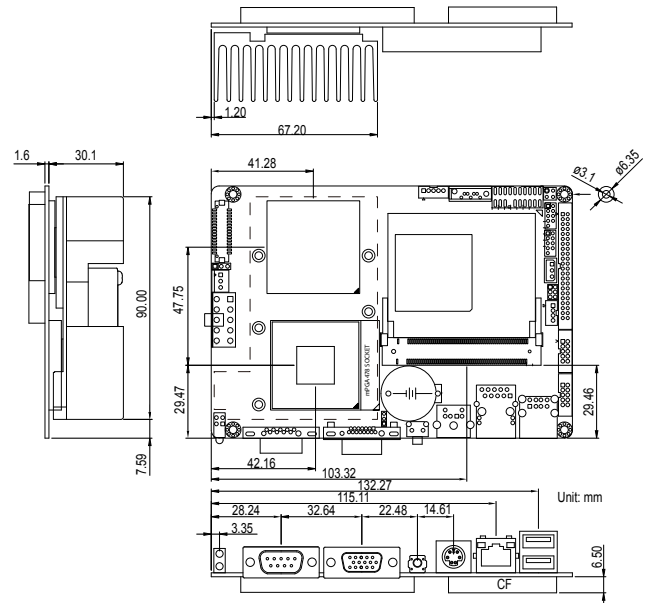
### Display

<b>Graphics Chipset</b>	Integrated Intel® Graphics Media Accelerator 950
<b>Graphics Interface</b>	Analog RGB supports resolution up to 2048 x 1536 @60Hz LCD: Dual Channels 24-bit LVDS

### Mechanical & Environmental

<b>Power Connector</b>	2 x 5-pin ATX power connector
<b>Power Consumption</b>	6.06A@+5V, 0.43A@+12V, 0.3A@+3.3V with Intel® Core™ 2 Duo T7400 2.16GHz (Typical)
<b>Operating Temp.</b>	-20 ~ 70°C (-4 ~ 158°F)
<b>Operating Humidity</b>	10 ~ 95% @ 70°C (non-condensing)
<b>Dimensions (L x W)</b>	146 x 102 mm (5.7" x 4")

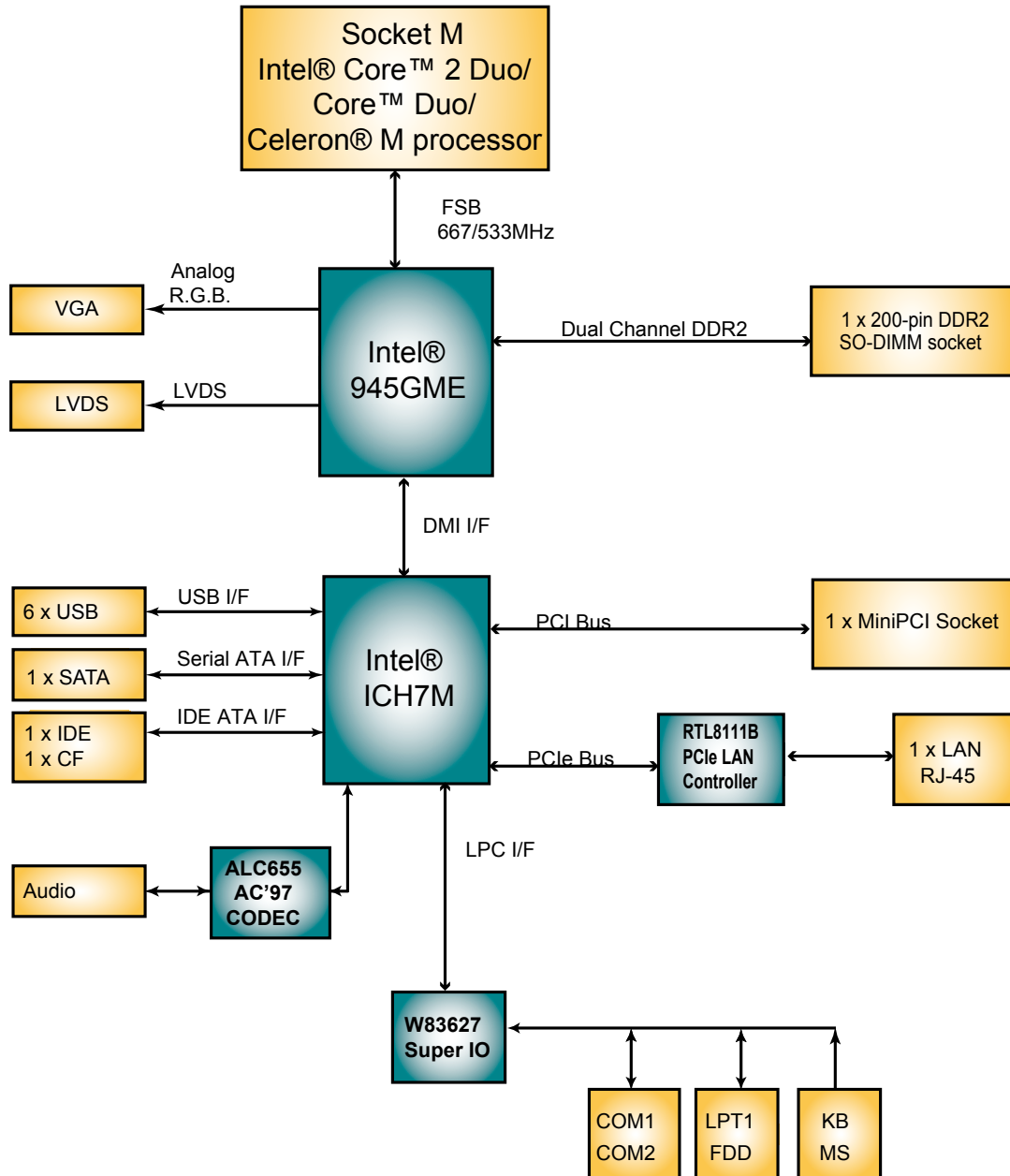
### Dimensions



#### Recommended CPU List:

- T7400 2.16GHz Core™ 2 Duo Processor
- T2500 2.0GHz Core™ 2 Duo Processor
- 530 1.73GHz Celeron® Processor
- 440 1.86GHz Celeron® M Processor

## Block Diagram



## Ordering Information

**EmCORE-i9457VLG** Socket M Intel® Core™ 2 Duo/Core™ Duo/Celeron® M 3.5" Compact Board

## Optional Accessories

**CBK-08-9457-00**

- Cable kit
- 1 x audio cable
  - 1 x COM port cable
  - 1 x LPT to FDD cable
  - 1 x IDE cable
  - 1 x LPT cable
  - 1 x KB & MS cable
  - 1 x SATA cable
  - 2 x USB cables