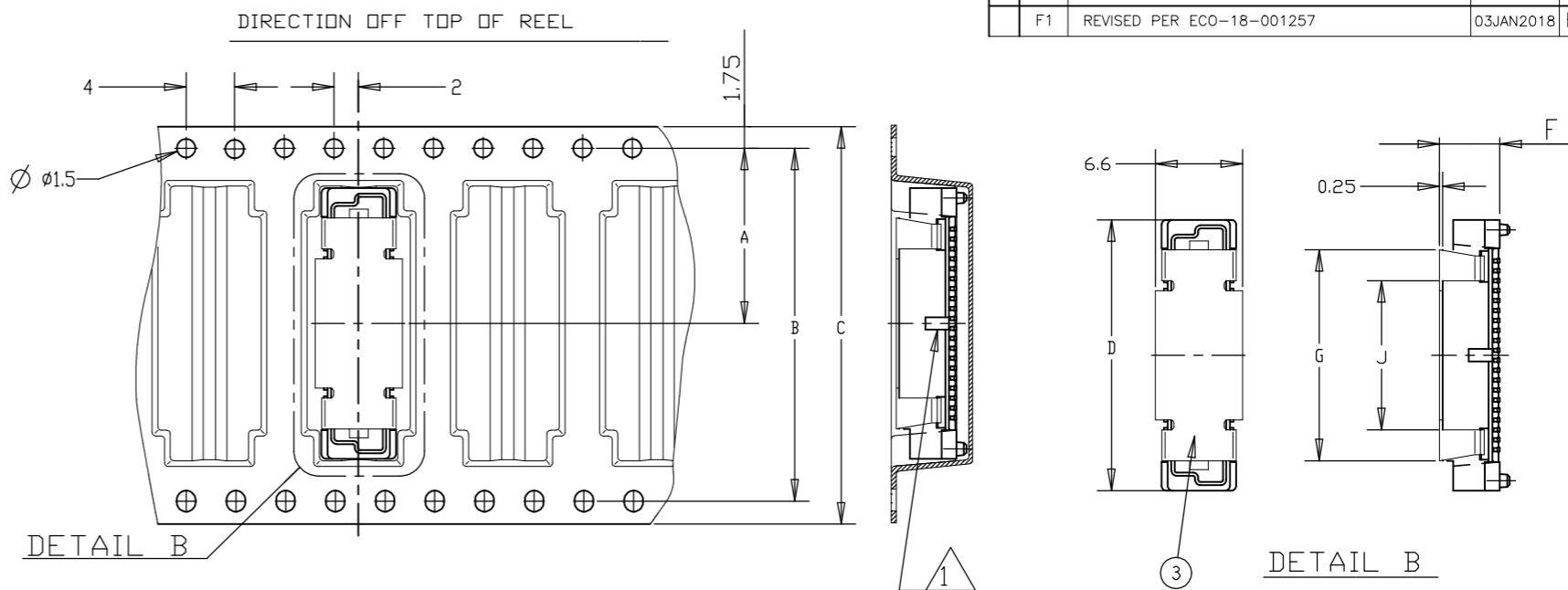


THIS DRAWING IS UNPUBLISHED. RELEASED FOR PUBLICATION
 © COPYRIGHT - TE Connectivity ALL RIGHTS RESERVED.

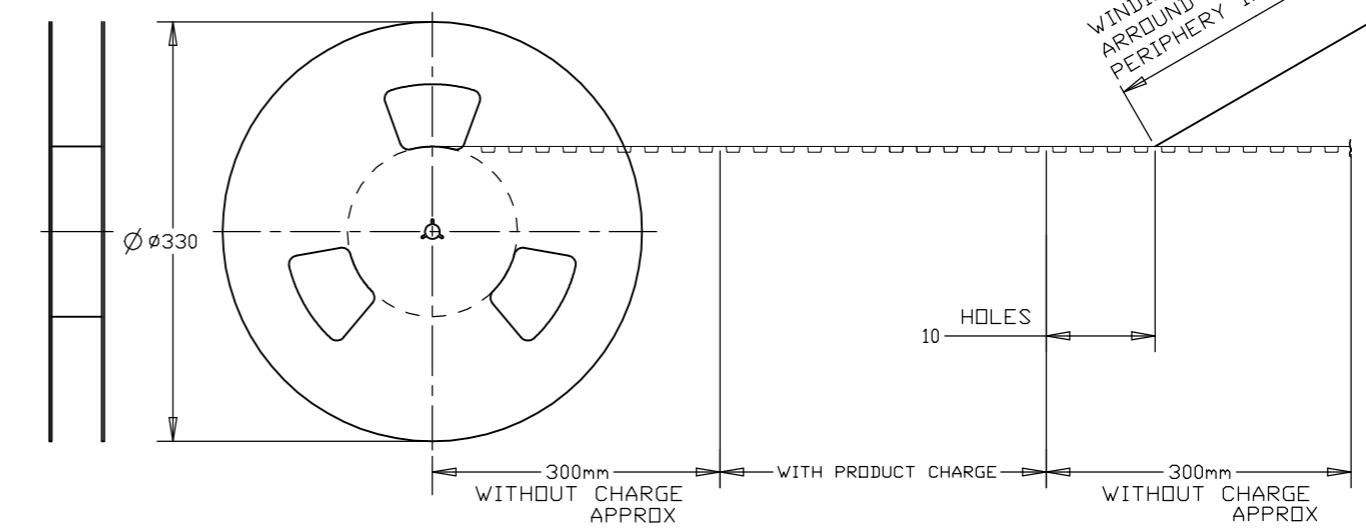
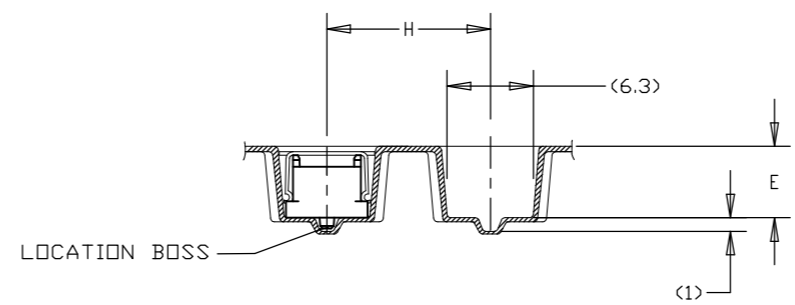
REVISIONS					
P	LTR	DESCRIPTION	DATE	DWN	APVD
F1		REVISED PER ECO-18-001257	03JAN2018	R.L	H.L

LOW HALOGEN

- Notes:
- 1 CUTOUT FEATURE AVAILABLE ONLY ON 5H ASSY P/N -1 (40P) AND -2 (60P).
 - 6 0.00038 MIN GOLD PLATING (15u INCHES GOLD PLATING)
 - 3 CONNECTOR DIMENSIONS REFERENCED FROM DRAWING WHICH CONN. P/NS BASED
 - 4 CONNECTOR WITH BLACK HOUSING
 - 5 MATERIAL: HOUSING: L.C.P UL 94-V0. CONTACT: BRASS



REMARKS	QTY	HEIGHT TYPE	F1										POS	SALEABLE PART NO.								
			Y	X	J	H	G	F	E	D	C	B			A							
0.00076 MIN GOLD PLATING (30u INCHES GOLD PLATING)	450														61.8	88	84.4	42.2	140	7-	-6	
	700	7H	3.6	6.6	12		6.85	7.25	21.8	32	28.4	14.2	40		53.8	72	68.4	34.2	120	7-	-5	
	550														45.8	56	52.4	26.2	80	7-	-4	
	800	6H	2.6	5.6	12		5.85	6.25	21.8	32	28.4	14.2	40		37.8	44	40.4	20.2	60	7-	-3	
	650														29.8	44	40.4	20.2	60	6-	-2	
	900	5H	1.2	4.6	12	12	17	4.85	5.25	21.8	32	28.4	14.2	40		69.8			160	6-	-8	
	900	5H	1.2	4.6	12	12	17	4.85	5.25	37.8	56	52.4	26.2	80		61.8	88	84.4	42.2	140	6-	-6
	450	7H	3.6	6.6	12	16	17	6.85	7.25	53.8	72	68.4	34.2	120		53.8			120	6-	-5	
	400														45.8	72	68.4	34.2	100	6-	-4	
	600	8H	4.6	7.6	12		7.85	8.25	21.8	32	28.4	14.2	40		37.8	56	52.4	26.2	80	6-	-3	
	450														29.8	44	40.4	20.2	60	6-	-2	
	0.0002 MIN GOLD PLATING (7.8u INCHES GOLD PLATING)	700														85.8	104	100.4	50.2	200	4-	-0
500		7H	3.6	6.6	16		6.85	7.25	21.8	32	28.4	14.2	40		77.8	104	100.4	50.2	180	3-	-9	
550															69.8			160	3-	-8		
800		6H	2.6	5.6	12		5.85	6.25	21.8	32	28.4	14.2	40		61.8	88	84.4	42.2	140	3-	-6	
650															53.8			120	3-	-5		
900		5H	1.2	4.6	12	12	17	4.85	5.25	21.8	32	28.4	14.2	40		45.8	72	68.4	34.2	100	3-	-4
900		5H	1.2	4.6	12	12	17	4.85	5.25	37.8	56	52.4	26.2	80		37.8	56	52.4	26.2	80	3-	-3
450		7H	3.6	6.6	12	16	17	6.85	7.25	53.8	72	68.4	34.2	120		29.8	44	40.4	20.2	60	3-	-2
400															21.8	32	28.4	14.2	40	3-	-1	
600		8H	4.6	7.6	12		7.85	8.25	21.8	32	28.4	14.2	40		85.8	104	100.4	50.2	180	2-	-9	
450															69.8			160	2-	-8		
700															61.8	88	84.4	42.2	140	2-	-6	
500	7H	3.6	6.6	16		6.85	7.25	21.8	32	28.4	14.2	40		53.8			120	2-	-5			
550														45.8	72	68.4	34.2	100	2-	-4		
800	6H	2.6	5.6	12		5.85	6.25	21.8	32	28.4	14.2	40		37.8	56	52.4	26.2	80	2-	-3		
650														29.8	44	40.4	20.2	60	2-	-2		
900	5H	1.2	4.6	12	12	17	4.85	5.25	21.8	32	28.4	14.2	40		69.8			160	1-	-6		
900	5H	1.2	4.6	12	12	17	4.85	5.25	37.8	56	52.4	26.2	80		61.8	88	84.4	42.2	140	1-	-5	
450	7H	3.6	6.6	12	16	17	6.85	7.25	53.8	72	68.4	34.2	120		53.8			120	1-	-4		
400														45.8	72	68.4	34.2	100	1-	-3		
600	8H	4.6	7.6	12		7.85	8.25	21.8	32	28.4	14.2	40		37.8	56	52.4	26.2	80	1-	-2		
450														29.8	44	40.4	20.2	60	1-	-1		



STEEL COVER

WINDING THE COVER TAPE AROUND THE OUTER PERIPHERY IN A TURN.

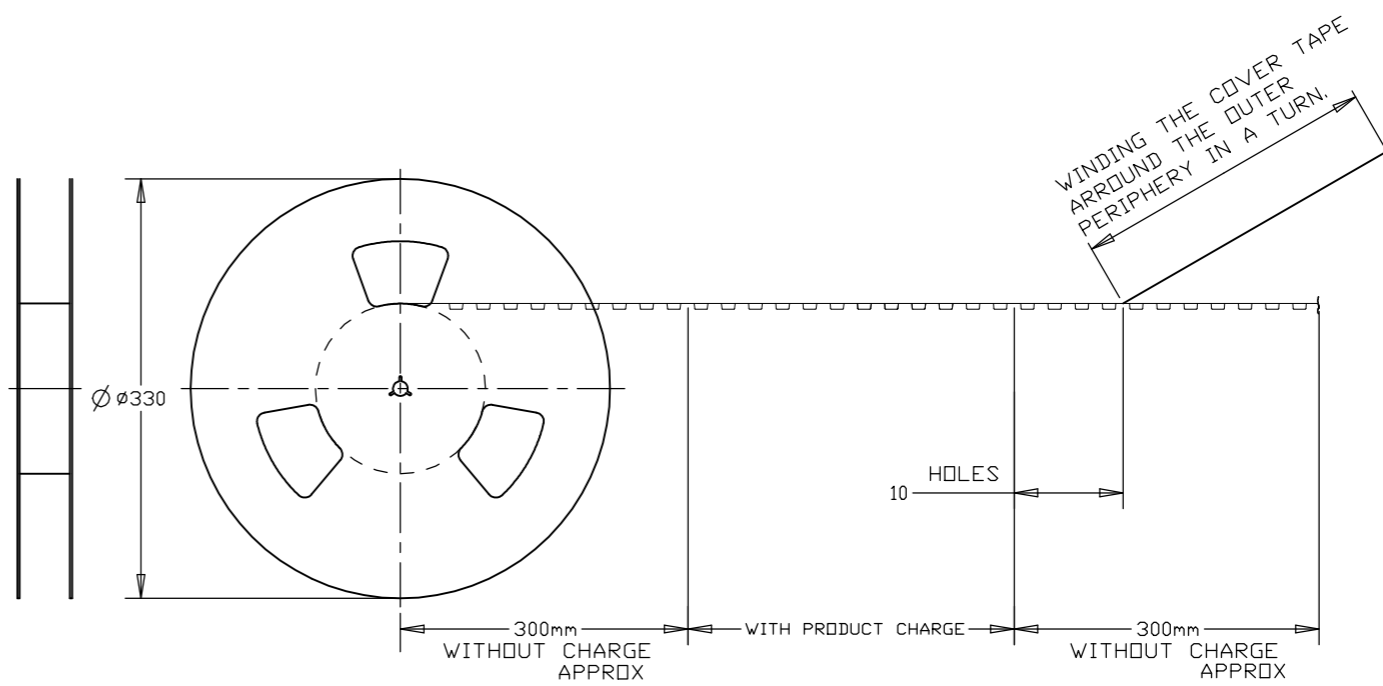
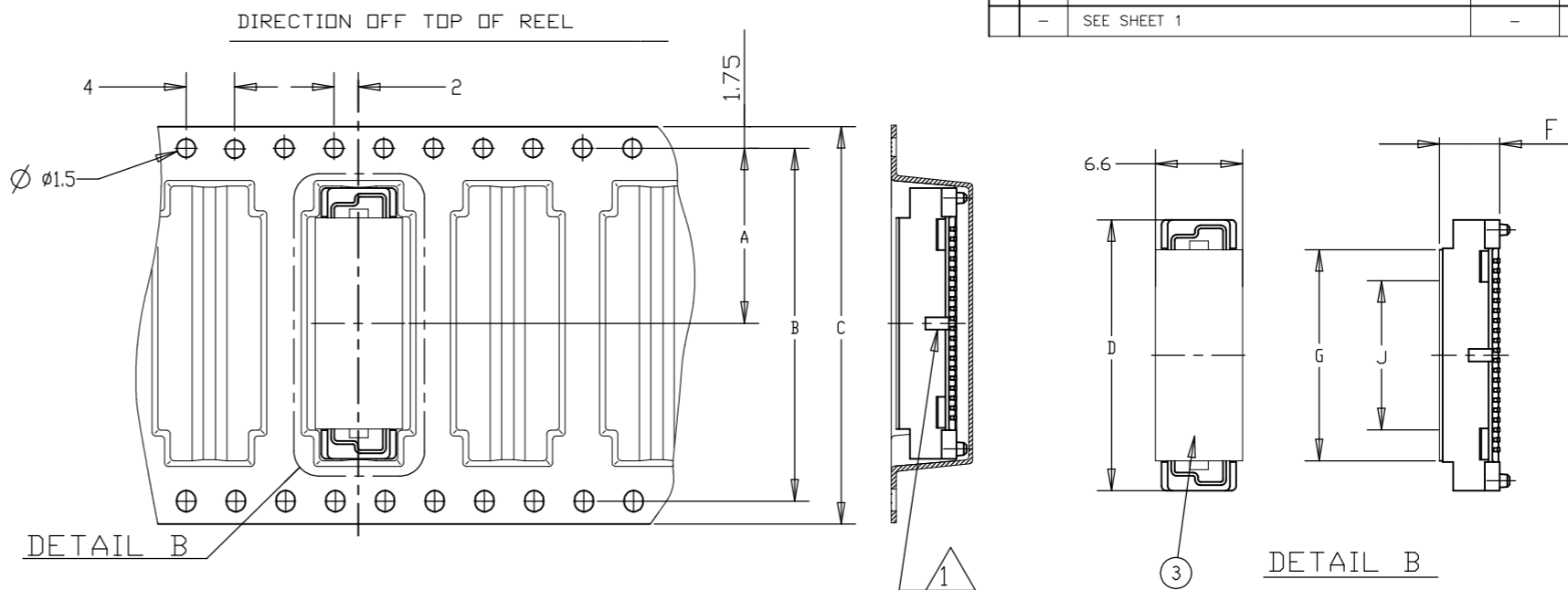
THIS DRAWING IS A CONTROLLED DOCUMENT.		DWN FLORENCE TAN 30AUG2004	STE TE Connectivity	
DIMENSIONS: mm		CHK ERIC TNG 30MAY2012		
TOLERANCES UNLESS OTHERWISE SPECIFIED:		APVD SF LEONG 30MAY2012	NAME	
0 PLC ± -		PRODUCT SPEC		
1 PLC ± 0.2		APPLICATION SPEC		
2 PLC ± 0.15		SIZE		
3 PLC ± 0.1		CAGE CODE		
4 PLC ± -		DRAWING NO		
ANGLES ± -		RESTRICTED TO		
FINISH		WEIGHT 0		
-		A2 00779 C=5177986		
-		CUSTOMER DRAWING		
-		SCALE 1:1 SHEET 1 of 3 REV F1		

THIS DRAWING IS UNPUBLISHED. RELEASED FOR PUBLICATION
 © COPYRIGHT - TE Connectivity ALL RIGHTS RESERVED.

LOW HALOGEN

REVISIONS				
P	LTR	DESCRIPTION	DATE	APVD
-	-	SEE SHEET 1	-	-

Notes:
 6 0.0002 MIN GOLD PLATING
 (7.8u INCHES GOLD PLATING)

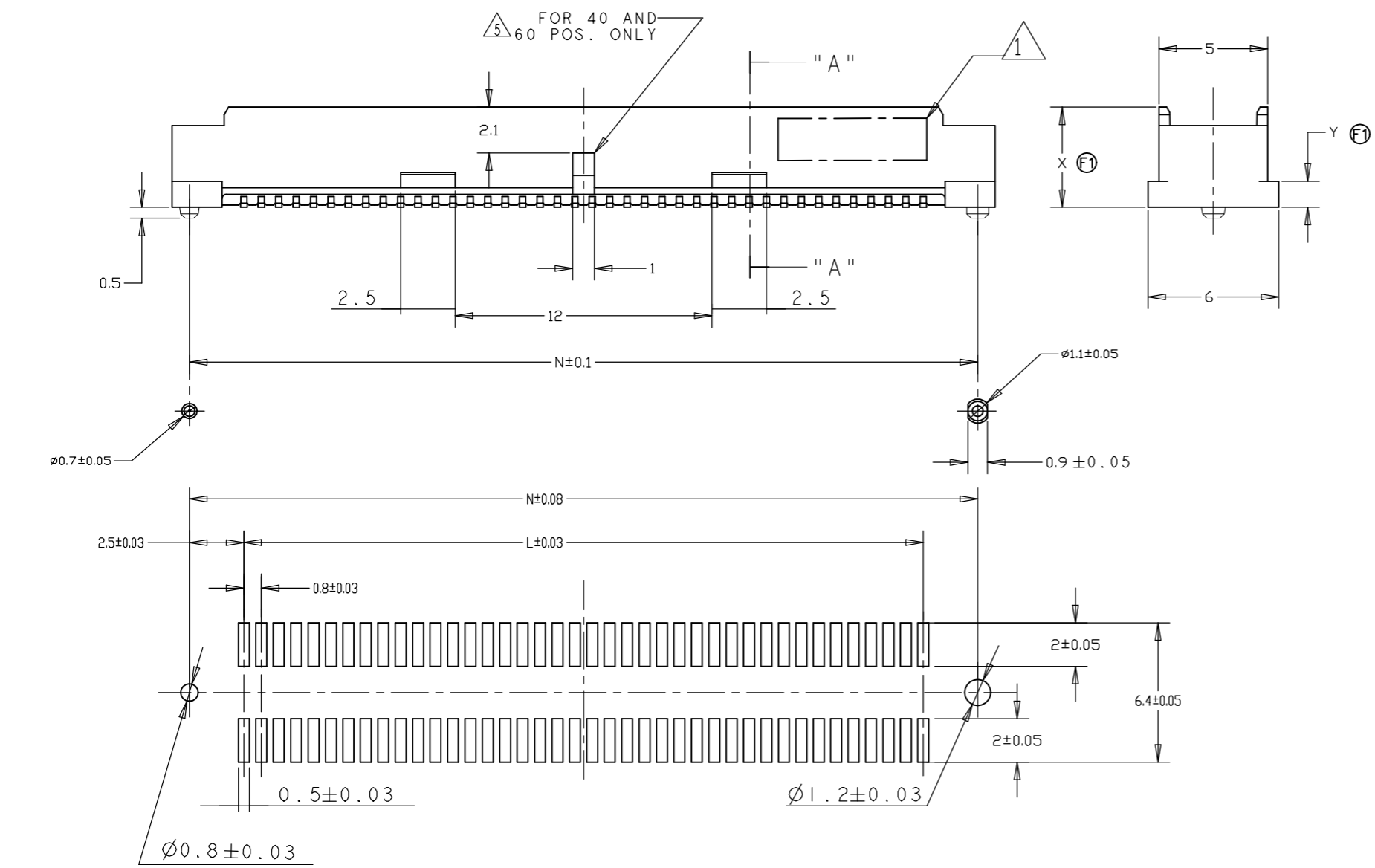
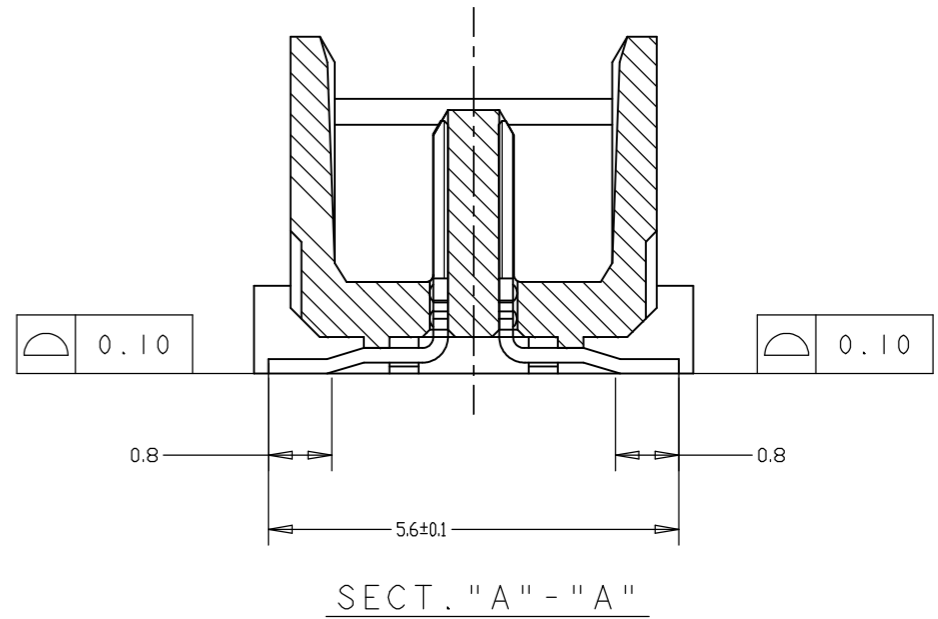
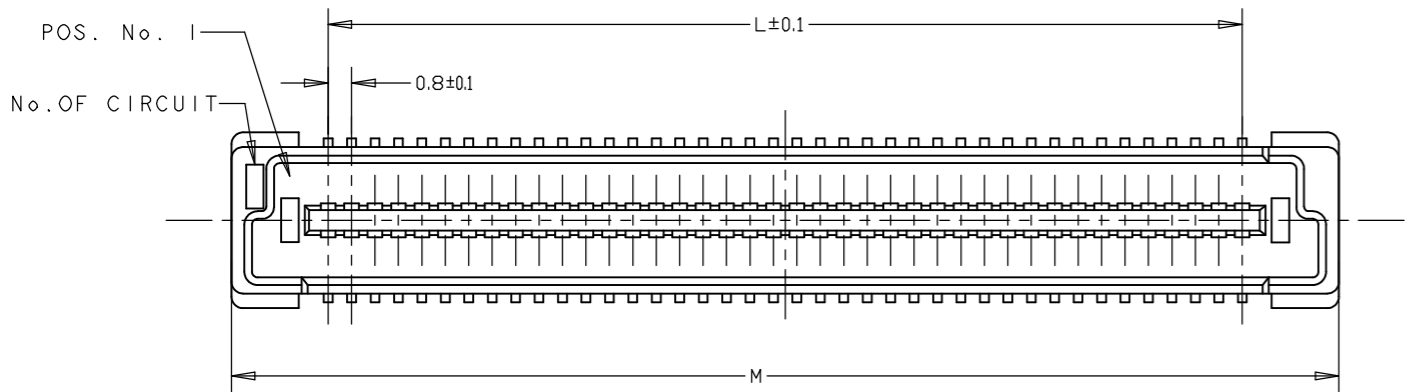


POLYIMIDE COVER

REMARKS	QTY	HEIGHT TYPE	J	H	G	F	E	D	C	B	A	POS	SALEABLE PART NO.
	650	5H	12	16	17	4.85	5.25	61.8	88	84.4	42.2	140	9-5177986-6

THIS DRAWING IS A CONTROLLED DOCUMENT.		DWN 30AUG2004 FLORENCE TAN		
DIMENSIONS: mm		CHK 30MAY2012 ERIC TNG		
TOLERANCES UNLESS OTHERWISE SPECIFIED:		APVD 30MAY2012 SF LEONG	NAME	
0 PLC ± -		PRODUCT SPEC	PLUG ASSEMBLY, FH 0.8 ON TAPING (EMBOSS) 0.5 BOSS LENGTH	
1 PLC ± 0.2		APPLICATION SPEC	SIZE	CAGE CODE
2 PLC ± 0.15		WEIGHT 0	A2	00779
3 PLC ± 0.1		CUSTOMER DRAWING	C=5177986	
4 PLC ± -		SCALE 1:1	SHEET 2 of 3	REV F1
ANGLES ± -				
FINISH -				

REVISIONS				
P	LTR	DESCRIPTION	DATE	APVD
-	-	SEE SHEET 1	-	-



RECOMMENDED P.C. BOARD LAYOUT

LOW HALOGEN

CONNECTOR ONLY

84.2	85.8	79.2	200
76.2	77.8	71.2	180
68.2	69.8	63.2	160
60.2	61.8	55.2	140
52.2	53.8	47.2	120
44.2	45.8	39.2	100
36.2	37.8	31.2	80
28.2	29.8	23.2	60
20.2	21.8	15.2	40
(F1)	N	M	L POS.

THIS DRAWING IS A CONTROLLED DOCUMENT.		DWN FLORENCE TAN 30AUG2004	TE Connectivity	
DIMENSIONS: mm		CHK ERIC TNG 30MAY2012		
TOLERANCES UNLESS OTHERWISE SPECIFIED:		APVD SF LEONG 30MAY2012	NAME	
0 PLC ± -		PRODUCT SPEC	PLUG ASSEMBLY, FH 0.8 ON TAPING (EMBOSS) 0.5 BOSS LENGTH	
1 PLC ± 0.2		APPLICATION SPEC	-	
2 PLC ± 0.15		WEIGHT	SIZE	CAGE CODE
3 PLC ± 0.1		0	A2	00779
4 PLC ± -		CUSTOMER DRAWING	DRAWING NO. C=5177986	
ANGLES ± -		SCALE	RESTRICTED TO	
FINISH		1:1	-	
-		SHEET	REV	
		3 of 3	F1	

5177986