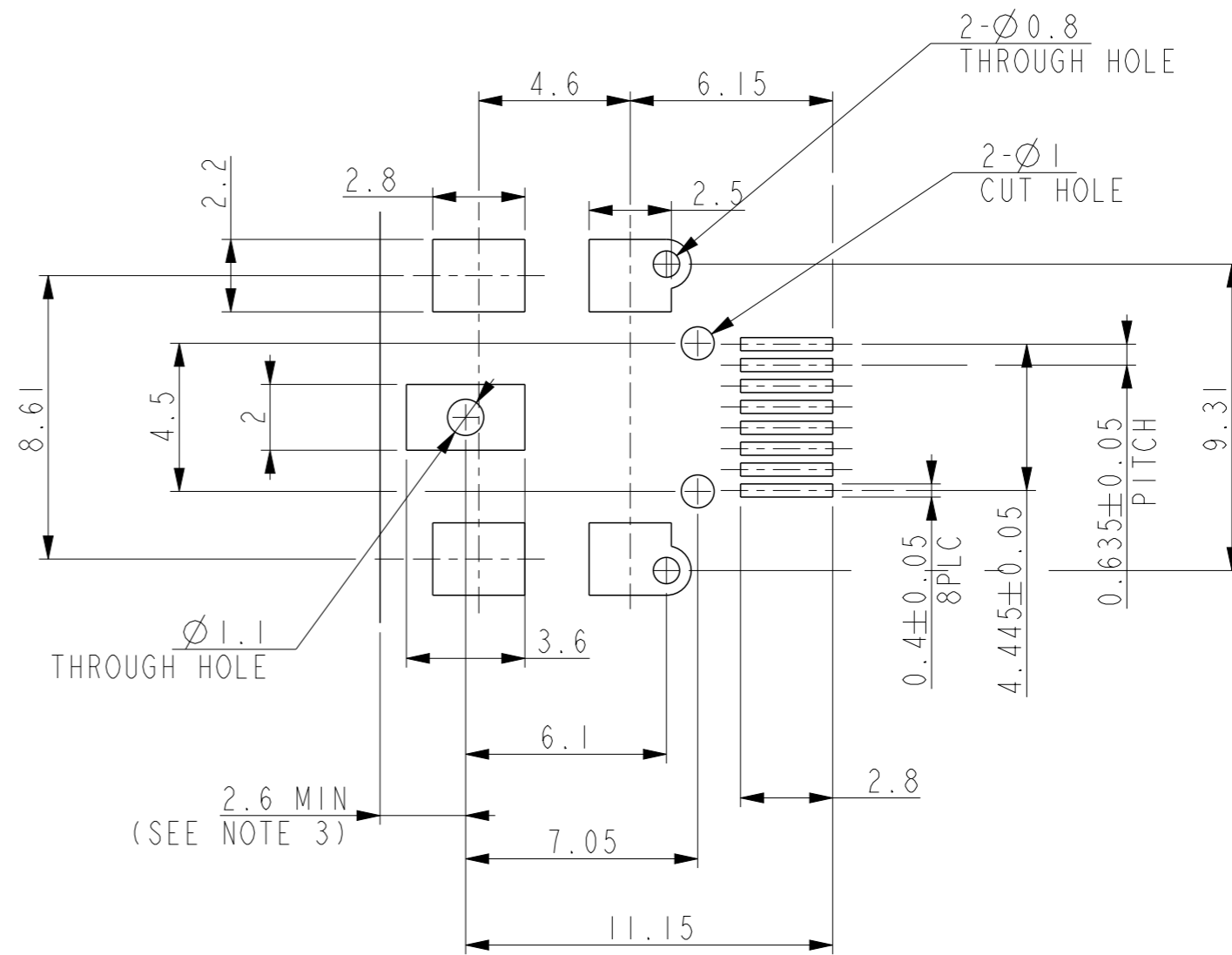


PRODUCT NUMBERING:

10137237 - 0 0 X 0 LF

LEAD FREE

- 1. TYPE 1 (Use Tray Packing)
- 2. TYPE 2 (Use Tape / Reel Packing)



NOTES:

1. MATERIAL AND FINISH
 CONTACT: COPPER ALLOY
 UNDER ALL SURFACE NICKEL 1.27µm MIN.
 TOP CONTACT AREA : GOLD 0.5µm MIN
 SOLDERING AREA : GOLD FLASH.
 HOUSING: THERMO PLASTIC (UL94V-0)
 SHELL: COPPER ALLOY
 UNDER ALL SURFACE NICKEL
 TOP ALL SURFACE TIN
2. COPLANARITY 0.1 MAX
3. DIMENSION DECIDED BY CUSTOMER.
4. PACKAGING SPEC GS-14-2538

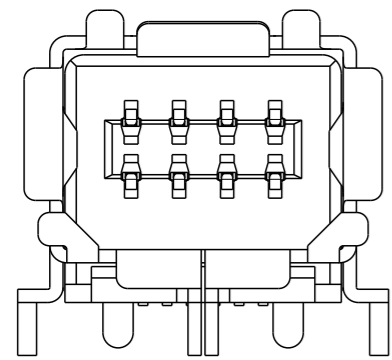
RECOMMENDED BOARD DIMENSION
(CONNECTOR SIDE) ±1.6

Amphenol FCI

© 2016 AFCI

spec ref	GS-12-1345			dr	A P Sawanth	2016/07/12	projection	mm	size	A3	scale	5:1
tolerance std	TOLERANCES UNLESS OTHERWISE SPECIFIED			eng	Mike Zhou	2017/08/14			ecn no	ELX-N-27705-1		
ISO 406 ISO 1101				chr	-	-			product family	rel level	Released	
surface	linear	0.X	±0.3		MINI I/O CONN 1.27mm PITCH 8P HDR ASSY			dwg no 10137237	rev			
ISO 1302		0.XX	±-		cat. no.				Product - Customer Drw		sheet 1 of 2	
	angular	0°	±-°									

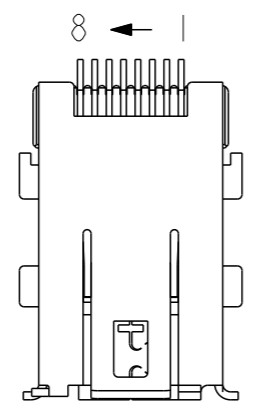
PART NUMBER	DESCRIPTION	POS
10137237-0010LF	TYPE I SMT RIGHT ANGLE	8
10137237-0020LF	TYPE II SMT RIGHT ANGLE	8



10137237-0020LF
D-SHAPE TYPE 2

8	6	4	2
7	5	3	1

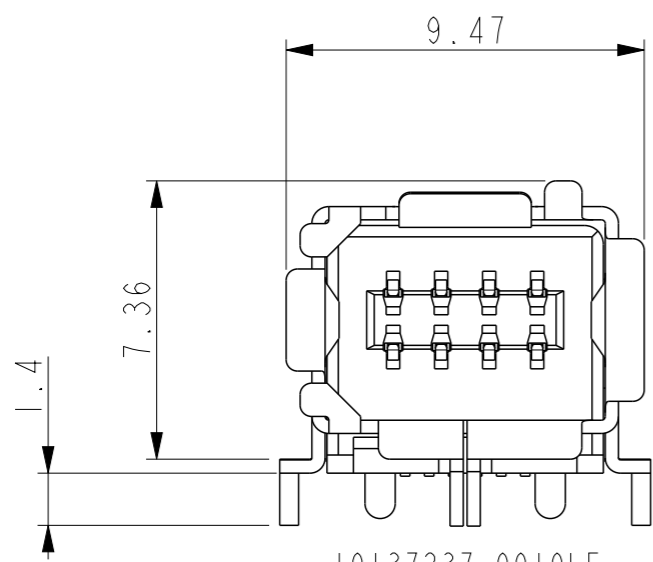
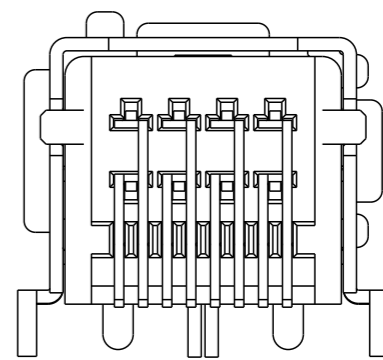
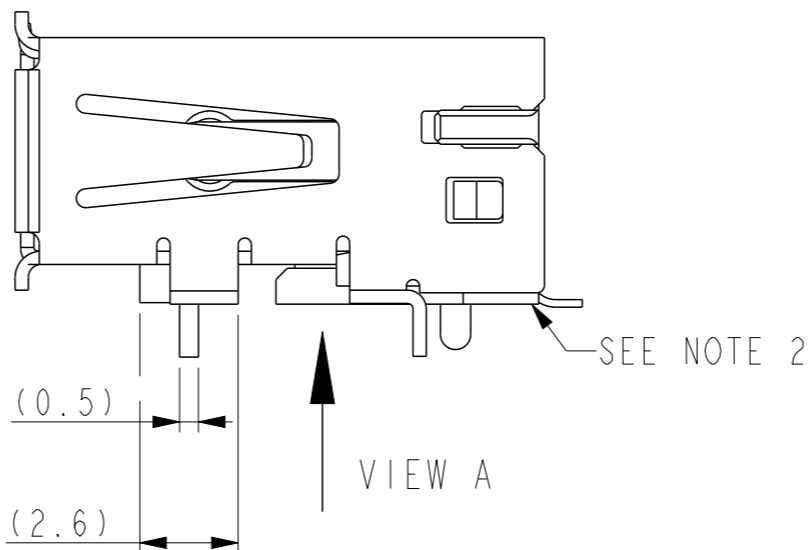
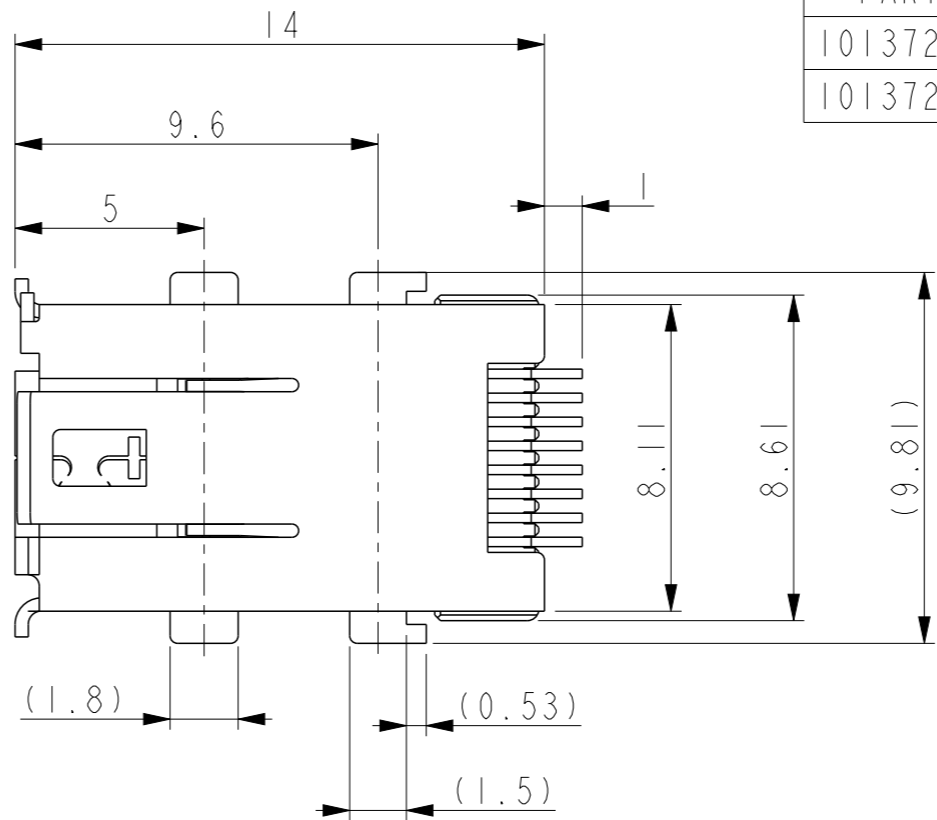
CIRCUIT NO.



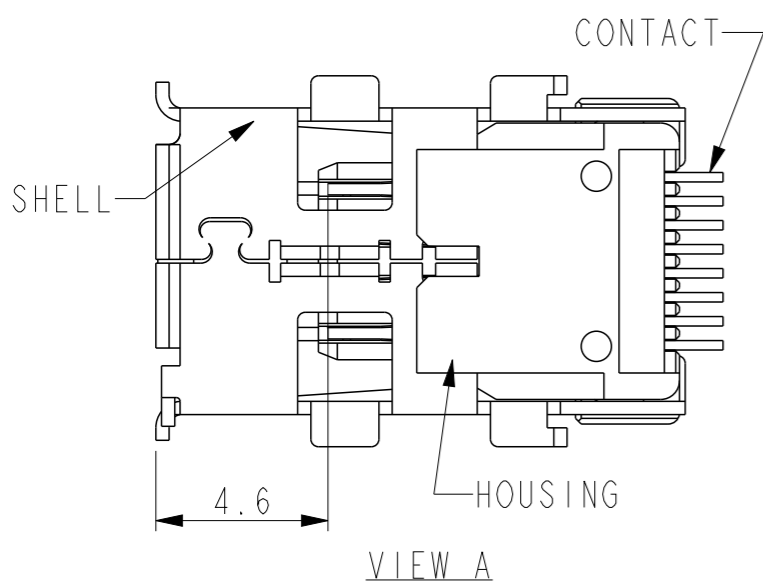
10137237-0010LF
D-SHAPE TYPE 1

8	6	4	2
7	5	3	1

CIRCUIT NO.



10137237-0010LF
D-SHAPE TYPE 1



VIEW A

spec ref	GS-12-1345	dr	A P Sawanth	2016/07/12	projection	mm	size	A3	scale	5:1
tolerance std	ISO 406 ISO 1101	eng	Mike Zhou	2017/08/14			ecn no	ELX-N-27705-1		
TOLERANCES UNLESS OTHERWISE SPECIFIED		chr	-	rel level			Released			
surface	linear	0.X	±0.3	Amphenol FCI	product family		rel level	Released		
		0.XX	±-		MINI I/O CONN		dwg no	10137237		
		0.XXX	±-		1.27mm PITCH 8P HDR ASSY		rev	C		
ISO 1302	angular	0°	±°	cat. no.	Product - Customer Drw		sheet 2 of 2			

Amphenol FCI

© 2016 AFCI