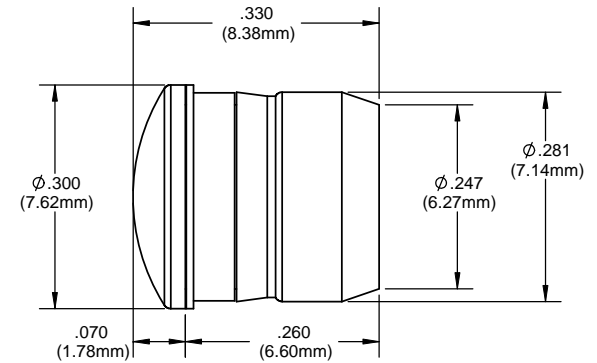
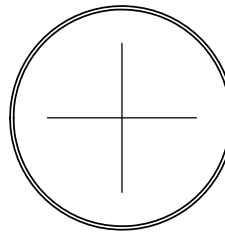
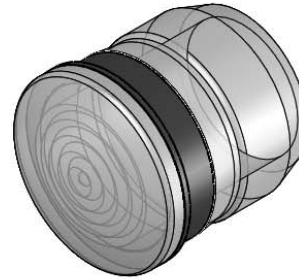
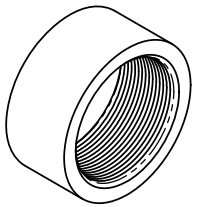


- NOTES:**
- MOUNTING:** Mounts in a  $\phi .281 \pm .002$  [ $\phi 7.13\text{mm} \pm .05$ ] panel hole on .375 [9.5mm] centers. Panel thickness .031 [0.8mm] to .125 [3.18mm]. Panel hole should be deburred, but not chamfered.
  - ASSEMBLY:** Insert lens through panel hole, slide RNG 268 retainer on back of lens. PCB mounted LEDs slide into lens when the panel cover is closed or the PCB card is inserted into the case.
  - MATERIAL:** Polycarbonate, UL 94-V2  
GLO Series- Polycarbonate & Acrylic blend  
Seal- TPE
  - Meets NEMA 4 standards
  - U.S. & Foreign Pat. Issued & Pend.

REVISIONS				
ECN#	REV.	DESCRIPTION	DATE	INITIALS
	1	ADD GLO SERIES. CHANGED ORDERING CODE FORMAT	4-21-09	AZ
	001	REVISED PER ECR111009AZ01	6/14/10	KH



**RETAINER  
(ORDER SEPARATELY)**

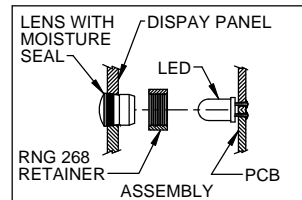


RNG 268

ORDERING CODE : **CMS 322 XXX**

MODEL

LENS COLOR	
RTP	RED TRANSPARENT
ATP	AMBER TRANSPARENT
GTP	GREEN TRANSPARENT
BTP	BLUE TRANSPARENT
YTP	YELLOW TRANSPARENT
CTP	CLEAR TRANSPARENT
GLO	WHITE TRANSLUCENT



<small>UNLESS OTHERWISE SPECIFIED DIMENSIONS ARE IN INCHES</small> ANGLES DECIMALS $\pm 1^\circ$ .X $\pm .020$ .XXX $\pm .010$ FINISH .XXX $\pm .005$ BREAK ALL CORNERS AND SHARP EDGES 90 DEGREE THIRD ANGLE PROJECTION <small>THE INFORMATION CONTAINED IN THIS DRAWING IS THE SOLE PROPERTY OF VISUAL COMMUNICATIONS COMPANY, INC. AND IS LOANED TO YOU AS A SINGLE COPY. IT IS NOT TO BE REPRODUCED OR TRANSMITTED IN ANY FORM OR BY ANY MEANS, ELECTRONIC OR MECHANICAL, INCLUDING PHOTOCOPYING, RECORDING, OR BY ANY INFORMATION STORAGE AND RETRIEVAL SYSTEM.</small>	MATERIAL SEE NOTES	<b>VISUAL COMMUNICATIONS COMPANY, INC.</b> 190 Bosstick Boulevard, Suite 101 San Marcos, CA 92069 USA Phone (760) 560-1300 Fax (760) 560-1301 email vccsales@vccite.com	
	FINISH SEE NOTES	<b>TITLE:</b> 5MM ROUND LOW PROFILE FRESNEL LENS W/SEAL	
APPROVAL	DATE	SIZE	DWG. NO.
DRAWN: K.Howard	6/14/10	<b>B</b>	<b>CMS 322 XXX</b>
CHECKED: DZ	6/14/10	REV	<b>001</b>
DO NOT SCALE DRAWING		SCALE: 6:1	SHEET 1 OF 1