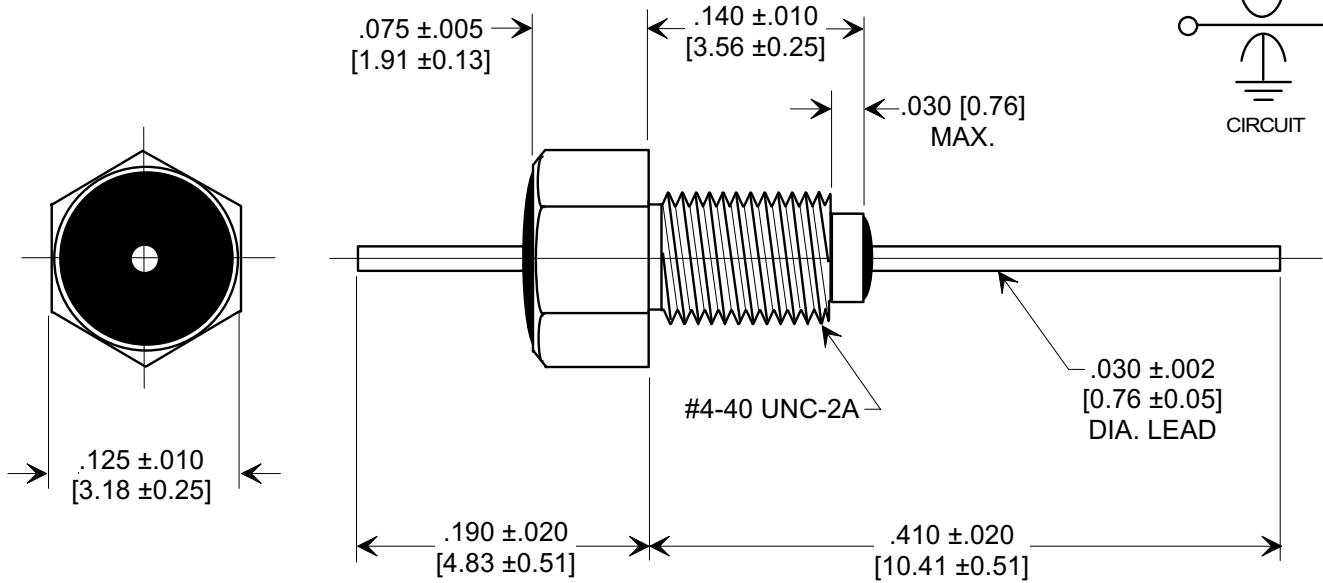
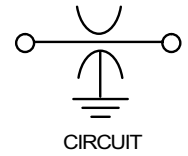
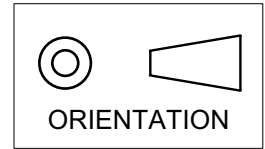


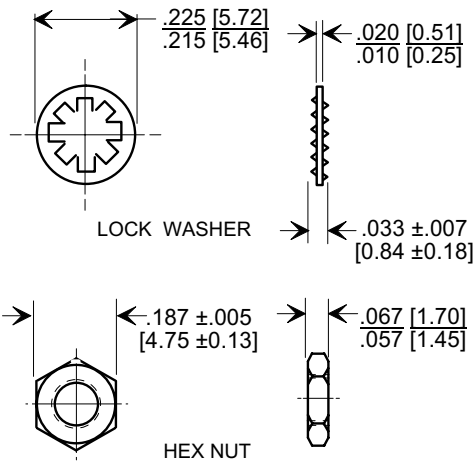
# MARKETING SALES DRAWING

**DIMENSIONS IN INCHES - DO NOT SCALE THIS DRAWING**  
**DIMENSIONS IN METRIC - [ ]**

Electrical Testing  
 per Tusonix standard  
 test plans and Mil-Std-202  
 Test Methods.



## MOUNTING HARDWARE



## NOTES:

1. OPERATING TEMPERATURE RANGE: -55°C TO +125°C.
2. SILVER PLATED CASE, LEAD AND MOUNTING HARDWARE.
3. MAX. RECOMMENDED MOUNTING TORQUE : 2.0 lb. - in.
4. MAX. RECOMMENDED SOLDERING TEMPERATURE : 260°C.  
SEE INSTALLATION RECOMMENDATIONS.
5. NUT AND LOCKWASHER INCLUDED.
6. TUSONIX STANDARD PART NUMBER: 4403-037.  
TUSONIX RoHS COMPLIANT PART NUMBER: 4403-037 LF.  
CUSTOMER MUST SPECIFY STANDARD OR RoHS PART NUMBER WHEN ORDERING.
7. PART MARKING: TRADEMARK AND VARIATION NUMBER ON HEX FLATS.  
STANDARD PART: BLACK INK. RoHS PART: GREEN INK.

|          |           |                    |         |                   |       |        |         |       |        |
|----------|-----------|--------------------|---------|-------------------|-------|--------|---------|-------|--------|
| 1,000    | GMV       | 300                | 200     | 10                | ---   | 5      | 20      | 35    | 45     |
| CAP.(pf) | TOLERANCE | +85 °C             | +125 °C | DC CURRENT (AMPS) | 1 MHz | 10 MHz | 100 MHz | 1 GHz | 10 GHz |
|          |           | DC WORKING VOLTAGE |         |                   |       |        |         |       |        |

|                        |                                      |          |  |             |                                   |                      |                                 |                      |   |                |       |               |       |
|------------------------|--------------------------------------|----------|--|-------------|-----------------------------------|----------------------|---------------------------------|----------------------|---|----------------|-------|---------------|-------|
| <b>REVISION RECORD</b> | Original Release<br>C.O. <b>6965</b> | <b>0</b> | -040 & -680 ADDED, DC WAS5.<br>E.C. 11-20-92 | <b>7052</b> | RDN TO COMP FMT.<br>S.M. 07-16-02 | <b>20020715-1-25</b> | REVISED NOTES.<br>S.M. 08-01-05 | <b>20050718-2-02</b> | --TOLERANCES--<br>Unless Otherwise Specified              |                | Title |               |       |
|                        | DECIMAL ± NOTED                      |          |  |             |                                   |                      |                                 |                      | <b>MINI BUSHING<br/>                 STYLE EMI FILTER</b> |                |       |               |       |
|                        | ANGLES ± NOTED                       |          |  |             |                                   |                      |                                 |                      |   |                | Drawn | S.M. 06-10-02 | Scale |
|                        | <b>TUSONIX</b><br>TUCSON, ARIZONA    |          |  |             |                                   |                      |                                 |                      | Approved  | J.Mc. 06-10-02 |       | <b>A</b>      |       |