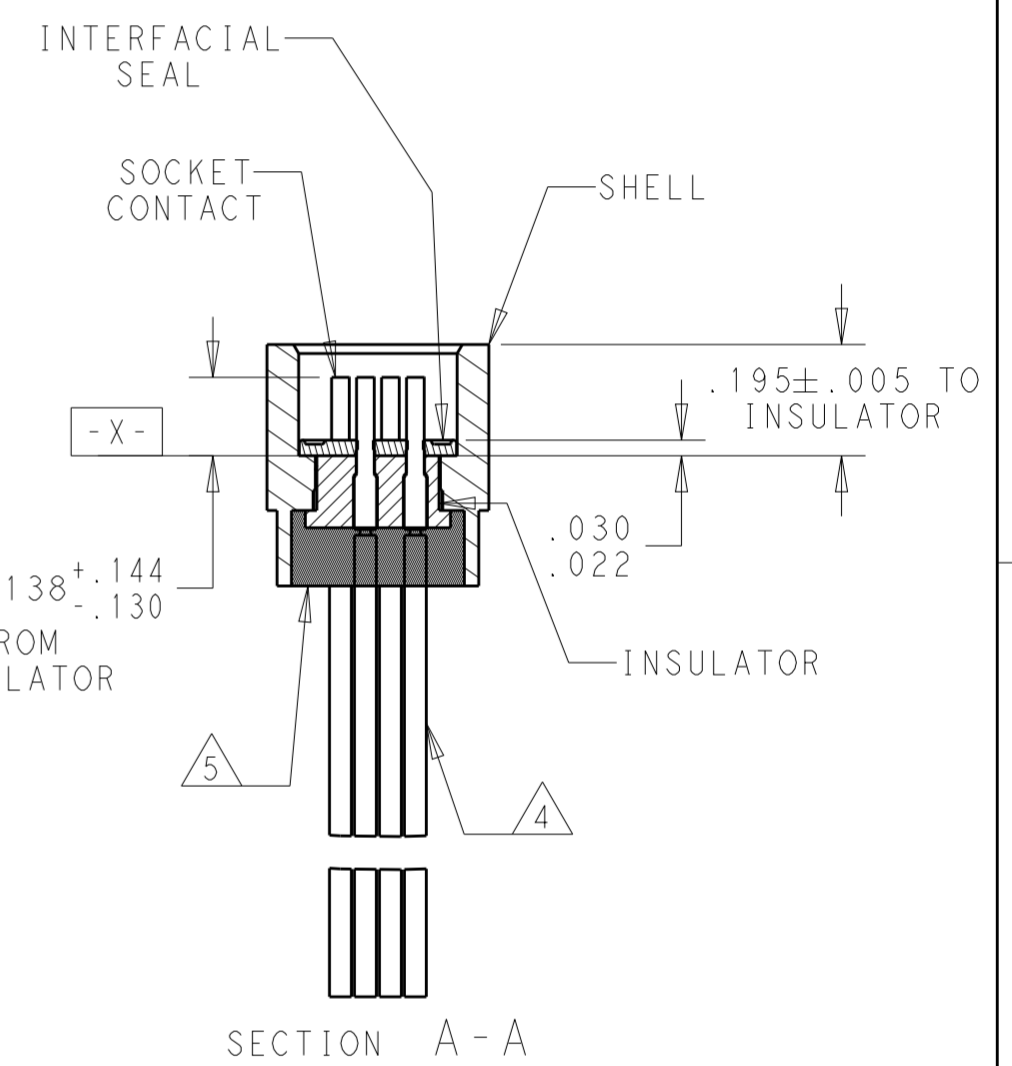
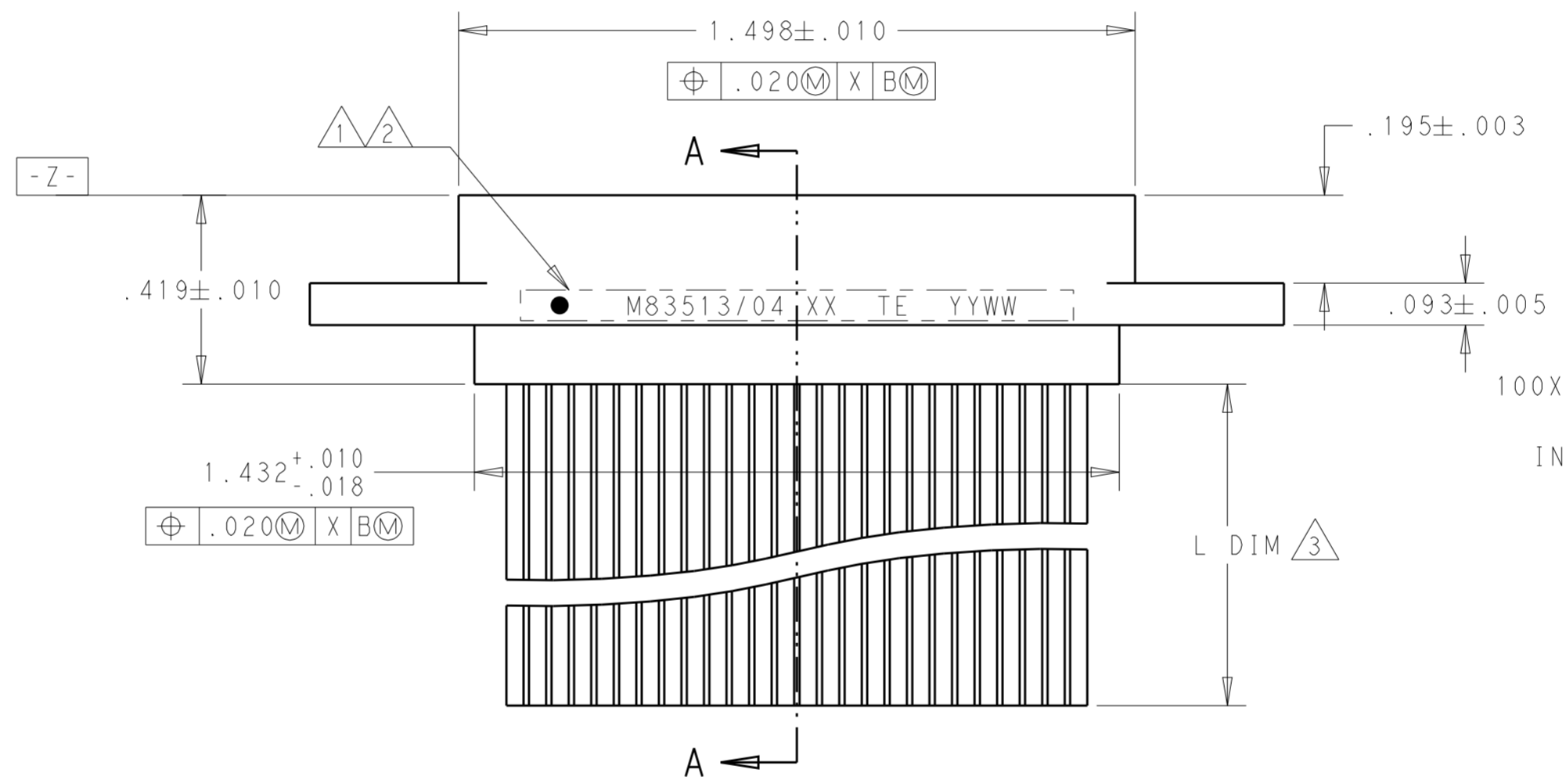
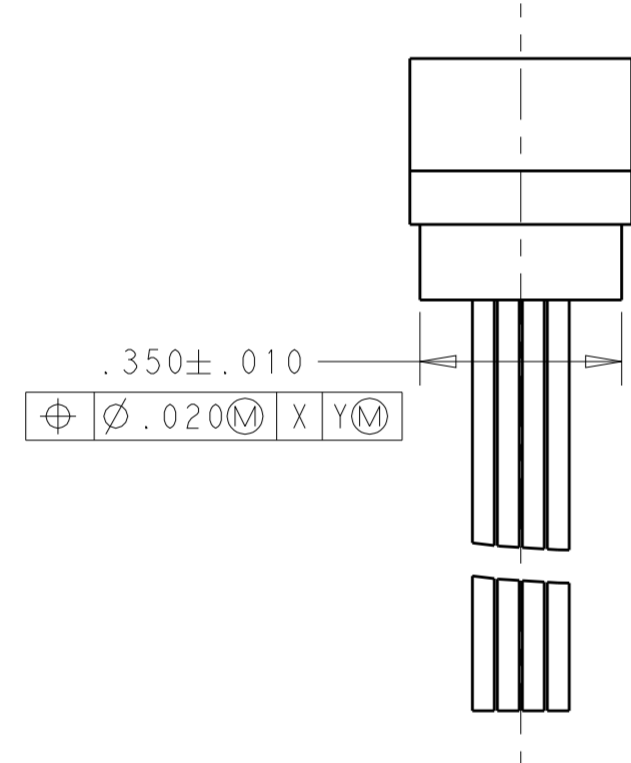
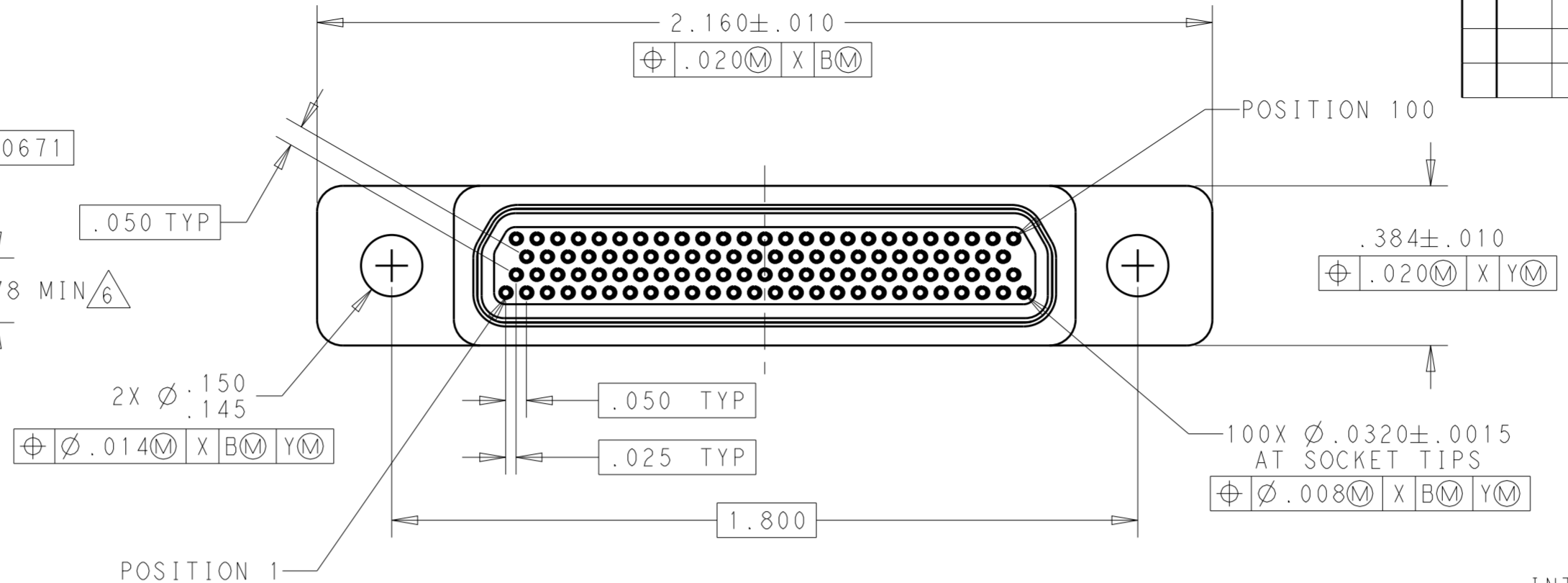


THIS DRAWING IS UNPUBLISHED. RELEASED FOR PUBLICATION 20  
 © COPYRIGHT 20 BY - ALL RIGHTS RESERVED.

| REVISIONS |     |                          |           |       |
|-----------|-----|--------------------------|-----------|-------|
| P         | LTR | DESCRIPTION              | DATE      | APVD  |
| B         |     | UPDATE PER ECO-16-005875 | 20APR2016 | DS CS |



INTERFACE DETAIL



SECTION A-A

- 1 CONNECTOR SHALL BE MARKED IN ACCORDANCE WITH METHOD 1 OF MIL-STD-1285. MARKING SHALL CONTAIN THE MILITARY PIN, CAGE CODE (OR TE), AND DATE CODE. EXAMPLE: M83513/04-XXXX TE YYWW (WHERE XXXX IS PART OF THE PIN SHOWN IN THE "MIL-DTL-83513" COLUMN OF THE PART NUMBER TABLE, AND YYWW IS THE DATE CODE). TEXT HEIGHT SHALL BE .035 INCH MINIMUM.
- 2 POSITION 1 SHALL BE INDICATED BY AN IDENTIFIABLE MARK, LOCATED APPROXIMATELY AS SHOWN ON THE POSITION 1 SIDE OF THE CONNECTOR FLANGE. THIS MARK SHALL BE INCLUDED AS PART OF THE PART MARKING INFORMATION.
- 3 LENGTH IS SHOWN IN THE "L DIM" COLUMN OF THE PART NUMBER TABLE. LENGTH TOLERANCE IS +1.0/-0.0 FOR INSULATED WIRE TERMINATIONS, AND +0.20/-0.00 FOR UNINSULATED WIRE TERMINATIONS.
- 4 INSULATED WIRE IS SHOWN FOR REFERENCE ONLY. PART MAY BE TERMINATED WITH INSULATED OR UNINSULATED WIRE ACCORDING TO THE PART NUMBER TABLE.
- 5 EPOXY ENCAPSULATION. EPOXY MAY WICK .125 INCH MAX FOR INSULATED WIRE, AND .050 INCH MAX FOR UNINSULATED WIRE.
- 6 THIS DIMENSION IS THE THEORETICAL INTERSECTION OF THE TWO ADJACENT SIDES OF THE INTERFACE
- 7 ALL DIMENSIONS AND REQUIREMENTS ARE PER MIL-DTL-83513/4


|  |  |                    |           |                              |  |
|--|--|--------------------|-----------|------------------------------|--|
| THIS DRAWING IS A CONTROLLED DOCUMENT. |  | DWN<br>B ROMANCHUK | 03SEP2008 | TE Connectivity              |  |
| DIMENSIONS:<br>IN                      |  | CHK<br>-           | -         |                              |  |
| TOLERANCES UNLESS OTHERWISE SPECIFIED: |  | APVD<br>M STORRY   | 03SEP2008 | NAME<br>RECEPTACLE ASSEMBLY  |  |
| 0 PLC ±                                |  | PRODUCT SPEC       |           | MICRO-D PER MIL-DTL-83513/04 |  |
| 1 PLC ±.010                            |  | APPLICATION SPEC   |           | MCKS SERIES, 100 POSITION    |  |
| 2 PLC ±.005                            |  | -                  |           | SIZE CAGE CODE DRAWING NO    |  |
| 3 PLC ±                                |  | WEIGHT             |           | A298278 C-1532178            |  |
| 4 PLC ±                                |  | CUSTOMER DRAWING   |           | RESTRICTED TO                |  |
| 5 ANGLE ±1°                            |  | SCALE 3:1          |           | SHEET 1 OF 2                 |  |
| 6 FINISH                               |  | REV B              |           |                              |  |
| MATERIAL<br>SEE NOTES                  |  |                    |           |                              |  |

THIS DRAWING IS UNPUBLISHED. RELEASED FOR PUBLICATION 20  
 © COPYRIGHT 20 BY - ALL RIGHTS RESERVED.

| REVISIONS |     |             |      |      |
|-----------|-----|-------------|------|------|
| P         | LTR | DESCRIPTION | DATE | APVD |
|           |     | SEE SHEET 1 |      |      |
|           |     |             |      |      |
|           |     |             |      |      |

| TE PART NUMBER | L DIM | MIL-DTL-83513 PIN | MICRODOT P/N  | MCKS DESCRIPTION       |
|----------------|-------|-------------------|---------------|------------------------|
| 1532178-1      | 18    | M83513/04-H01N    | 094-6926-0001 | MCKS-N1-B-100S6G1-18.0 |
| 1532178-2      | 36    | M83513/04-H02N    | 094-6926-0002 | MCKS-N1-B-100S6G1-36.0 |
| 1532178-3      | 18    | M83513/04-H03N    | 094-6926-0003 | MCKS-N1-B-100S6G9-18.0 |
| 1532178-4      | 36    | M83513/04-H04N    | 094-6926-0004 | MCKS-N1-B-100S6G9-36.0 |
| 1532178-5      | 18    | M83513/04-H09N    | 094-6926-0009 | MCKS-N1-B-100S6Q1-18.0 |
| 1532178-6      | 36    | M83513/04-H10N    | 094-6926-0010 | MCKS-N1-B-100S6Q1-36.0 |
| 1532178-7      | 18    | M83513/04-H11N    | 094-6926-0011 | MCKS-N1-B-100S6Q9-18.0 |
| 1532178-8      | 36    | M83513/04-H12N    | 094-6926-0012 | MCKS-N1-B-100S6Q9-36.0 |
| 1532178-9      | 72    | M83513/04-H13N    | 094-6926-0013 | MCKS-N1-B-100S6G1-72.0 |
| 1-1532178-0    | 72    | M83513/04-H14N    | 094-6926-0014 | MCKS-N1-B-100S6G9-72.0 |
| 1-1532178-1    | 72    | M83513/04-H15N    | 094-6926-0015 | MCKS-N1-B-100S6Q1-72.0 |
| 1-1532178-2    | 72    | M83513/04-H16N    | 094-6926-0016 | MCKS-N1-B-100S6Q9-72.0 |
| 1-1532178-3    | 72    | M83513/04-H13C    | 094-6936-0013 | MCKS-C2-B-100S6G1-72.0 |
| 1-1532178-4    | 0.5   | M83513/04-H05N    | 094-6926-0005 | MCKS-N1-B-100S5L4-0.5  |
| 1-1532178-5    | 1.0   | M83513/04-H06N    | 094-6926-0006 | MCKS-N1-B-100S5L4-1.0  |
| 1-1532178-6    | 0.5   | M83513/04-H07N    | 094-6926-0007 | MCKS-N1-B-100S5L5-0.5  |
| 1-1532178-7    | 1.0   | M83513/04-H08N    | 094-6926-0008 | MCKS-N1-B-100S5L5-1.0  |
| 1-1532178-8    | 18    | M83513/04-H01C    | 094-6936-0001 | MCKS-C2-B-100S6G1-18.0 |
| 1-1532178-9    | 36    | M83513/04-H02C    | 094-6936-0002 | MCKS-C2-B-100S6G1-36.0 |
| 2-1532178-0    | 18    | M83513/04-H03C    | 094-6936-0003 | MCKS-C2-B-100S6G9-18.0 |
| 2-1532178-1    | 36    | M83513/04-H04C    | 094-6936-0004 | MCKS-C2-B-100S6G9-36.0 |
| 2-1532178-2    | 0.5   | M83513/04-H05C    | 094-6936-0005 | MCKS-C2-B-100S5L4-0.5  |
| 2-1532178-3    | 1.0   | M83513/04-H06C    | 094-6936-0006 | MCKS-C2-B-100S5L4-1.0  |
| 2-1532178-4    | 0.5   | M83513/04-H07C    | 094-6936-0007 | MCKS-C2-B-100S5L5-0.5  |
| 2-1532178-5    | 1.0   | M83513/04-H08C    | 094-6936-0008 | MCKS-C2-B-100S5L5-1.0  |
| 2-1532178-6    | 18    | M83513/04-H09C    | 094-6936-0009 | MCKS-N1-B-100S6Q1-18.0 |
| 2-1532178-7    | 36    | M83513/04-H10C    | 094-6936-0010 | MCKS-N1-B-100S6Q1-36.0 |
| 2-1532178-8    | 18    | M83513/04-H11C    | 094-6936-0011 | MCKS-N1-B-100S6Q9-18.0 |
| 2-1532178-9    | 36    | M83513/04-H12C    | 094-6936-0012 | MCKS-N1-B-100S6Q9-36.0 |
| 3-1532178-0    | 72    | M83513/04-H14C    | 094-6936-0014 | MCKS-N1-B-100S6G9-72.0 |
| 3-1532178-1    | 72    | M83513/04-H15C    | 094-6936-0015 | MCKS-N1-B-100S6Q1-72.0 |
| 3-1532178-2    | 72    | M83513/04-H16C    | 094-6936-0016 | MCKS-N1-B-100S6Q9-72.0 |

| TE PART NUMBER | L DIM | MIL-DTL-83513 PIN | MICRODOT P/N  | MCKS DESCRIPTION       |
|----------------|-------|-------------------|---------------|------------------------|
| 3-1532178-3    | 18    | M83513/04-H01P    | 094-6946-0001 | MCKS-P1-B-100S6G1-18.0 |
| 3-1532178-4    | 36    | M83513/04-H02P    | 094-6946-0002 | MCKS-P1-B-100S6G1-36.0 |
| 3-1532178-5    | 18    | M83513/04-H03P    | 094-6946-0003 | MCKS-P1-B-100S6G9-18.0 |
| 3-1532178-6    | 36    | M83513/04-H04P    | 094-6946-0004 | MCKS-P1-B-100S6G9-36.0 |
| 3-1532178-7    | 0.5   | M83513/04-H05P    | 094-6946-0005 | MCKS-P1-B-100S5L4-0.5  |
| 3-1532178-8    | 1.0   | M83513/04-H06P    | 094-6946-0006 | MCKS-P1-B-100S5L4-1.0  |
| 3-1532178-9    | 0.5   | M83513/04-H07P    | 094-6946-0007 | MCKS-P1-B-100S5L5-0.5  |
| 4-1532178-0    | 1.0   | M83513/04-H08P    | 094-6946-0008 | MCKS-P1-B-100S5L5-1.0  |
| 4-1532178-1    | 18    | M83513/04-H09P    | 094-6946-0009 | MCKS-P1-B-100S6Q1-18.0 |
| 4-1532178-2    | 36    | M83513/04-H10P    | 094-6946-0010 | MCKS-P1-B-100S6Q1-36.0 |
| 4-1532178-3    | 18    | M83513/04-H11P    | 094-6946-0011 | MCKS-P1-B-100S6Q9-18.0 |
| 4-1532178-4    | 36    | M83513/04-H12P    | 094-6946-0012 | MCKS-P1-B-100S6Q9-36.0 |
| 4-1532178-5    | 72    | M83513/04-H13P    | 094-6946-0013 | MCKS-P1-B-100S6G1-72.0 |
| 4-1532178-6    | 72    | M83513/04-H14P    | 094-6946-0014 | MCKS-P1-B-100S6G9-72.0 |
| 4-1532178-7    | 72    | M83513/04-H15P    | 094-6946-0015 | MCKS-P1-B-100S6Q1-72.0 |
| 4-1532178-8    | 72    | M83513/04-H16P    | 094-6946-0016 | MCKS-P1-B-100S6Q9-72.0 |

|   |  |                       |           |   |                    |
|---|--|-----------------------|-----------|---|--------------------|
| THIS DRAWING IS A CONTROLLED DOCUMENT.                      |  | DWN<br>B ROMANCHUK    | 03SEP2008 |  TE Connectivity |                    |
| DIMENSIONS:<br>IN   |  | CHK<br>-              | -         |   |                    |
| TOLERANCES UNLESS OTHERWISE SPECIFIED:                      |  | APVD<br>M. STORRY     | 03SEP2008 | NAME<br>RECEPTACLE ASSEMBLY   |                    |
| 0 PLC ±<br>1 PLC ±<br>2 PLC ±.010<br>3 PLC ±.005<br>4 PLC ± |  | PRODUCT SPEC<br>-     | -         | MICRO-D PER MIL-DTL-83513/04  |                    |
| ANGLES ±1°  |  | APPLICATION SPEC<br>- | -         | MCKS SERIES, 100 POSITION   |                    |
| FINISH  |  | WEIGHT<br>-           | -         | SIZE<br>A2  | CAGE CODE<br>98278 |
| MATERIAL<br>SEE NOTES                                       |  | CUSTOMER DRAWING      |           | DRAWING NO<br>G-1532178   | RESTRICTED TO<br>- |
|   |  |                       |           | SCALE<br>3:1  | SHEET<br>2 OF 2    |
|   |  |                       |           | REV<br>B  |                    |